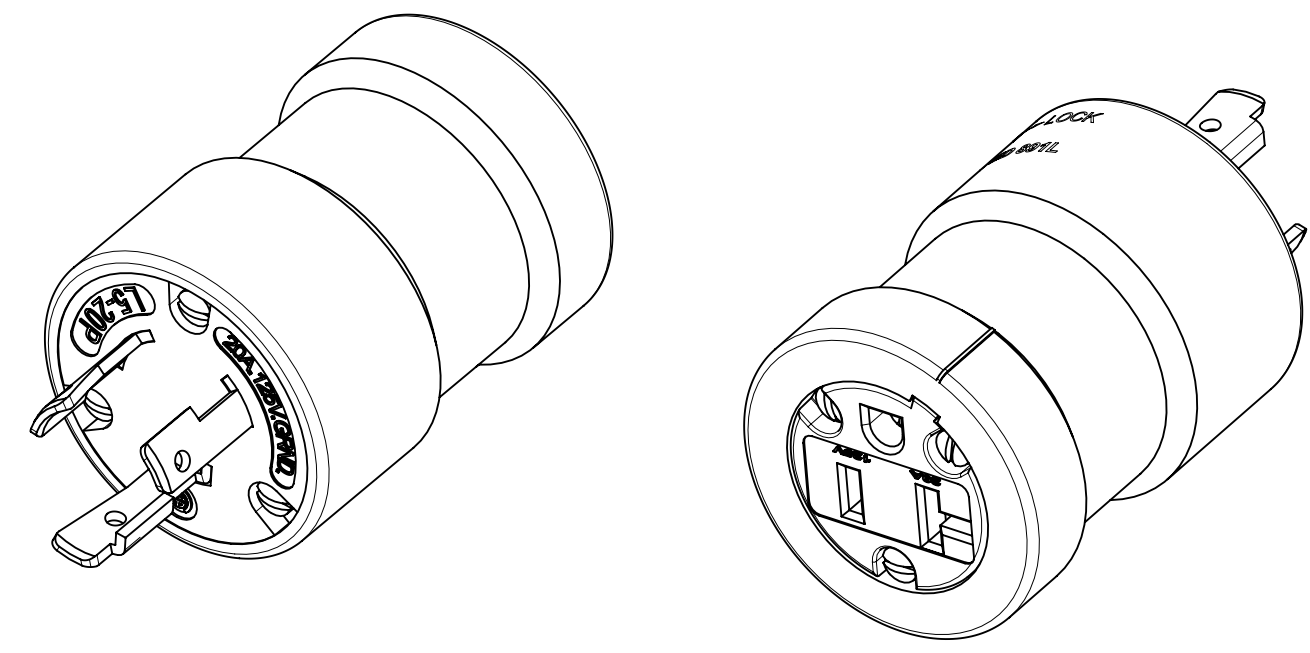
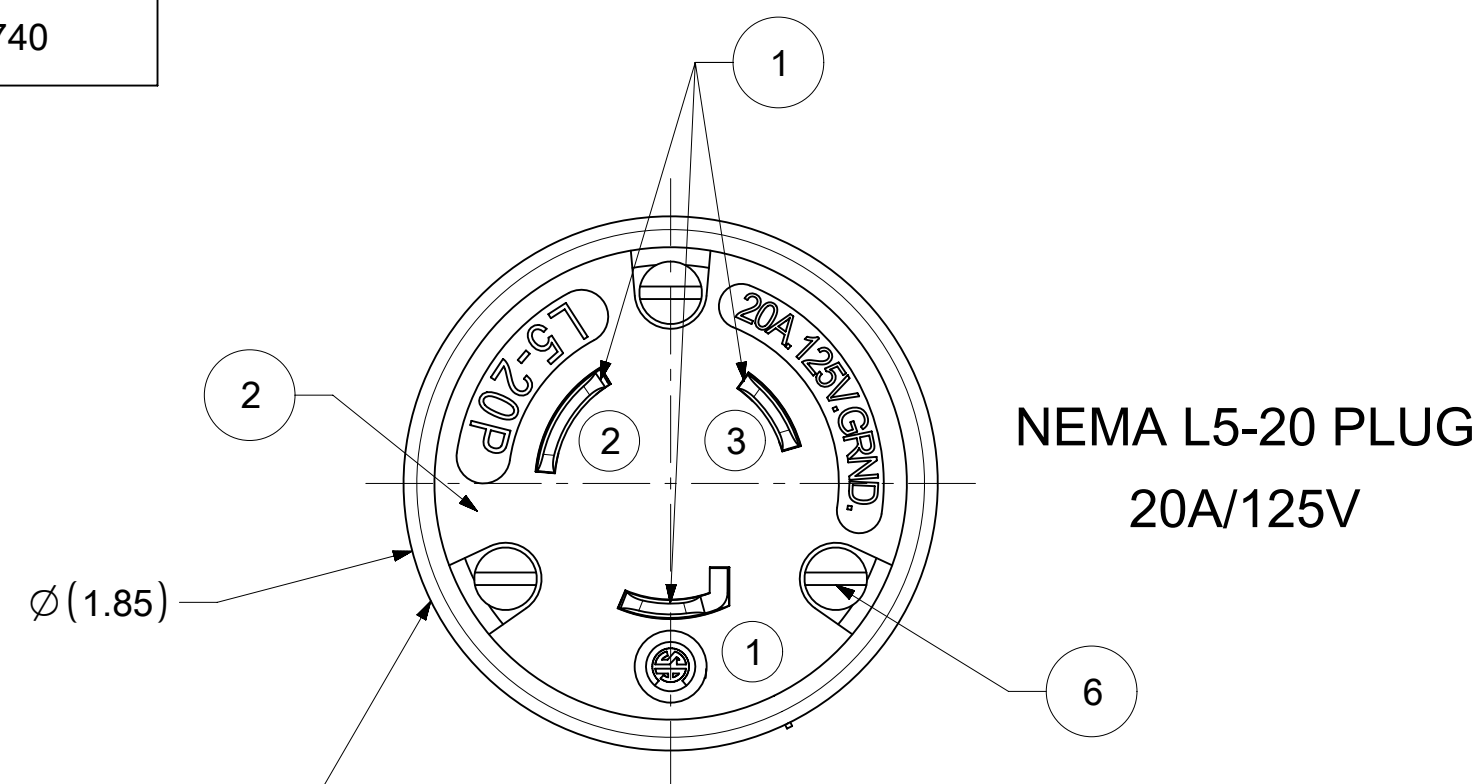
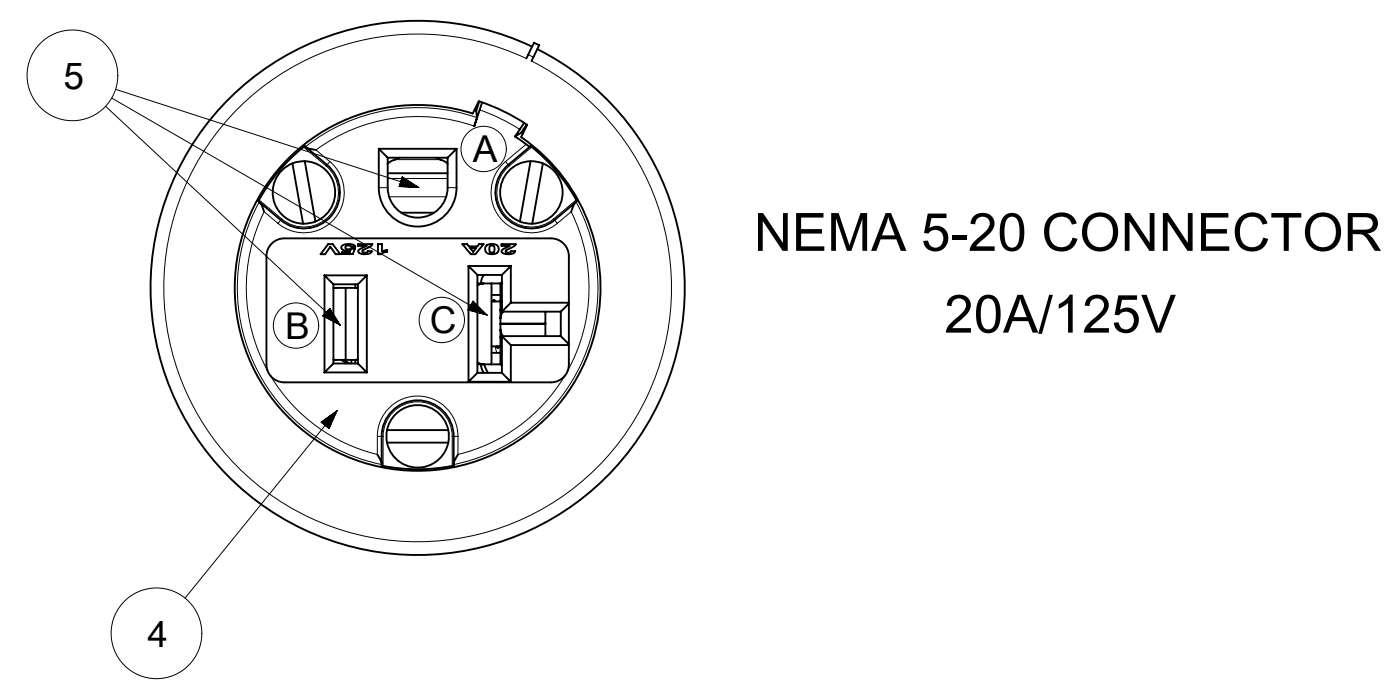
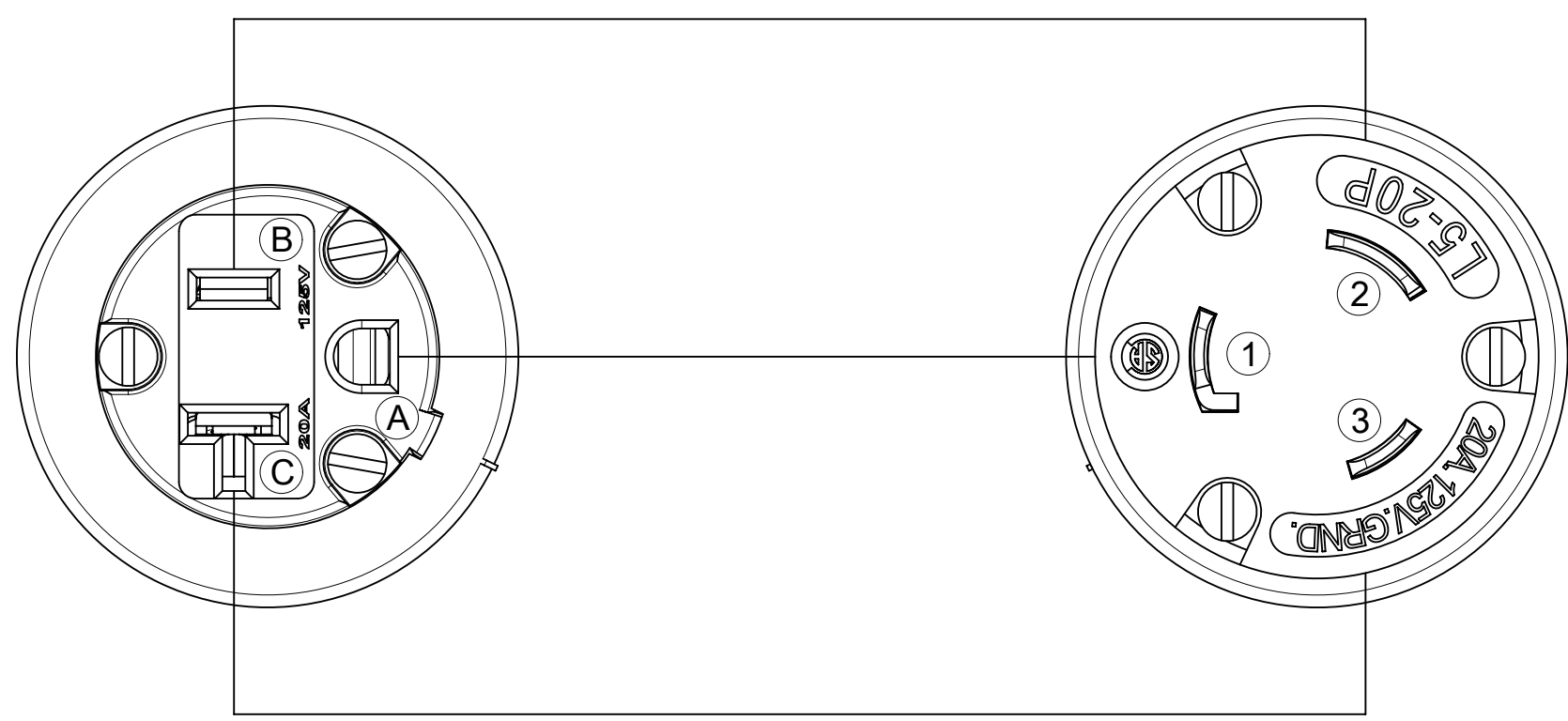
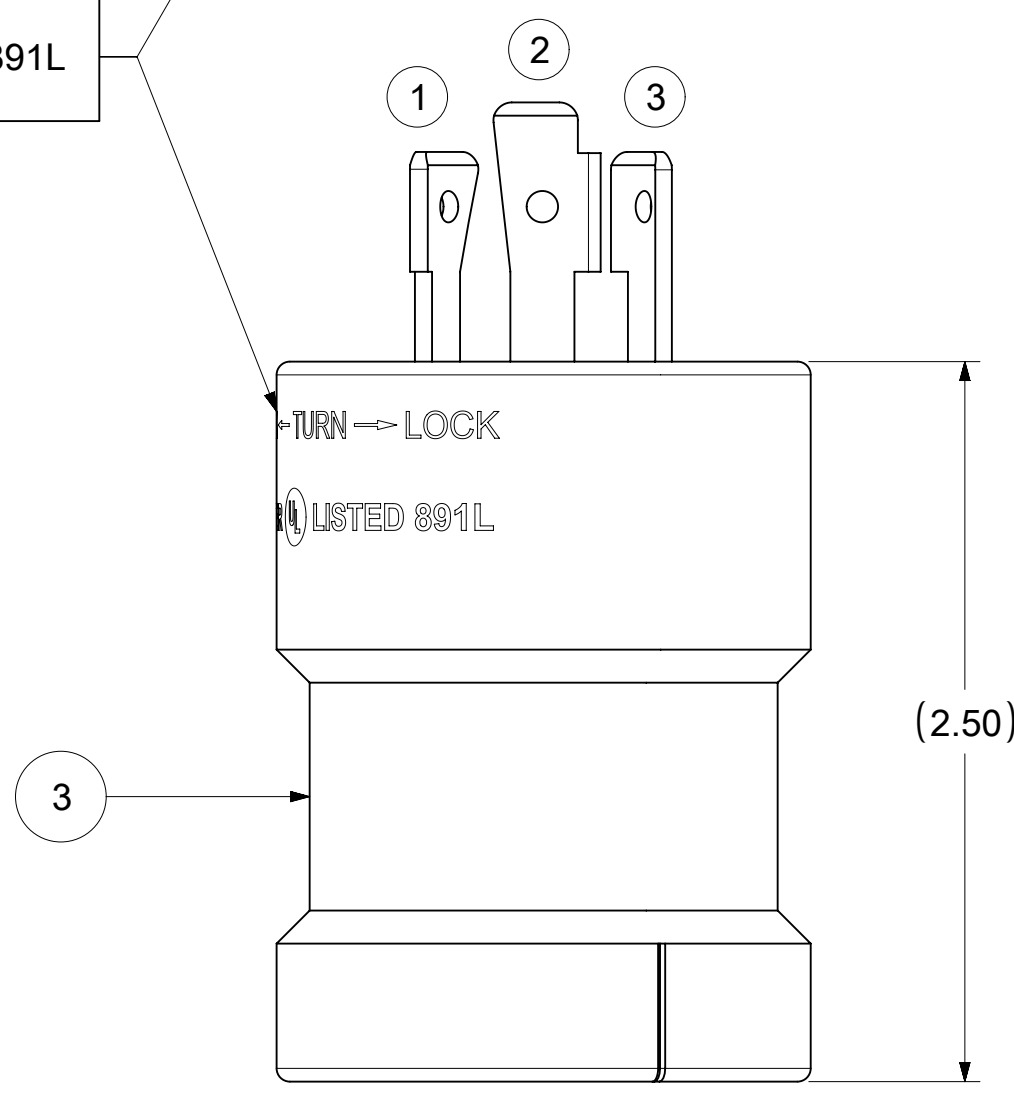


MATERIAL NUMBER	ENGINEERING NUMBER
1301510023	1740



ADAPTER LISTED 891L



ITEM NO.	DESCRIPTIONS	MATERIAL	QTY.
1	MALE BLADES	BRASS	3
2	INSERT, MALE	NYLON	1
3	HOUSING, YELLOW	RUBBER	1
4	INSERT, FEMALE	POLYCARBONATE	1
5	RECEPTACLES BLADES	PHOSPHOR BRONZE	3
6	SCREW	STEEL	6

FUNCTIONAL SYMBOLS	THIS DRAWING CONTAINS INFORMATION THAT IS PROPRIETARY TO MOLEX ELECTRONIC TECHNOLOGIES, LLC AND SHOULD NOT BE USED WITHOUT WRITTEN PERMISSION						
	DIMENSION UNITS	SCALE			CURRENT REV DESC: NEW SALES DRAWING CREATED		
$\nabla_A = 0$	INCH	NTS	EC NO: 655088	<b>ADAPTER L5-20P TO 5-20R</b>			
$\nabla_E = 0$	GENERAL TOLERANCES (UNLESS SPECIFIED)		DRWN: PPURSUTANDEL 2021/01/08				
$\nabla_P = 0$	ANGULAR TOL ± °		CHK'D: VOU 2022/06/06	<b>PRODUCT CUSTOMER DRAWING</b>			
DIVISIONAL SYMBOLS	4 PLACES ±		APPR: HKNEELAND 2022/06/07				
	3 PLACES ±		INITIAL REVISION:	DOCUMENT NUMBER	DOC TYPE	DOC PART	REVISION
	2 PLACES ±		DRWN: PPURSUTANDEL 2021/01/08	1301510023	PSD	000	A
	1 PLACE ±		APPR: HKNEELAND 2022/06/07	MATERIAL NUMBER	CUSTOMER		SHEET NUMBER
	0 PLACES ±		DRAFT WHERE APPLICABLE MUST REMAIN WITHIN DIMENSIONS	SEE TABLE	GENERAL MARKET		1 OF 1
	THIRD ANGLE PROJECTION		DRAWING	C-SIZE	SERIES		
					130151		