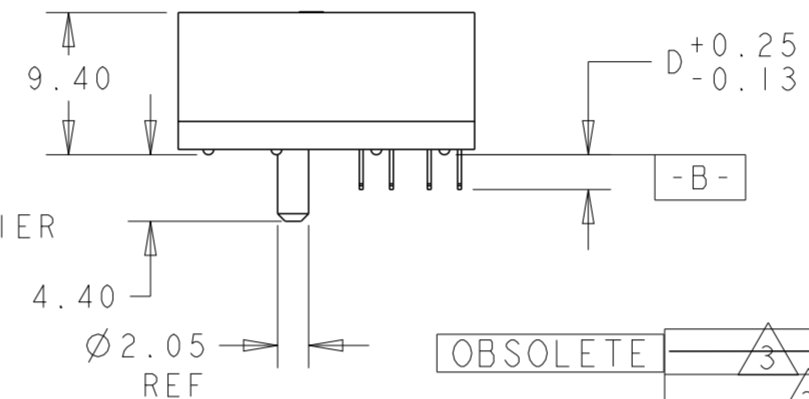
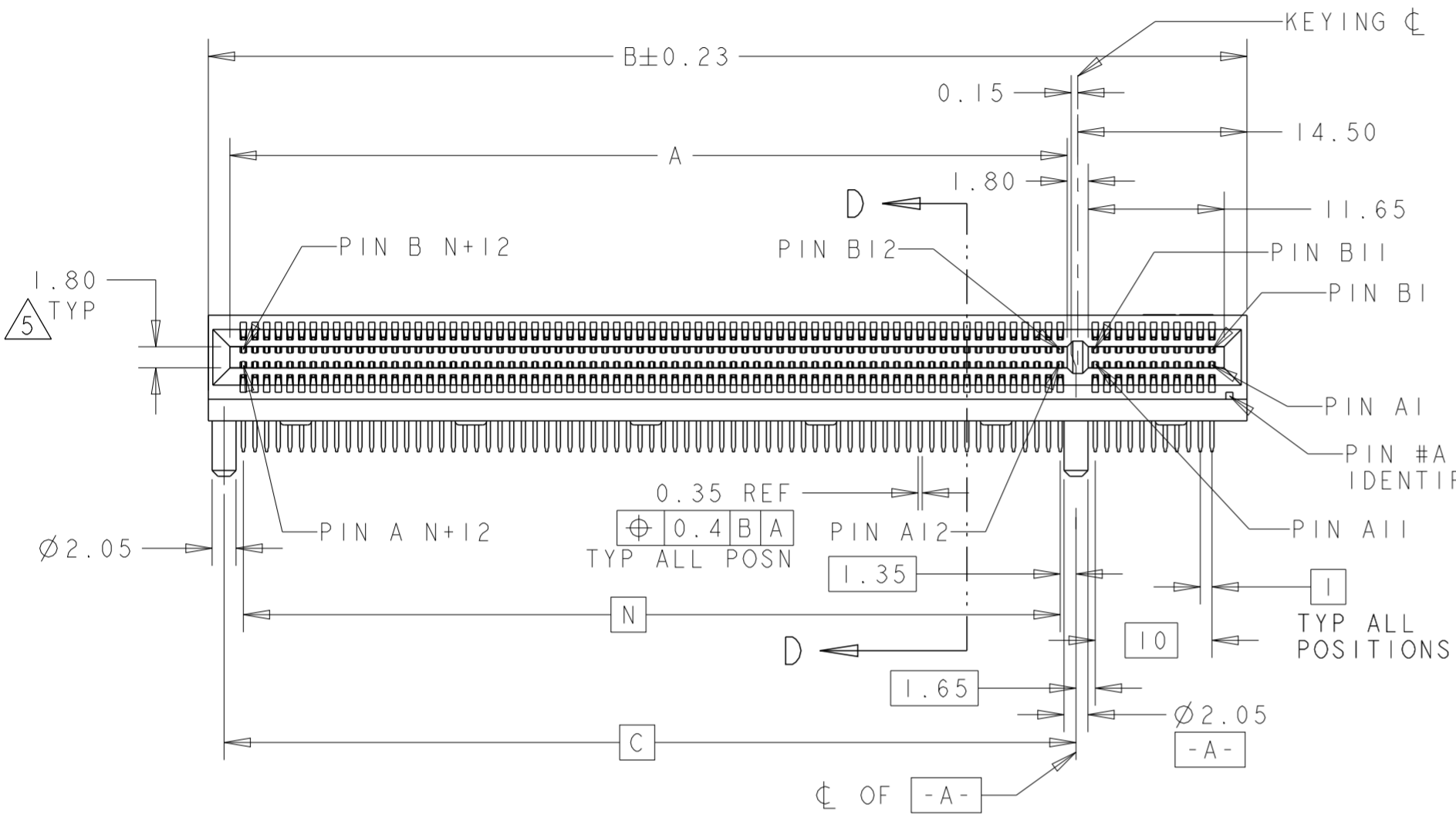
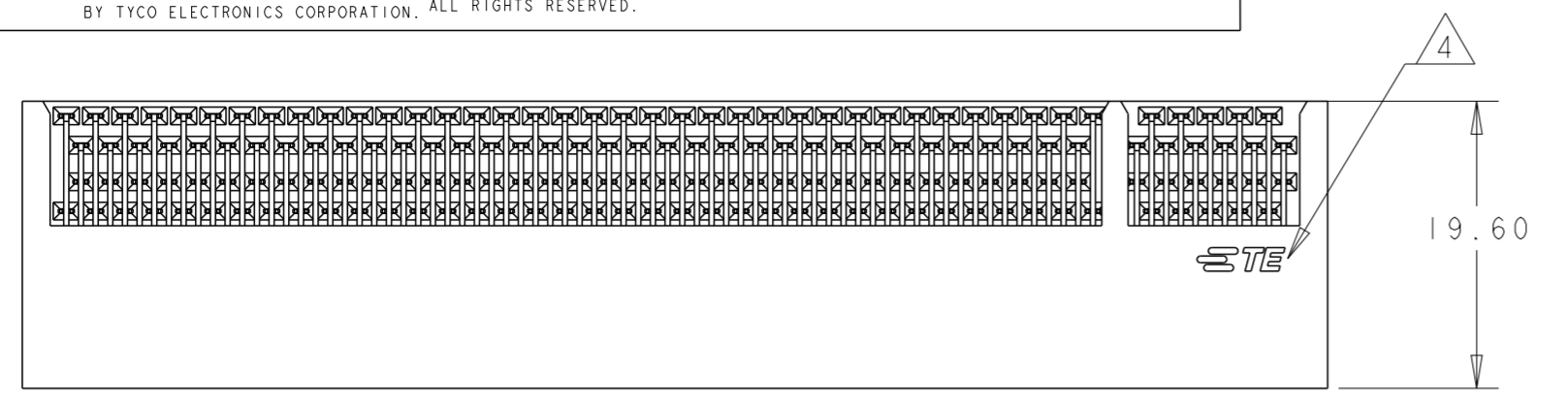
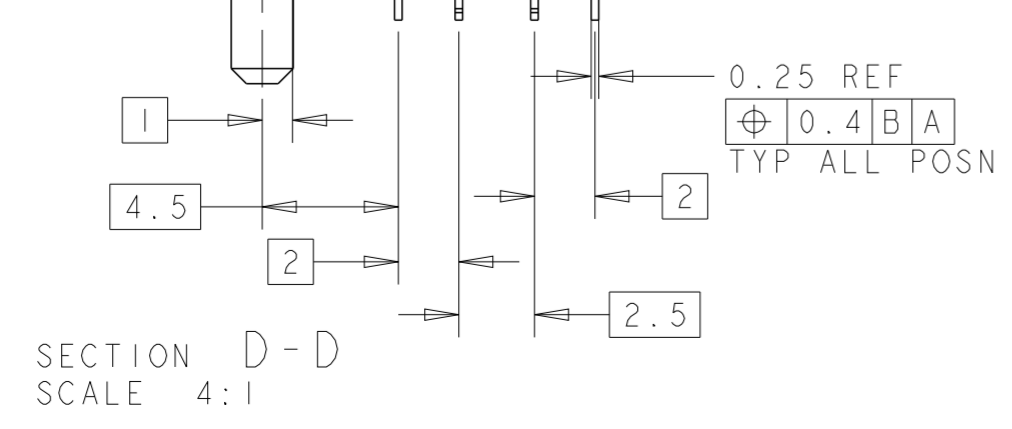
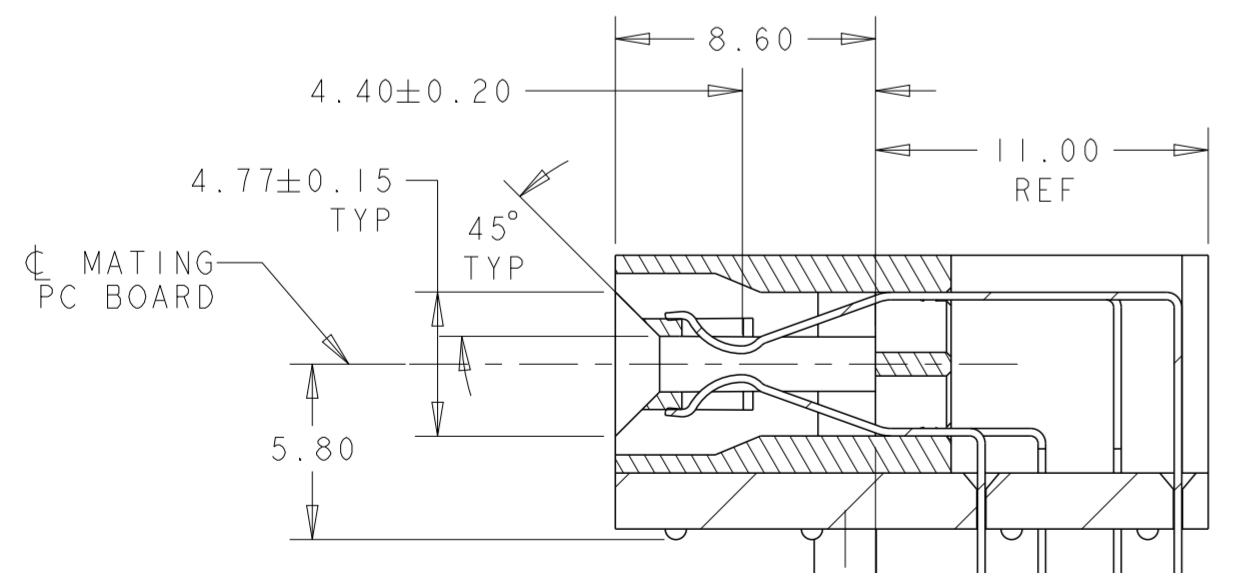
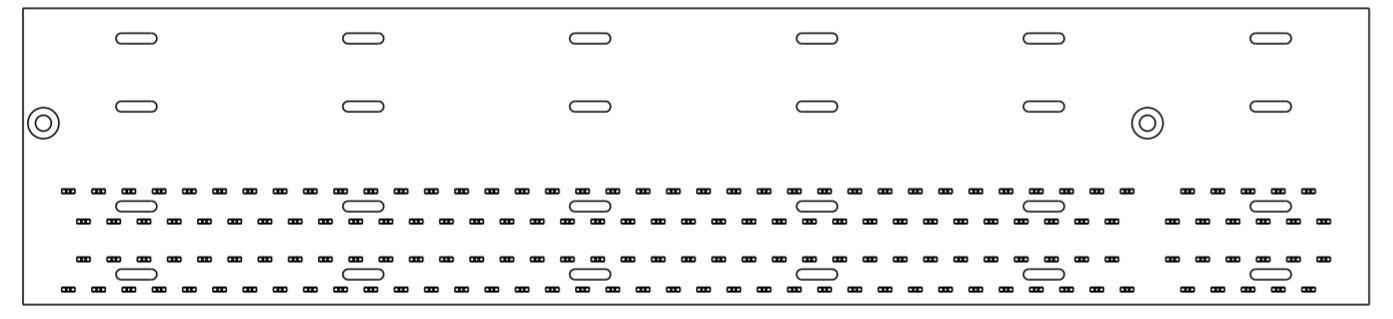


THIS DRAWING IS UNPUBLISHED. RELEASED FOR PUBLICATION 20  
COPYRIGHT 20 BY TYCO ELECTRONICS CORPORATION. ALL RIGHTS RESERVED.

LOC	DIST	REVISIONS					
GP	00	P	LTR	DESCRIPTION	DATE	DWN	APVD
		D		ECO-18-018985	17DEC2018	FL	HL
		D1		OBSOLETE 280POS (ECO-19-012723)	17DEC2019	AL	HL



- 1 MATERIAL: HOUSING: HIGH TEMP NYLON, UL 94V-0  
COLOR: BLACK  
TINE PLATE: LCP, UL 94V-0,  
COLOR: BLACK.  
CONTACT: PHOSPHOR BRONZE
- 2 FINISH: CONTACT AREA: GOLD PLATE 0.76µm MIN THICK OVER NICKEL UNDERPLATE.  
TINE AREA: TIN PLATE OVER NICKEL UNDERPLATE.
- 3 FINISH: CONTACT AREA: GOLD PLATE 0.38µm MIN THICK OVER NICKEL UNDERPLATE.  
TINE AREA: TIN PLATE OVER NICKEL UNDERPLATE.
- 4 COMPANY LOGO IN APPROXIMATE AREA SHOWN.
- 5 SLOT ACCEPTS STANDARD 1.57mm±10% THICK ADD-IN CARD.



OBSOLETE	3	128.00	130.15	3.56	131.15	147.00	129.65	280			5-1761465-5
	3	70.00	72.15	3.56	73.15	89.00	71.65	164	16		5-1761465-4
	3	37.00	39.15	3.56	40.15	56.00	38.65	98	8		5-1761465-3
	3	20.00	22.15	3.56	23.15	39.00	21.65	64	4		5-1761465-2
	3	6.00	8.15	3.56	9.15	25.00	7.65	36	1		5-1761465-1
OBSOLETE	2	128.00	130.15	3.56	131.15	147.00	129.65	280			4-1761465-5
	2	70.00	72.15	3.56	73.15	89.00	71.65	164	16		4-1761465-4
	2	37.00	39.15	3.56	40.15	56.00	38.65	98	8		4-1761465-3
	2	20.00	22.15	3.56	23.15	39.00	21.65	64	4		4-1761465-2
	2	6.00	8.15	3.56	9.15	25.00	7.65	36	1		4-1761465-1
OBSOLETE	3	128.00	130.15	3.10	131.15	147.00	129.65	280			3-1761465-5
	3	70.00	72.15	3.10	73.15	89.00	71.65	164	16		3-1761465-4
	3	37.00	39.15	3.10	40.15	56.00	38.65	98	8		3-1761465-3
	3	20.00	22.15	3.10	23.15	39.00	21.65	64	4		3-1761465-2
	3	6.00	8.15	3.10	9.15	25.00	7.65	36	1		3-1761465-1
OBSOLETE	3	128.00	130.15	2.30	131.15	147.00	129.65	280			2-1761465-5
	3	70.00	72.15	2.30	73.15	89.00	71.65	164	16		2-1761465-4
	3	37.00	39.15	2.30	40.15	56.00	38.65	98	8		2-1761465-3
	3	20.00	22.15	2.30	23.15	39.00	21.65	64	4		2-1761465-2
	3	6.00	8.15	2.30	9.15	25.00	7.65	36	1		2-1761465-1
OBSOLETE	2	128.00	130.15	3.10	131.15	147.00	129.65	280			1-1761465-5
	2	70.00	72.15	3.10	73.15	89.00	71.65	164	16		1-1761465-4
	2	37.00	39.15	3.10	40.15	56.00	38.65	98	8		1-1761465-3
	2	20.00	22.15	3.10	23.15	39.00	21.65	64	4		1-1761465-2
	2	6.00	8.15	3.10	9.15	25.00	7.65	36	1		1-1761465-1
OBSOLETE	2	128.00	130.15	2.30	131.15	147.00	129.65	280			1761465-5
	2	70.00	72.15	2.30	73.15	89.00	71.65	164	16		1761465-4
	2	37.00	39.15	2.30	40.15	56.00	38.65	98	8		1761465-3
	2	20.00	22.15	2.30	23.15	39.00	21.65	64	4		1761465-2
	2	6.00	8.15	2.30	9.15	25.00	7.65	36	1		1761465-1

THIS DRAWING IS A CONTROLLED DOCUMENT FOR TYCO ELECTRONICS CORPORATION. IT IS SUBJECT TO CHANGE AND THE CONTROLLING ENGINEERING ORGANIZATION SHOULD BE CONTACTED FOR THE LATEST REVISION.

DWN: R. TREA 09SEP2004  
CHK: D. DEFIBAUGH 09SEP2004  
APVD: D. DEFIBAUGH 09SEP2004

**Tyco Electronics**  
Tyco Electronics  
Harrisburg, PA 17105-3608

NAME: PCI EXPRESS CARD EDGE CONNECTOR ASSEMBLY, RIGHT ANGLE, 5.8mm SLOT HEIGHT, THROUGH HOLE, ExpressModule TYPE

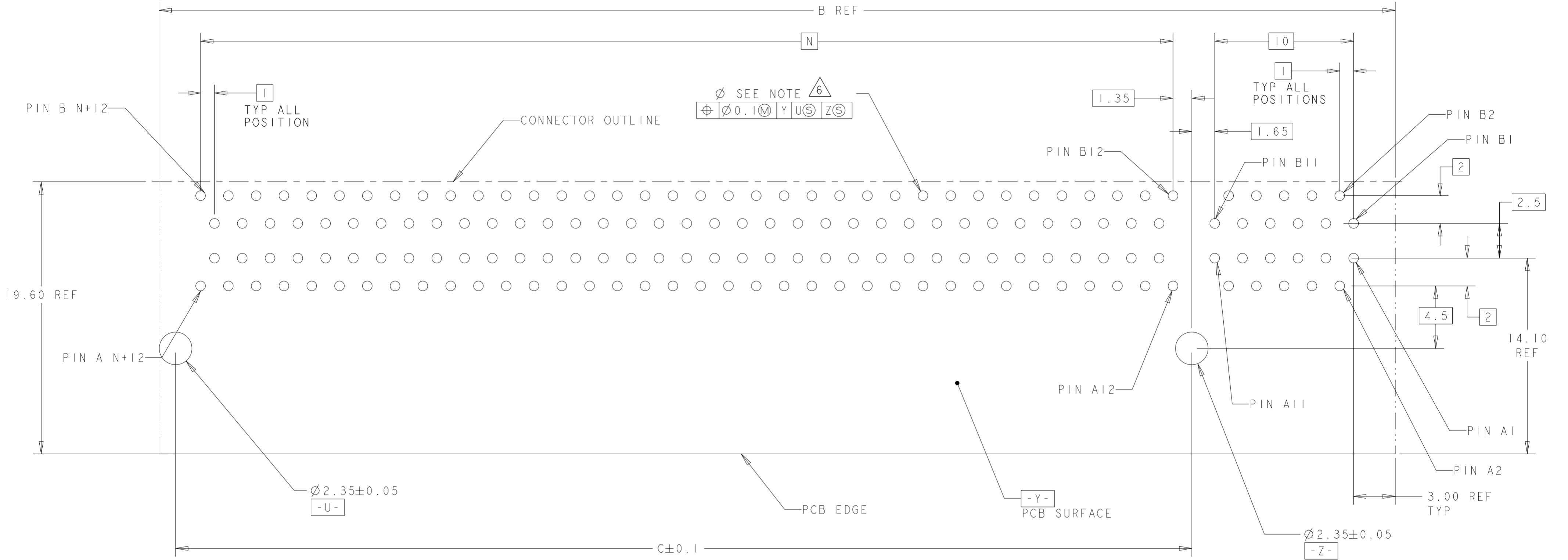
SIZE: A2 CAGE CODE: 00779 DRAWING NO: C-1761465

RESTRICTED CUSTOMER

SCALE: 2:1 SHEET 1 OF 3 REV: D1

THIS DRAWING IS UNPUBLISHED. RELEASED FOR PUBLICATION 20  
 © COPYRIGHT 20 BY TYCO ELECTRONICS CORPORATION. ALL RIGHTS RESERVED.

LOC	DIST	REVISIONS					
GP	00	P	LTR	DESCRIPTION	DATE	DWN	APVD
		-		SEE SHEET 1			



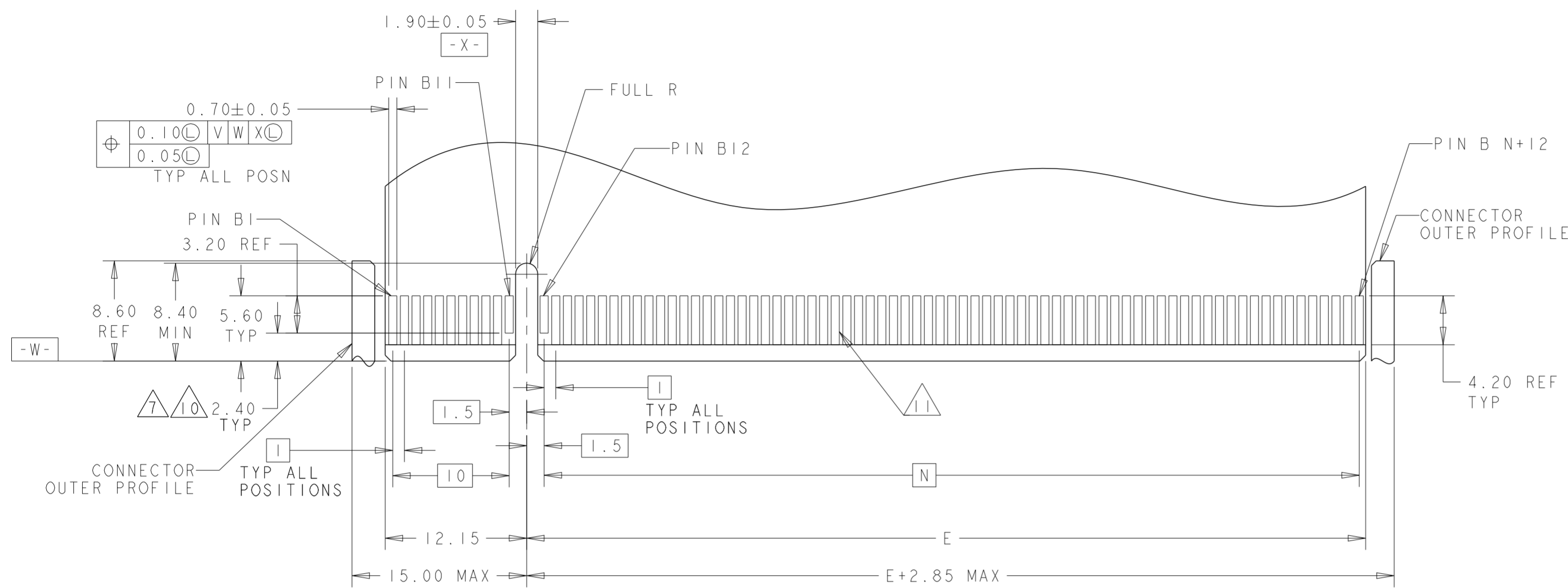
RIGHT ANGLE, ExpressModule  
 PCB LAYOUT  
 SCALE 5:1

**6** MANUFACTURING TOLERANCE FOR  $\varnothing 0.70 \pm 0.05$  DIAMETER FINISHED HOLE WITH SnPB PLATING:  
 DRILLED HOLE =  $\varnothing 0.79 \pm 0.02$   
 COPPER PLATING = 0.025-0.050  
 SnPB PLATING = 0.0038-0.0124  
 OR  $\varnothing 0.715 \pm 0.050$  FINISHED HOLE WITHOUT SnPB PLATING  
 DRILLED HOLE =  $\varnothing 0.79 \pm 0.02$   
 COPPER PLATING = 0.025-0.050

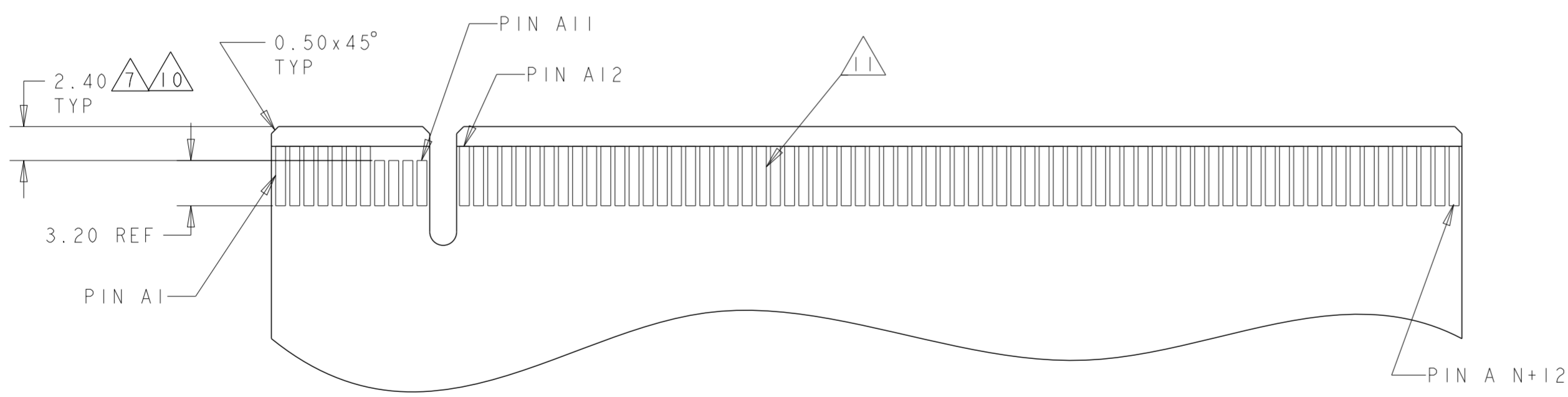
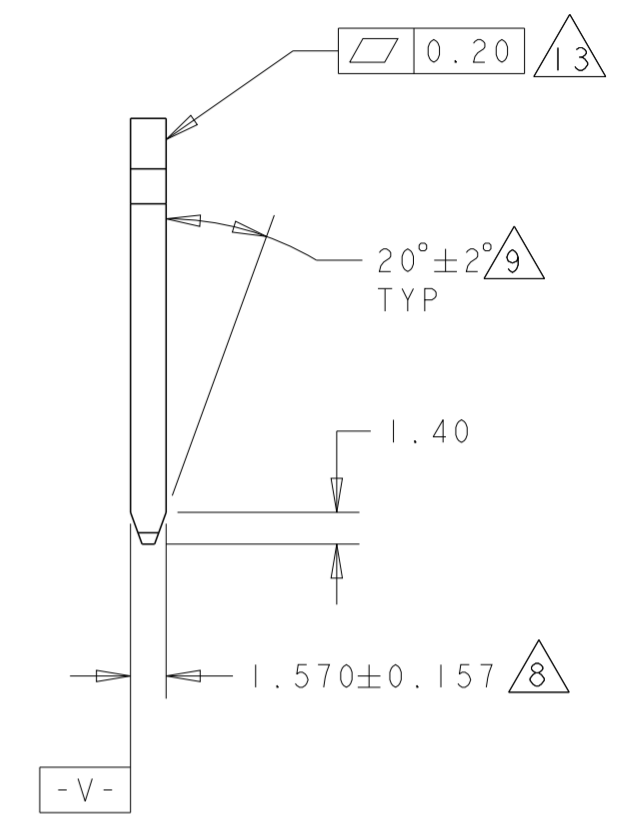
THIS DRAWING IS A CONTROLLED DOCUMENT FOR TYCO ELECTRONICS CORPORATION. IT IS SUBJECT TO CHANGE AND THE CONTROLLING ENGINEERING ORGANIZATION SHOULD BE CONTACTED FOR THE LATEST REVISION.		DWN R. TREA 09SEP2004	Tyco Electronics Harrisburg, PA 17105-3608	
DIMENSIONS: mm		CHK D. DEEIBAUGH 09SEP2004	NAME PCI EXPRESS CARD EDGE CONNECTOR ASSEMBLY, RIGHT ANGLE, 5.8mm SLOT HEIGHT, THROUGH HOLE, ExpressModule TYPE	
TOLERANCES UNLESS OTHERWISE SPECIFIED: 0 PLC ±- 1 PLC ±0.5 2 PLC ±0.13 3 PLC ±0.013 4 PLC ±- ANGLES ±2° FINISH		APVD D. DEEIBAUGH 09SEP2004	PRODUCT SPEC - APPLICATION SPEC -	
MATERIAL -		WEIGHT -	SIZE A2	CAGE CODE 00779
		DRAWING NO C-1761465		RESTRICTED TO
		RESTRICTED CUSTOMER		SCALE 2:1 SHEET 2 OF 3 REV D1

THIS DRAWING IS UNPUBLISHED. RELEASED FOR PUBLICATION 20  
 © COPYRIGHT 20 BY TYCO ELECTRONICS CORPORATION. ALL RIGHTS RESERVED.

LOC	DIST	REVISIONS			
P	LTR	DESCRIPTION	DATE	DWN	APVD
GP	00	SEE SHEET 1	-	-	-



SEE SHEET 1



- 7 DIMENSION ONLY APPLIES TO "LAST MATE" PINS.
- 8 CARD THICKNESS APPLIES ACROSS PAD SURFACES AND INCLUDES PLATING AND/OR METALIZATION.
- 9 CHAMFER EDGES MUST BE FREE OF CUTTING BURRS.
- 10 NO TIE BAR PERMITTED FROM CARD EDGE TO LEADING EDGE OF "LAST MATE" PADS.
- 11 GOLD CONTACT PADS: ELECTROLESS GOLD PLATE 0.76µm MIN THICK OVER ELECTROLESS NICKEL PLATING 2µm MIN THICK.
- 12. PC BOARD SUPPLIER IS RESPONSIBLE FOR MAINTAINING ALL DIMENSIONS OF PC BOARD EDGE.
- 13 FLATNESS REQUIREMENT APPLIES FROM EDGE OF PC BOARD TO TOP OF KEY

ExpressModule LAYOUT (MATING PART ONLY)

A1, B17, B31, B48, B81	280	-
A1, B17, B31, B48, B81	164	16
A1, B17, B31, B48	98	8
A1, B17, B31	64	4
A1, B17	36	1
LAST MATE PINS	POS.	PORT

THIS DRAWING IS A CONTROLLED DOCUMENT FOR TYCO ELECTRONICS CORPORATION. IT IS SUBJECT TO CHANGE AND THE CONTROLLING ENGINEERING ORGANIZATION SHOULD BE CONTACTED FOR THE LATEST REVISION.

DWN	R. TREA	09SEP2004	Tyco Electronics Harrisburg, PA 17105-3608	
CHK	D. DEE BAUGH	09SEP2004		
APVD	D. DEE BAUGH	09SEP2004		
PRODUCT SPEC	-			
APPLICATION SPEC	-		NAME	PCI EXPRESS CARD EDGE CONNECTOR ASSEMBLY, RIGHT ANGLE, 5.8mm SLOT HEIGHT, THROUGH HOLE, ExpressModule TYPE
WEIGHT	-		SIZE	A2
RESTRICTED CUSTOMER	-		CAGE CODE	00779
			DRAWING NO	C-1761465
			RESTRICTED TO	
			SCALE	3:1
			SHEET	3 OF 3
			REV	D1