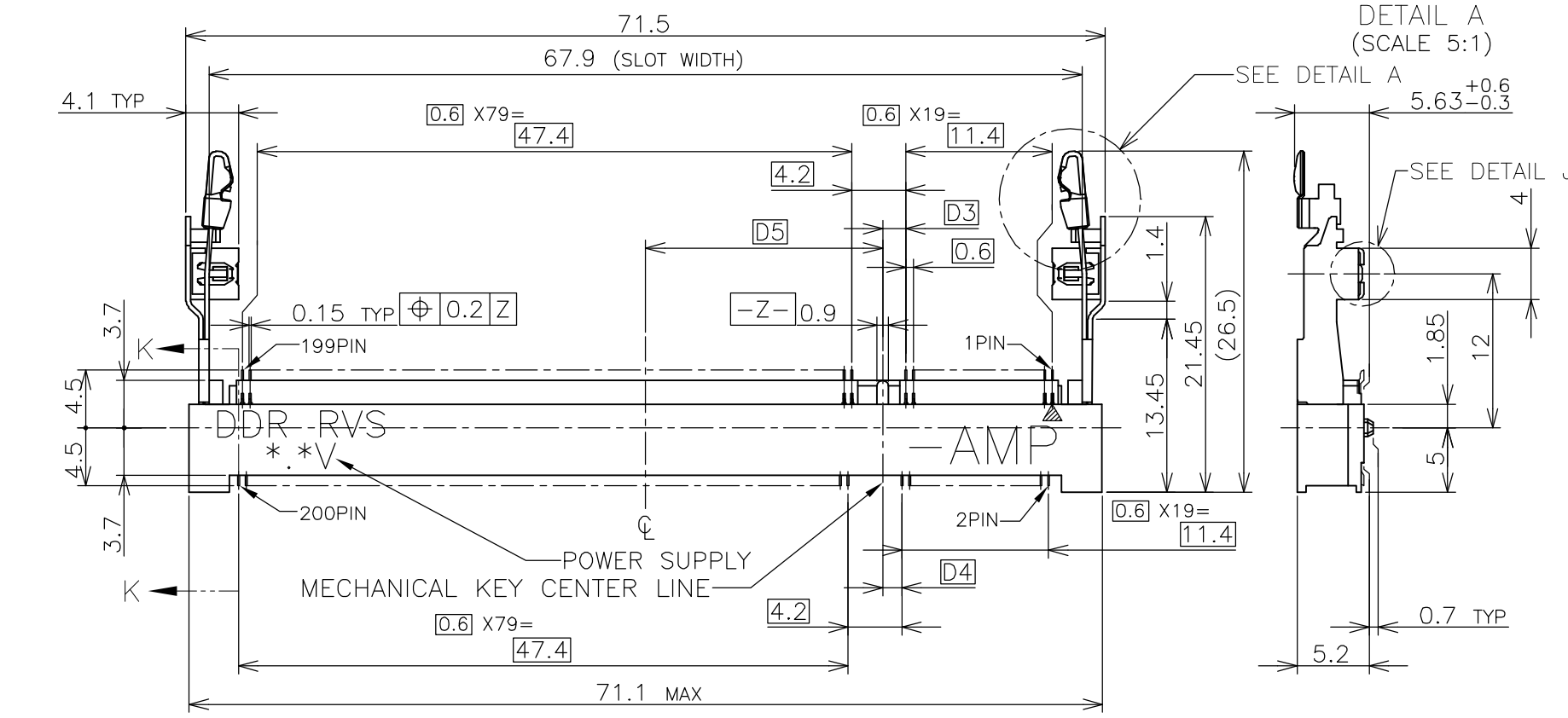
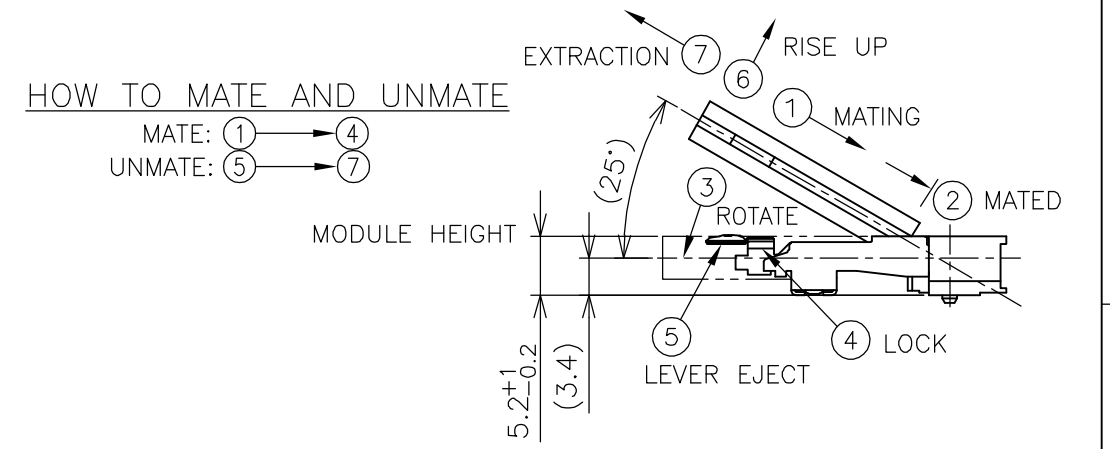
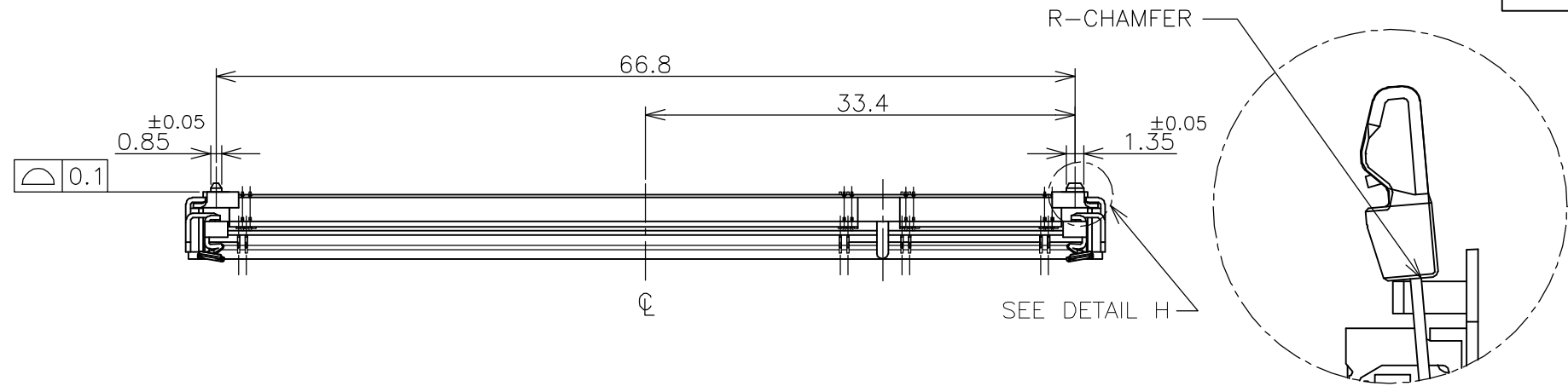
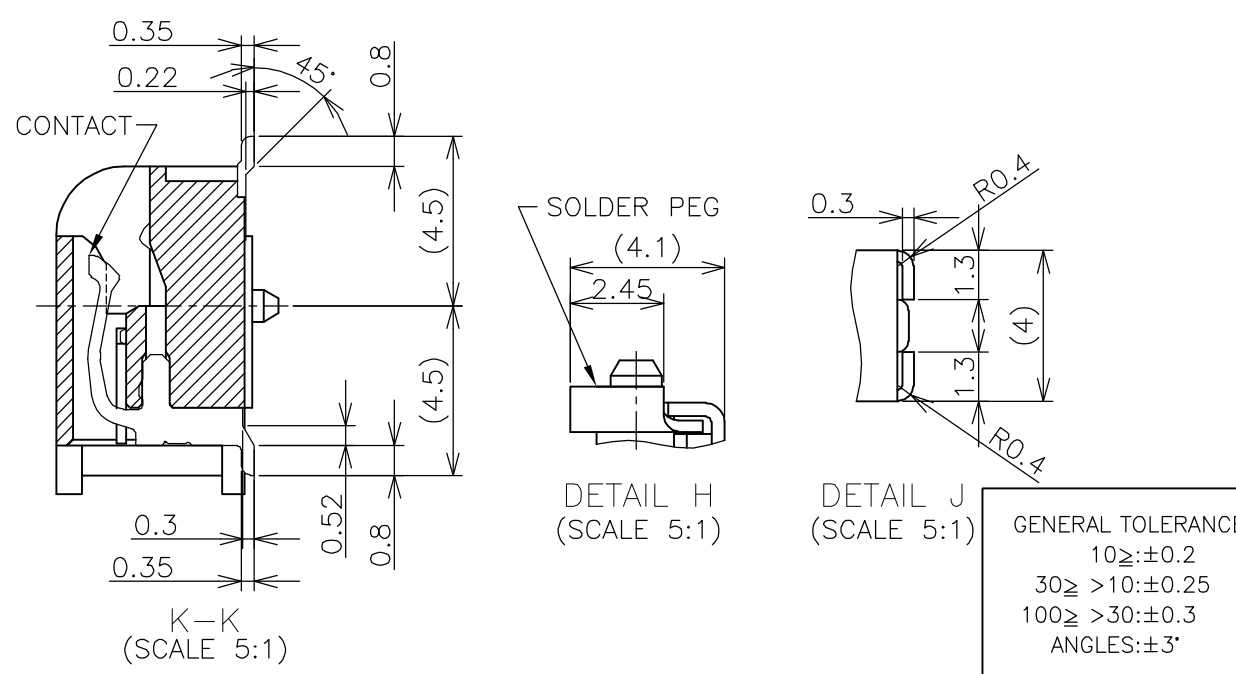


THIS DRAWING IS UNPUBLISHED. RELEASED FOR PUBLICATION OCT ,2001.  
 © COPYRIGHT 2001 BY TYCO ELECTRONICS CORPORATION. ALL RIGHTS RESERVED.

LOC	DIST	REVISIONS			
P	LTR	DESCRIPTION	DATE	DWN	APVD
J	/				
	D	REVISED (ECR-06-024642)	17OCT06	S.Y	S.Y



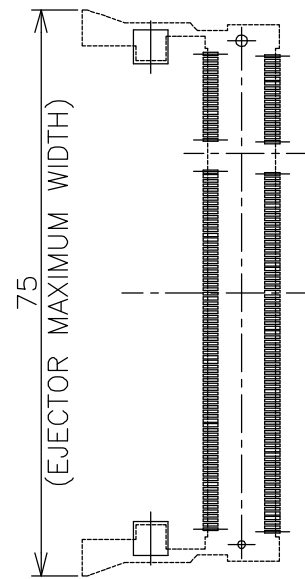
(APPLIED TO SHEET 1-2)  
 1. MATERIAL ; HOUSING: HIGH TEMPERATURE THERMO PLASTIC UL94V-0  
 CONTACT: COPPER ARROY  
 LOCK LEVER STAINLESS STEEL  
 SOLDER PEG: COPPER ARROY  
 2. FINISH ; CONTACT AREA: GOLD FLASH ON 0.0013MIN ALL OVER NICKEL.  
 SOLDERING AREA: GOLD FLASH PLT.  
 SOLDER PEG: TIN LEAD OR TIN PLATING.  
 ⚠ MECHANICAL KEY POSITION OF CONNECTOR SEE TABLE.  
 ⚠ TOLERANCES NON-CUMULATIVE.  
 ⚠ NOT TO SCALE.  
 ⚠ [ ] INSIDE MUST BE RESIST COAT EXCEPT SOLDER PATTERN.  
 7. IF THE MODULE DOESN'T INSERT AND LOCK IN THE LATCH SMOOTHLY,  
 OPEN WIDE BOTH LATCHES BY MANUAL. AND THE MODULE MUST BE  
 INSERTED AND LOCKED IN THE LATCH.



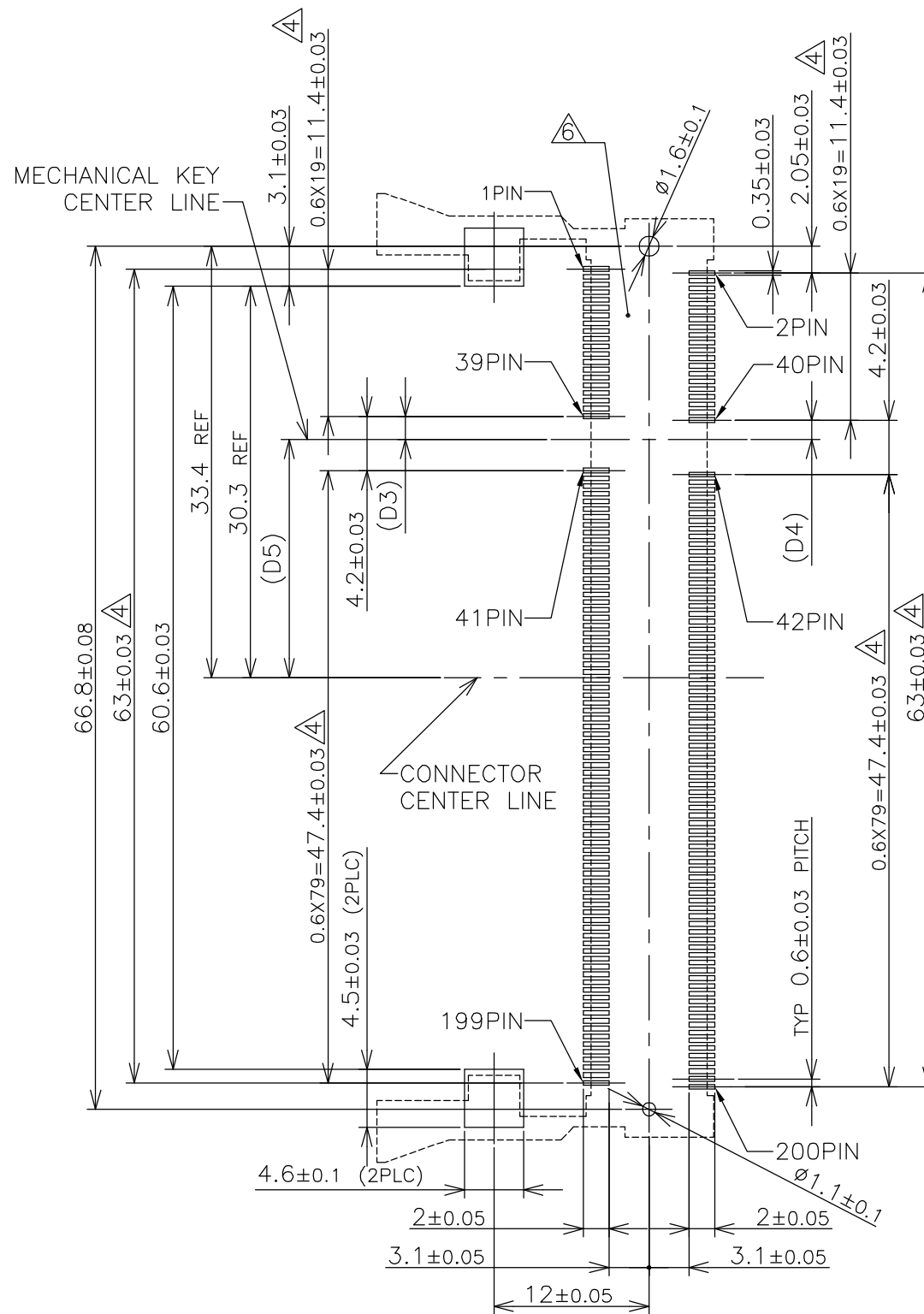
TIN PLATING (LEAD FREE)	AVAILABLE	2.5V (DDR1)	18.45	1.5	1.8	200	1612508-3
TIN LEAD PLATING	AVAILABLE	2.5V (DDR1)	18.45	1.5	1.8	200	1612508-1
REMARK (PEG)	TOOLING STATUS	POWER SUPPLY	D5	D4	D3	POS	PART NO.
THIS DRAWING IS A CONTROLLED DOCUMENT.		DWN T.FUTATSUGI 28MAY02	Tyco Electronics AMP K.K. Kawasaki, Japan				
DIMENSIONS: MM		CHK T.KUSUHARA 28MAY02					
TOLERANCES UNLESS OTHERWISE SPECIFIED:		APVD I.ENOMOTO 28MAY02					
MATERIAL		PRODUCT SPEC 108-5701	NAME				
		APPLICATION SPEC	DDR1 & DDR2 SODIMM SOCKET				
		WEIGHT 4.7g	0.6mm PITCH 200POS				
		CUSTOMER DRAWING	STANDARD PROFILE REVERSE TYPE (NEW LATCH TYPE)				
		SCALE 2:1	SIZE A3	CAGE CODE 00779	DRAWING NO C-1612508	RESTRICTED TO	
		SHEET 1 OF 4	REV D				

LOC	DIST	REVISIONS					
J		P	LTR	DESCRIPTION	DATE	DWN	APVD

# REFERENCE P.C.BOARD PATTERN LAYOUT (CONNECTOR MOUNTING SIDE)



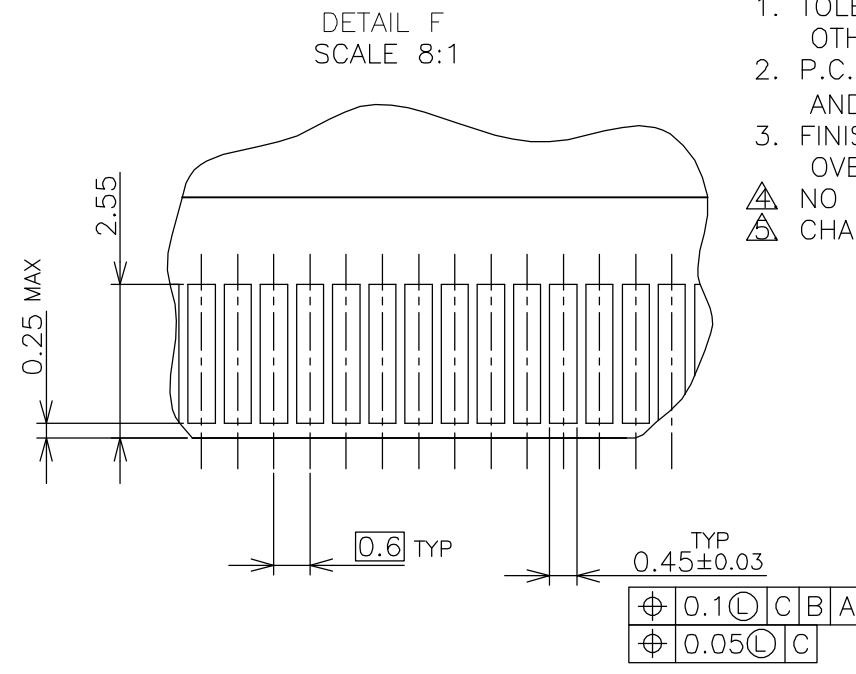
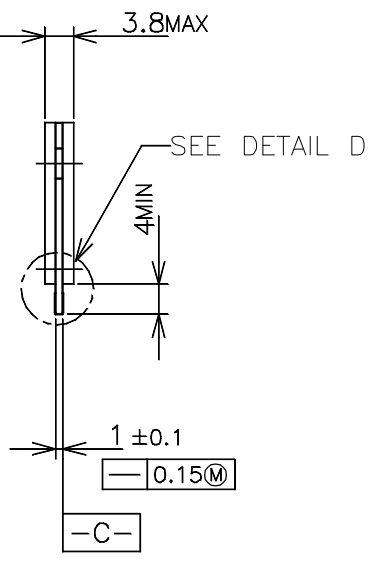
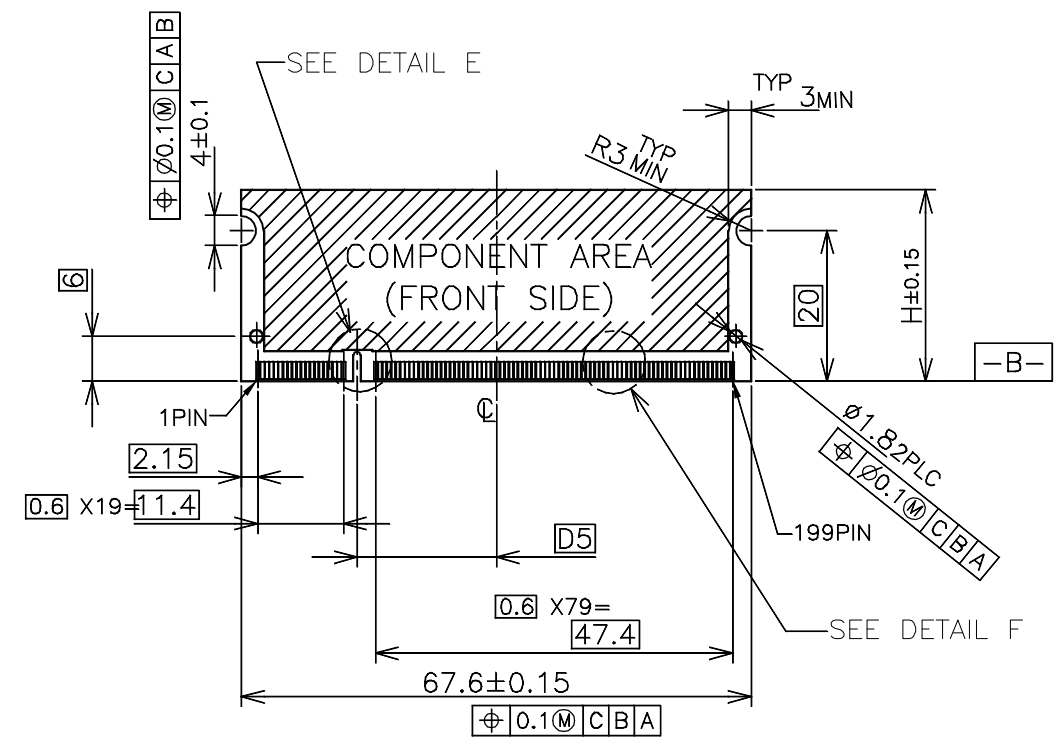
REAL SIZE (SCALE 1:1)



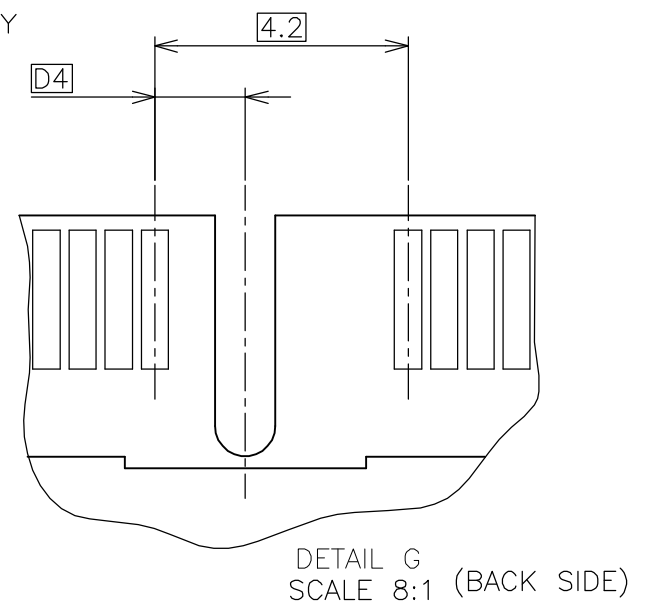
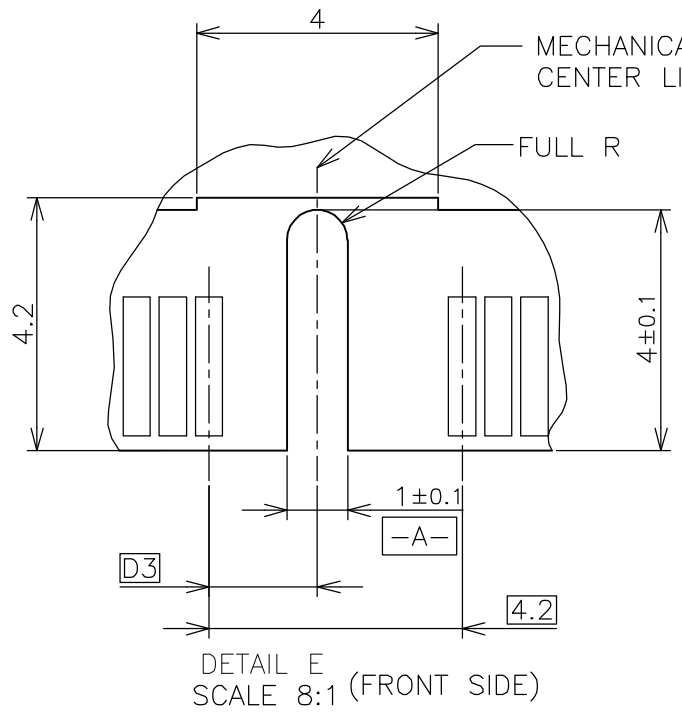
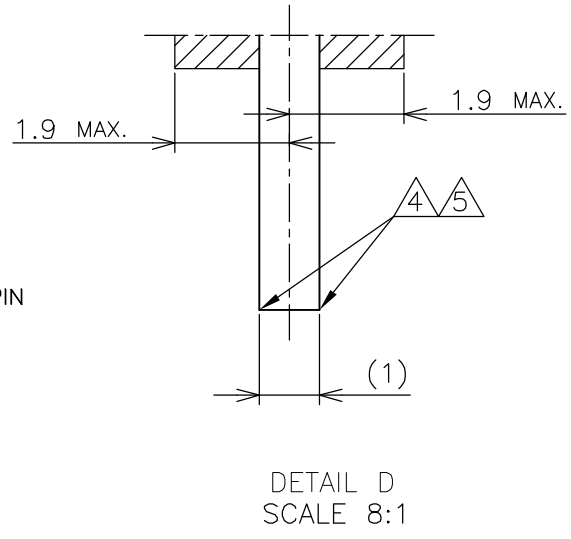
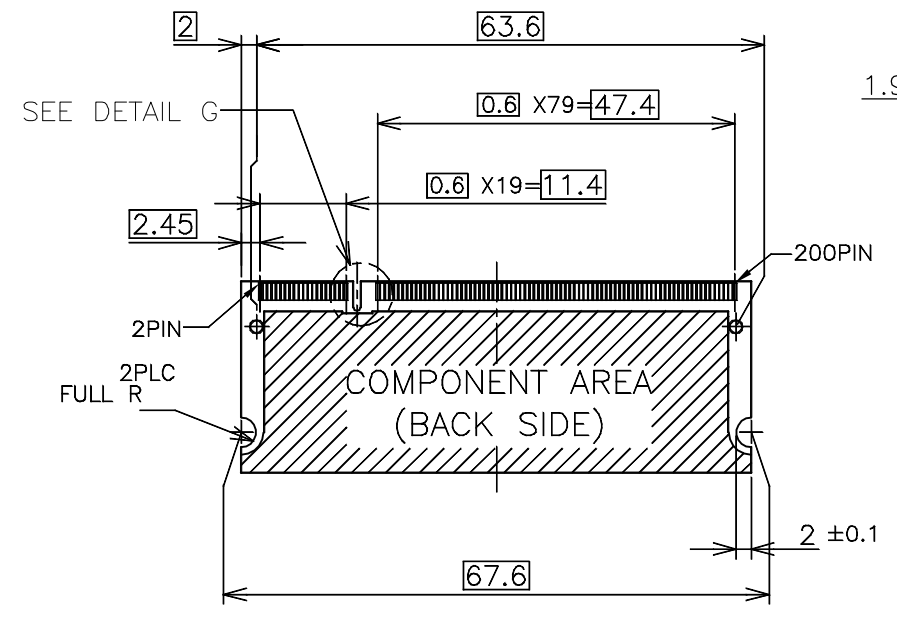
1.8V	17.55	2.4	2.7
2.5V	18.45	1.5	1.8
POWER SUPPLY	D5	D4	D3

THIS DRAWING IS A CONTROLLED DOCUMENT.		DWN	Tyco Electronics AMP K.K. Kawasaki, Japan	
DIMENSIONS: MM		CHK		
TOLERANCES UNLESS OTHERWISE SPECIFIED:		APVD	NAME	
0 PLC ± 1 PLC ± 2 PLC ± 3 PLC ± 4 PLC ± ANGLES ± MATERIAL FINISH		PRODUCT SPEC	DDR1 & DDR2 SODIMM SOCKET 0.6mm PITCH 200POS STANDARD PROFILE REVERSE TYPE (NEW LATCH TYPE)	
		APPLICATION SPEC	SIZE	RESTRICTED TO
		WEIGHT	A3	
		CUSTOMER DRAWING	CAGE CODE	
			C=1612508	
		SCALE	2:1	
		SHEET	2 OF 4	
		REV	D	

LOC	DIST	REVISIONS					
		P	LTR	DESCRIPTION	DATE	DWN	APVD
J							



- (APPLIED TO SHEET 3)
1. TOLERANCES ON ALL DIMENSIONS ±0.15 UNLESS OTHERWISE SPECIFIED.
  2. P.C. BOARD THICKNESS APPLIES ACROSS TABS AND INCLUDES PLATING AND/OR METALIZATION.
  3. FINISH OF PAD : GOLD PLATING 0.00076 MIN. OVER Ni PLATING 0.002MIN.
- △ NO BURR
- △ CHAMFER 0.25 MAX x 45° IF EXIST.

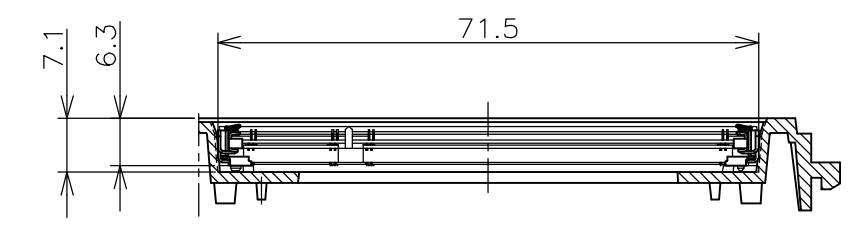
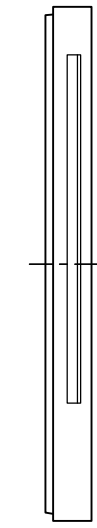
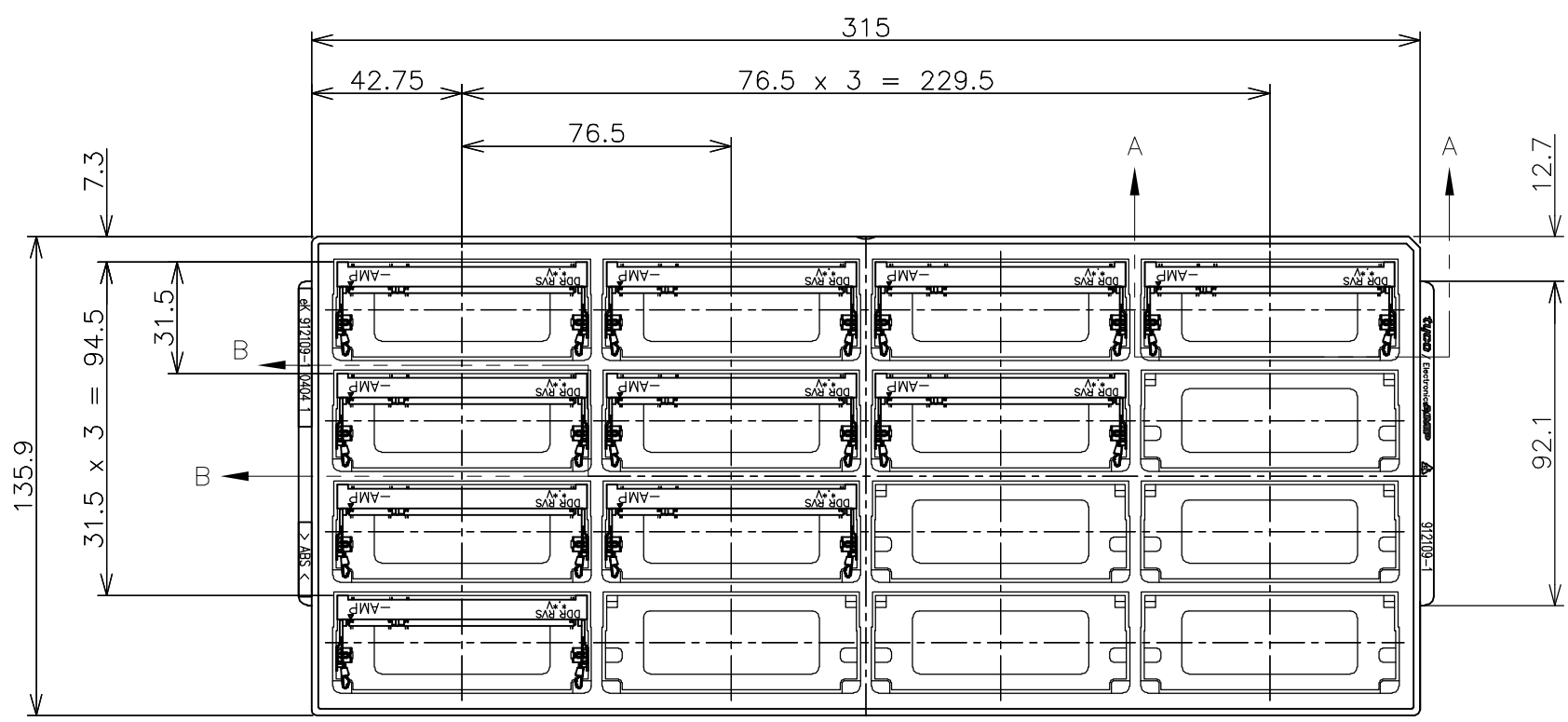


RECOMMENDED MATING P.C.B CONFIGURATION

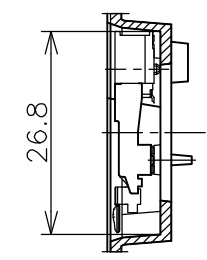
THIS DRAWING IS A CONTROLLED DOCUMENT.		DWN	31.75			
DIMENSIONS: MM		CHK	25.4			
TOLERANCES UNLESS OTHERWISE SPECIFIED:		APVD	H			
0 PLC ±		PRODUCT SPEC	1.8V			
1 PLC ±		APPLICATION SPEC	17.55			
2 PLC ±		WEIGHT	2.4			
3 PLC ±		CUSTOMER DRAWING	2.7			
4 PLC ±			1.8			
ANGLES ±		POWER SUPPLY				
FINISH		D5				
MATERIAL		D4				
		D3				
		Tyco Electronics AMP K.K. Kawasaki, Japan				
		NAME: DDR1 & DDR2 SODIMM SOCKET 0.6mm PITCH 200POS STANDARD PROFILE REVERSE TYPE (NEW LATCH TYPE)				
		SIZE	CAGE CODE	DRAWING NO	RESTRICTED TO	
		A3	00779	C-1612508	-	
		SCALE 2:1		SHEET 3 OF 4		REV D

THIS DRAWING IS UNPUBLISHED. RELEASED FOR PUBLICATION OCT ,2001.  
 © COPYRIGHT 2001 BY TYCO ELECTRONICS CORPORATION. ALL RIGHTS RESERVED.

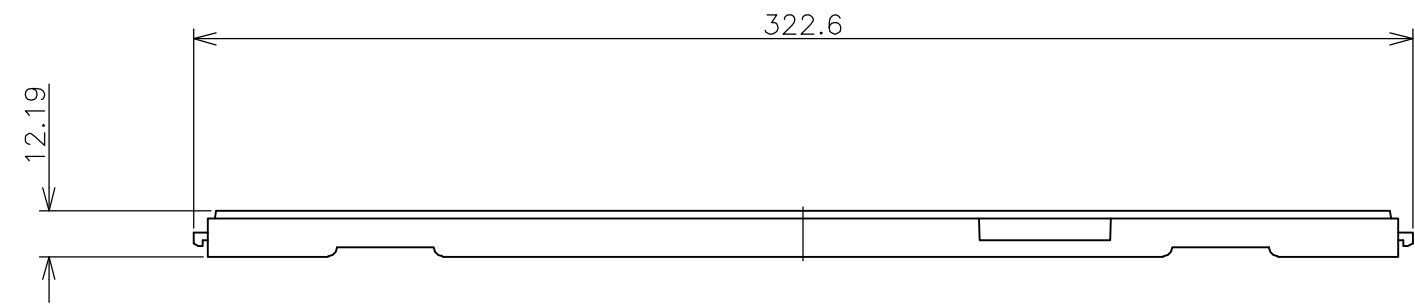
LOC	DIST	REVISIONS			
P	LTR	DESCRIPTION	DATE	DWN	APVD
J	—	—	—	—	—
		SEE SHEET 1			



A-A  
SCALE 1:1



B-B  
SCALE 1:1



1. THE DIRECTION OF EACH CONNECTOR ON A TRAY IS REFERRED TO THIS DRAWING.
2. GENERAL TOLERANCE: ±0.5

TIN PLATING	16EA/TRAY	912109-1	1612508-3
TIN LEAD PLATING			1612508-1
REMARK (PEG)	QTY	TRAY P/N	P/N

THIS DRAWING IS A CONTROLLED DOCUMENT.		DWN	Tyco Electronics AMP K.K. Kawasaki, Japan		
DIMENSIONS: MM		CHK			
TOLERANCES UNLESS OTHERWISE SPECIFIED:		APVD	NAME		
0 PLC ±		PRODUCT SPEC	DDR1 & DDR2 SODIMM SOCKET		
1 PLC ±		APPLICATION SPEC	0.6mm PITCH 200POS		
2 PLC ±			STANDARD PROFILE REVERSE TYPE (NEW LATCH TYPE)		
3 PLC ±			SIZE	CAGE CODE	DRAWING NO
4 PLC ±			A3	00779	C-1612508
ANGLES ±		WEIGHT	RESTRICTED TO		
FINISH			—		
MATERIAL		CUSTOMER DRAWING		SCALE 1:2	SHEET 4 OF 4
				REV D	