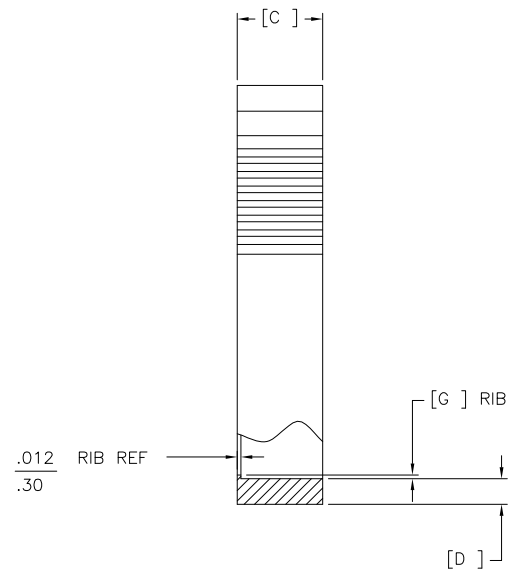
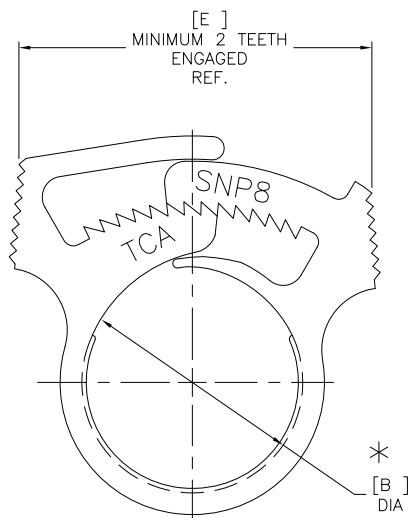


REDUCED
NO SCALE



16	IN MM	.516 13.10	.591 15.00	.224 5.70	.067 1.70	.980 24.90	.657 16.70	.004 .10
NUMBER OF TEETH	DIM TOL(μ)	*[A]	*[B]	[C]	[D]	[E]	[F]	[G]
		REF						
				.010 25				REF

HellermannTyton.

ALL PROPRIETARY RIGHTS IN THE SUBJECT MATTER SHOWN ON THIS DRAWING ARE EXCLUSIVE PROPERTY OF TYTONHELLERMANN

name	date	city, state

NOTES

- * 1. INSIDE DIAMETERS ARE MEASURED IN THREE PLACES SPACED 120° APART EXCLUDING RIB [G]
2. DRAWING CREATED FROM SNP-10 DATA BASE. USE FOR DIMENSIONAL INFO. ONLY

REVISIONS

level	date	by	ECN #	part level
1	06/13/19	CTF	015216	A

DIMENSIONS

.XXXX= .XXX= NOTED
.XX= .X=
∠= unless otherwise specified
units inches/mm

PART

number **SNP8GHS** phase **PRODUCTION**

name **SNAPPER 8 HOSE CLAMP**

material **PA66GF13 or PA66HIRHSG15**
COLOR: BLACK

DRAWING

FORM	C	version	L	CAD	ACAD	scale	4X
computer file number	CP\CP2008\CP2008001CST_02	previous number	CP\CP2008\2008001A				
drawn	A.A.M.	checked	K.A.C.	approved	MHT		
date	10/25/99	date	11/09/99	approved	06/13/19		
type	CUSTOMER	sheet	1 of 1				
number	CP2008001CST						