

THIS DRAWING IS UNPUBLISHED. RELEASED FOR PUBLICATION  
 © COPYRIGHT - By - TE CONNECTIVITY ALL RIGHTS RESERVED.

LOC	DIST	REVISIONS 変更					
HB	-	P	LTR	DESCRIPTION	DATE	DWN	APVD
		F		REMOVED THE RIB ON THE BASE TO CASE ECO-15-011310	19Nov2015	YS.H	CHL

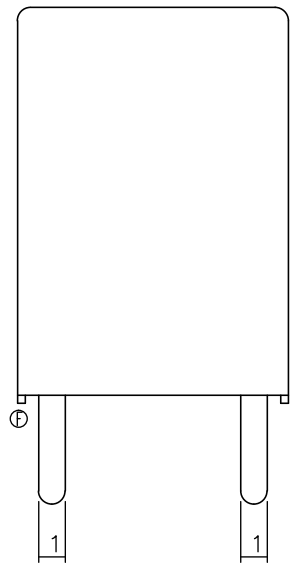
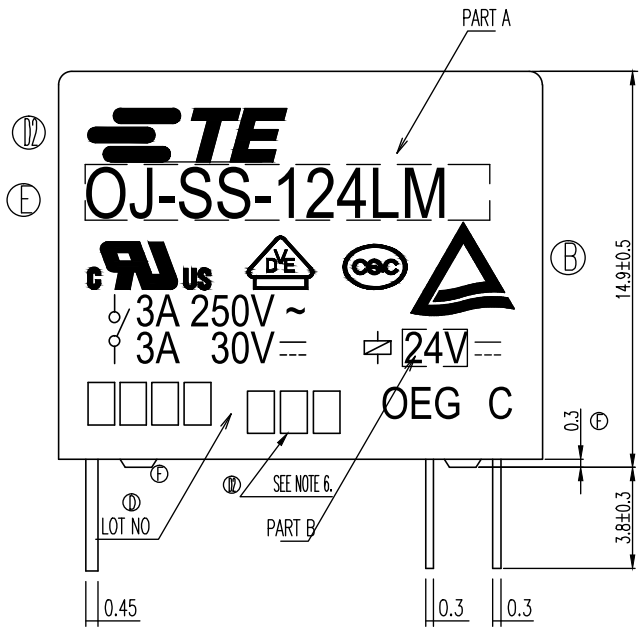
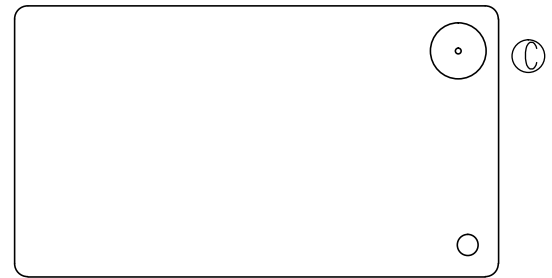
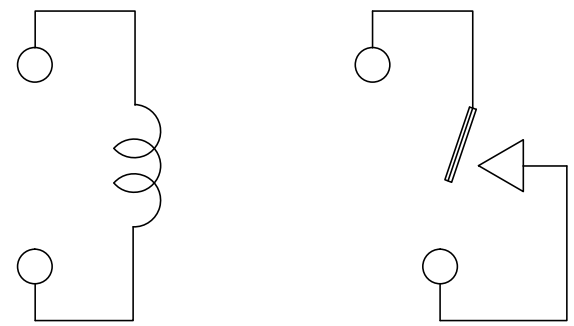


Diagram dimension	Tolerance
0.99mm max.	±0.1mm
1 - 2.99mm	±0.2mm
3mm min.	±0.3mm



CONNECTION FIGURE

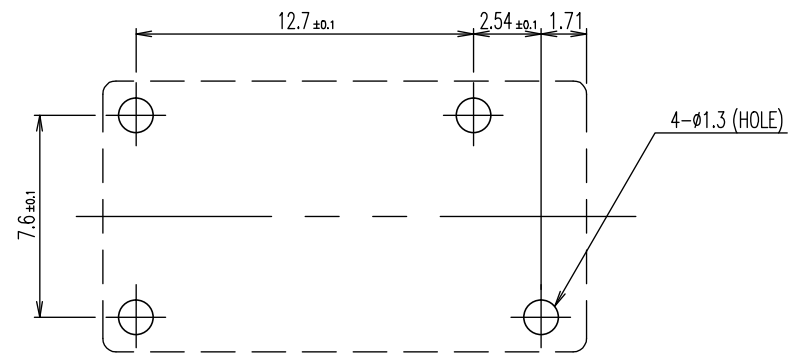
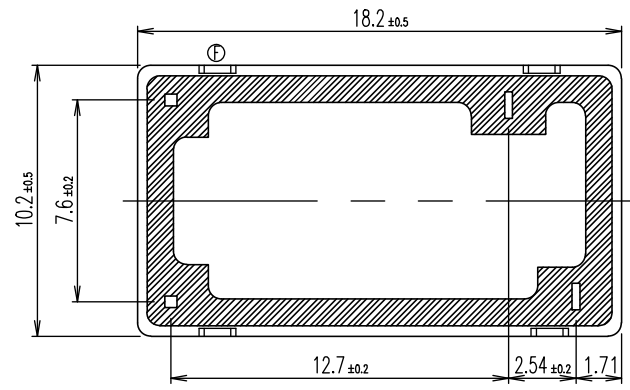


FIGURE FOR PRINTED CIRCUIT BOARD PROCESSING  
(BOTTOM VIEW)



THIS DRAWING IS A CONTROLLED DOCUMENT.		DWN	H.Sasaki	-	<b>TE</b> TE Connectivity		
DIMENSIONS: 単位: 耗 mm		CHK	Y.Oikawa	-			
TOLERANCES UNLESS OTHERWISE SPECIFIED: 一般公差		APVD	A.Nagai	-	NAME 名称 OJ-SS-LM SPEC,000 CUSTOMER DRAWING		
0 PLC ± - 1 PLC ± - 2 PLC ± - 3 PLC ± - 4 PLC ± - ANGLES ± -		PRODUCT SPEC 製品規格		-	SIZE		
MATERIAL 材料		APPLICATION SPEC 取付適用規格		-	CAGE CODE	DRAWING NO 番号	RESTRICTED TO
		FINISH 仕上		-	A3	00779	1461117
		WEIGHT		-	CUSTOMER DRAWING		SCALE 尺度
				-	5:1	SHEET	1 OF 2
				-		REV	F

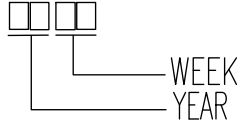
THIS DRAWING IS UNPUBLISHED. RELEASED FOR PUBLICATION  
 © COPYRIGHT - By - TE CONNECTIVITY ALL RIGHTS RESERVED.

LOC	DIST	REVISIONS 変更					
HB	-	P	LTR	DESCRIPTION	DATE	DWN	APVD
		-		SEE SHEET 1	-	-	-

3-1419129-1	OJ-SS-124LM, 000	107-79010	24V	OJ-SS-124LM	f
4-1419144-2	OJ-SS-118LM, 000	107-79010	18V	OJ-SS-118LM	e
2-1419129-1	OJ-SS-112LM, 000	107-79010	12V	OJ-SS-112LM	d
1461117-3	OJ-SS-109LM, 000	107-79010	9V	OJ-SS-109LM	c
1440007-1	OJ-SS-106LM, 000	107-79010	6V	OJ-SS-106LM	b
1440007	OJ-SS-105LM, 000	107-79010	5V	OJ-SS-105LM	a
PART NO	DESCRIPTION	PACKAGE SPEC.	PART B	PART A	TYPE

RELAY TYPE

ⓓⓔ NOTE:  
 1. LOT NO SYSTEM AS FOLLOWING:



ⓓ 2. TERMINAL DIMENSION IS BEFORE SOLDER DIP;  
 ⓓ 3. FOR THE TIN-PLATING OF THE PINS:  
 +0.1mm FOR WIDTH, THICKNESS AND DIAMETER.  
 +0.5mm FOR LENGTH.

ⓔⓓ 4. USED WELDED CONTACT & LASER MARKING.

ⓓ 5. ADD LOT NO. SYSTEM AS FOLLOWING;  
 I, DIGITS FOR DAY OF THE WEEK  
 1...MONDAY IN THIS WEEK;  
 2...TUESDAY IN THIS WEEK;  
 .....  
 7...SUNDAY IN THIS WEEK  
 II, DIGITS FOR SHIFT OF THE DAY  
 1...DAY SHIFT IN THIS DAY;  
 2...NIGHT SHIFT IN THIS DAY;  
 III, ONE CHARACTER DISTINGUISH THE LINE IDENTITY, SUCH AS: A,B.....Z

		EPOXY RESIN	SEAL (BASE & BOBBIN)	15
		JUEW	MAGNETIC WIRE	14
94V-0		P.B.T	CASE	13
94V-0		P.B.T	BASE	12
94V-0		P.B.T	BOBBIN	11
	SOLDER DIP	C.P WIRE	COIL TERMINAL	10
94V-0		P.P.S	CARD	9
		Ag	MOVABLE CONTACT	8
		Ag	NO.CONTACT	7
		STEEL	HINGE SPRING	6
	SOLDER DIP	Cu ALLOY	NO.TERMINAL	5
	SOLDER DIP	Cu ALLOY	MOVABLE SPRING	4
	NIP	STEEL	CORE	3
	NIP	STEEL	ARMATURE	2
	NIP	STEEL	YOKE	1
INCOMBUSTIBILITY	TREATMENT	MATERIAL	DESCRIPTION	ITEM

THIS DRAWING IS A CONTROLLED DOCUMENT.		DWN	H.Sasaki	-																		
DIMENSIONS: 單位: 耗 mm		CHK	Y.Oikawa	-																		
TOLERANCES UNLESS OTHERWISE SPECIFIED: 一般公差		APVD	A.Nagai	-																		
<table border="1"> <tr><td>0</td><td>PLC</td><td>± -</td></tr> <tr><td>1</td><td>PLC</td><td>± -</td></tr> <tr><td>2</td><td>PLC</td><td>± -</td></tr> <tr><td>3</td><td>PLC</td><td>± -</td></tr> <tr><td>4</td><td>PLC</td><td>± -</td></tr> <tr><td colspan="2">ANGLES</td><td>± -</td></tr> </table>		0	PLC	± -	1	PLC	± -	2	PLC	± -	3	PLC	± -	4	PLC	± -	ANGLES		± -	PRODUCT SPEC 製品規格	NAME 名称	OJ-SS-LM SPEC,000 CUSTOMER DRAWING
0	PLC	± -																				
1	PLC	± -																				
2	PLC	± -																				
3	PLC	± -																				
4	PLC	± -																				
ANGLES		± -																				
MATERIAL 材料		APPLICATION SPEC 取付適用規格	SIZE	CAGE CODE																		
		FINISH 仕上	WEIGHT	DRAWING NO 番号	RESTRICTED TO																	
			CUSTOMER DRAWING	A3 00779 C= 1461117																		
				SCALE 尺度 5:1	SHEET 2 OF 2																	
				REV F																		