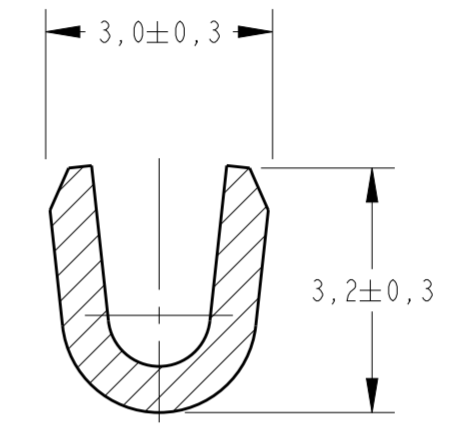
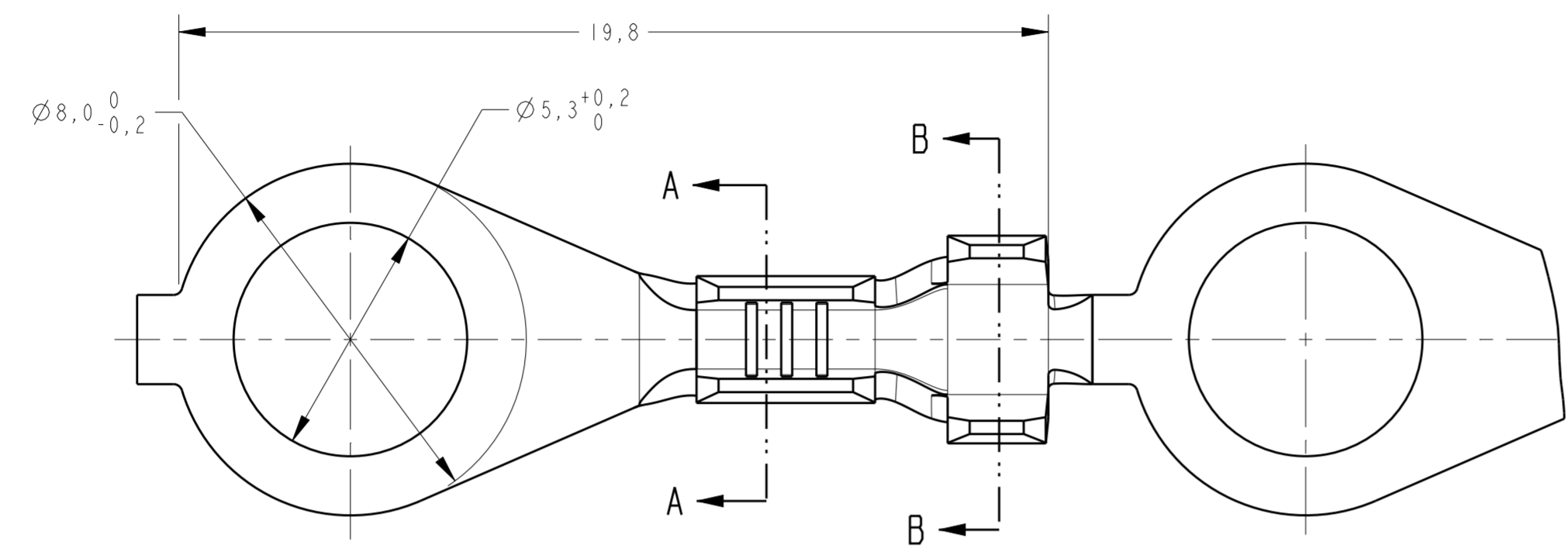


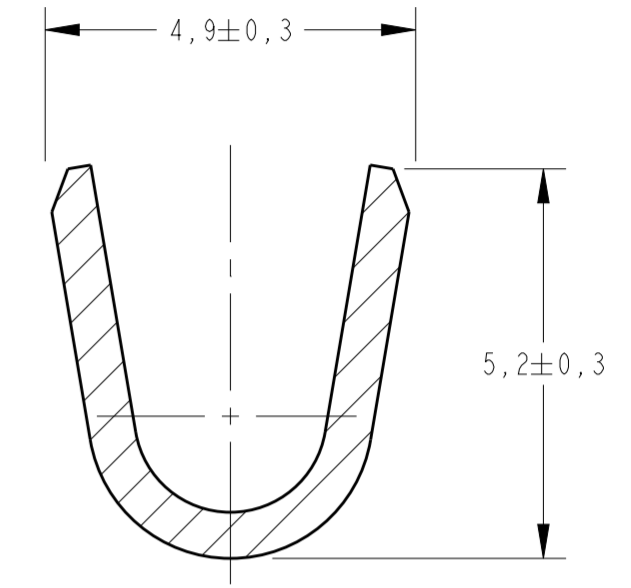
THIS DRAWING IS UNPUBLISHED. RELEASED FOR PUBLICATION 20  
 © COPYRIGHT 20 BY - ALL RIGHTS RESERVED.

**creo**  
 Creo Parametric 2.0  
**DO NOT REVISE  
 EXCEPT BY CAD**

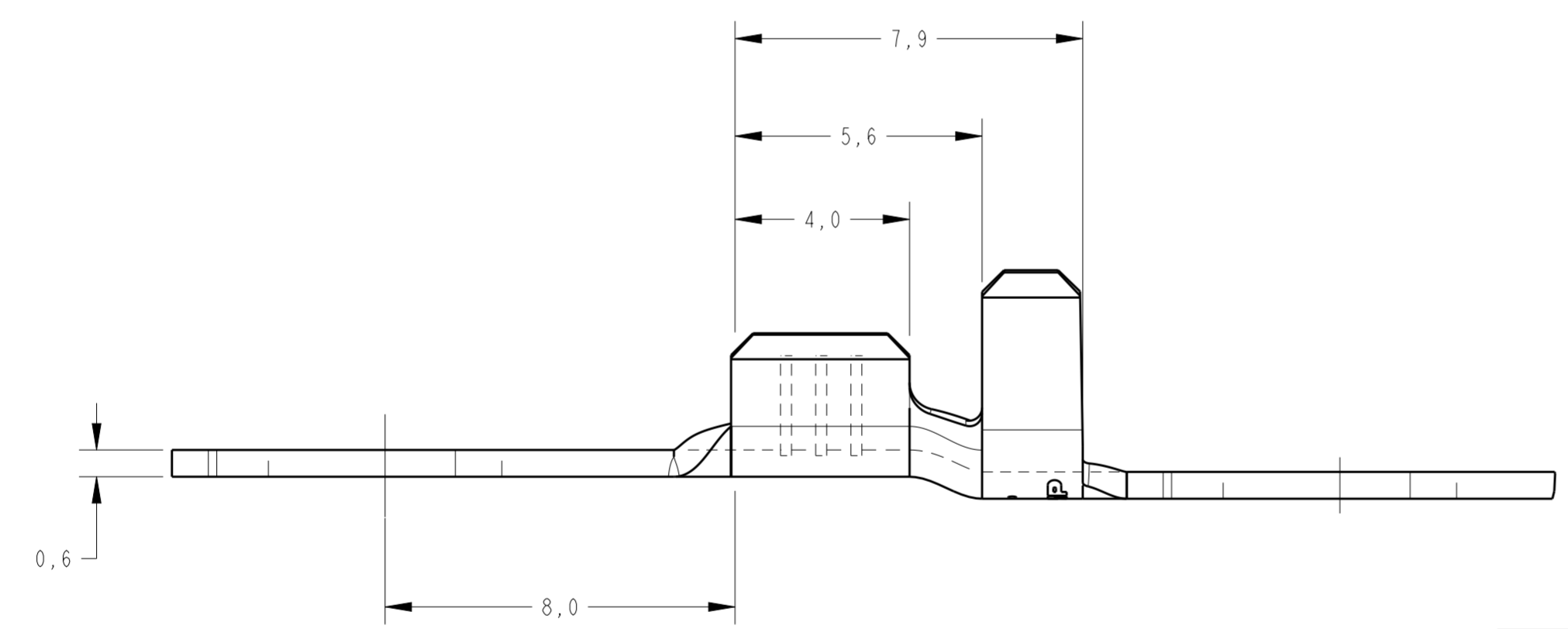
| REVISIONS |     |                             |           |     |      |
|-----------|-----|-----------------------------|-----------|-----|------|
| P         | LTR | DESCRIPTION                 | DATE      | DWN | APVD |
| A5        |     | REDRAW BY CAD ECO-16-001981 | 12FEB2016 | NCL | DAO  |



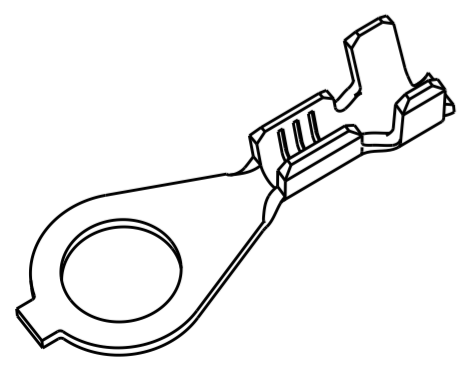
SECTION A-A  
SCALE 10:1



SECTION B-B  
SCALE 10:1



- ① - REBOBINAR INTERCALANDO COM PAPEL  
 - REELING WITH PAPER INTERLEAVE
- ② - OBSOLETE PARTS: OBSOLETE CIS STREAMLINIG  
 PER D.RENAUD / D.SINISI



PERSPECTIVE VIEW  
SCALE 3:1

|   |                 |                           |                            |                    |
|---|-----------------|---------------------------|----------------------------|--------------------|
| ② | <b>OBSOLETE</b> | ESTANHADO / TIN PLATED    | COBRE / COPPER             | 880629-7           |
|   |                 | LATÃO / BRASS             | 880629-6                   | ①                  |
| ② | <b>OBSOLETE</b> | ESTANHADO / TIN PLATED    | BRONZE FOS. / PHOS. BRONZE | 880629-5           |
|   |                 | NIQUELADO / NICKEL PLATED | LATÃO / BRASS              | 880629-4           |
| ② | <b>OBSOLETE</b> | —                         | BRONZE FOS. / PHOS. BRONZE | 880629-3           |
|   |                 | ESTANHADO / TIN PLATED    | LATÃO / BRASS              | 880629-2           |
|   |                 | —                         | LATÃO / BRASS              | 880629-1           |
|   |                 | <b>FINISH</b>             | <b>MATERIAL</b>            | <b>PART NUMBER</b> |

| INS.DIA.RANGE | WIRE RANGE             |
|---------------|------------------------|
| 2,0-3,3mm     | 0,5-1,0mm <sup>2</sup> |

THIS DRAWING IS A CONTROLLED DOCUMENT.

|                   |   |                       |  |                  |         |             |                      |                 |
|-------------------|---|-----------------------|--|------------------|---------|-------------|----------------------|-----------------|
| DIMENSIONS:<br>mm | TOLERANCES UNLESS OTHERWISE SPECIFIED:<br>0 PLC ±<br>1 PLC ±0,4<br>2 PLC ±<br>3 PLC ±<br>4 PLC ±<br>ANGLES ±°<br>FINISH | MATERIAL<br>SEE TABLE | DWN NCLAPRESA 25MAY2015<br>CHK FFORTUNATO 25MAY2015<br>APVD DAO LVEIRA 25MAY2015 | NAME RING TONGUE | SIZE A2 | CAGE CODE - | DRAWING NO. C-880629 | RESTRICTED TO - |
| CUSTOMER DRAWING  |   |                       | SCALE 7,5  | SHEET 1 OF 1     | REV A5  |             |                      |                 |

STE TE Connectivity