

4

3

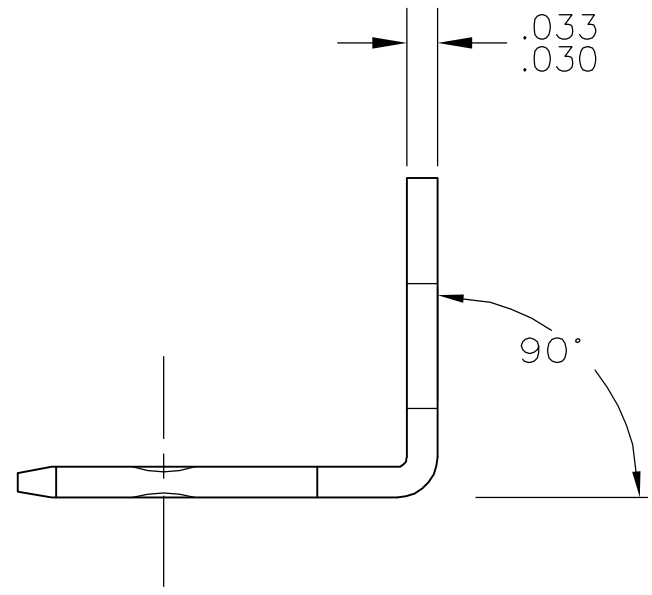
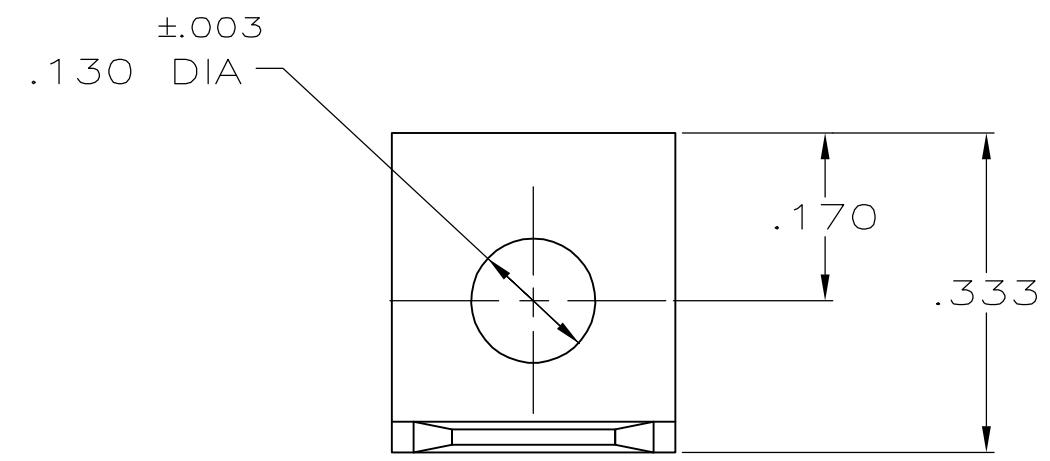
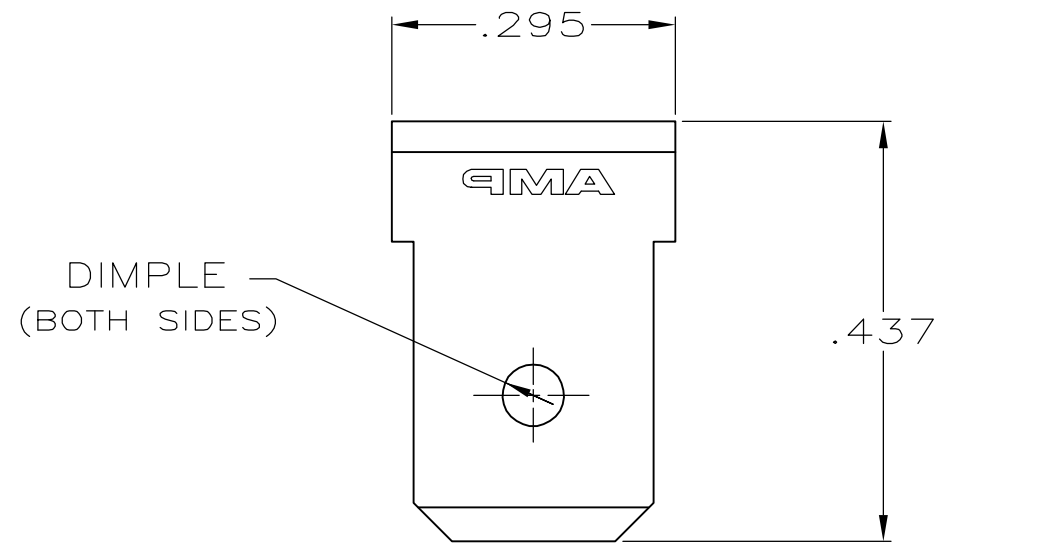
2

1

THIS DRAWING IS UNPUBLISHED. RELEASED FOR PUBLICATION
 © COPYRIGHT - BY TYCO ELECTRONICS CORPORATION. ALL RIGHTS RESERVED.

LOC	DIST	REVISIONS			
P	LTR	DESCRIPTION	DATE	DWN	APVD
AF	50	F	REV PER ECR-05-017287	04APR06	HMR JR

1 SUPPLIED IN LOOSE PIECE.



TIN	42095-1
FINISH	PART NO

THIS DRAWING IS A CONTROLLED DOCUMENT.		DWN	JR RUTH	3/8/95	Tyco Electronics Corporation Harrisburg, PA 17105-3608
DIMENSIONS: INCHES		CHK	MS FEHER	3/8/95	
		APVD	P DESANTIS	3/8/95	
TOLERANCES UNLESS OTHERWISE SPECIFIED:		PRODUCT SPEC		NAME	
0 PLC ± -		-		TAB, FASTON, .250 SERIES	
1 PLC ± -		APPLICATION SPEC		-	
2 PLC ± -		-		SIZE	A3
3 PLC ± .015		-		CAGE CODE	00779
4 PLC ± -		-		DRAWING NO	C-42095
ANGLES ± -		WEIGHT		RESTRICTED TO	
MATERIAL		082 BRASS		-	
FINISH		SEE TABLE		SCALE	5:1
		CUSTOMER DRAWING		SHEET	1 OF 1
				REV	F