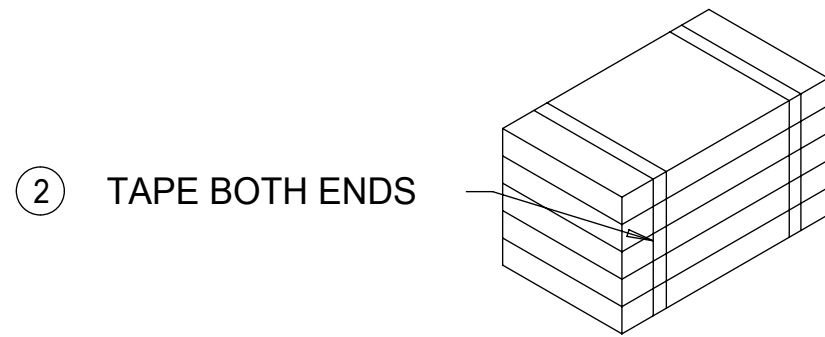
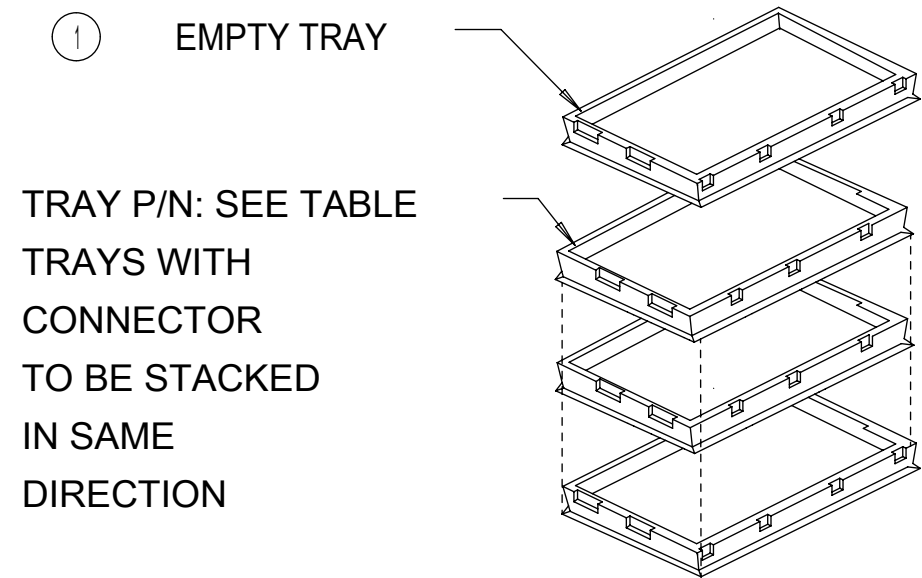


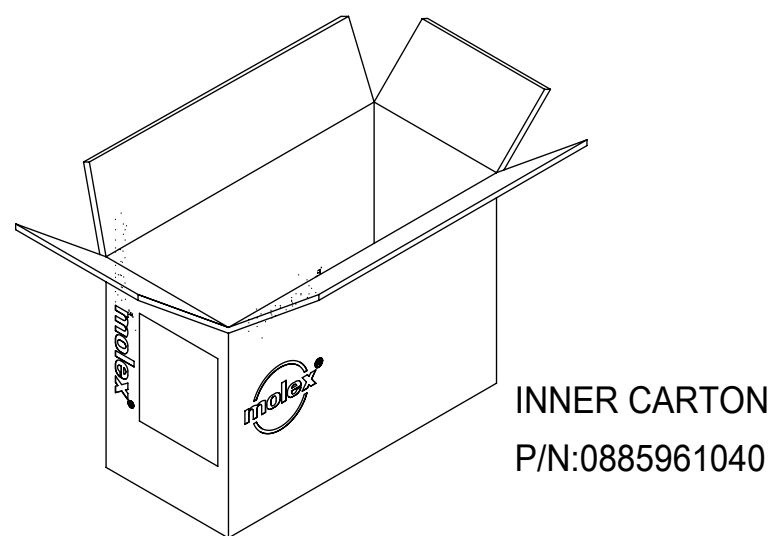
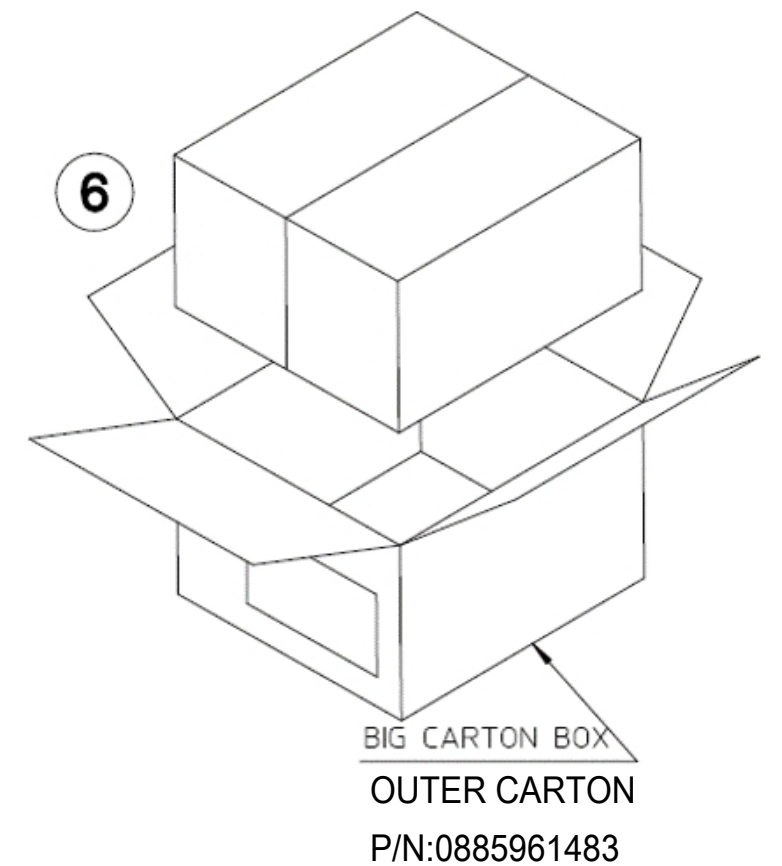
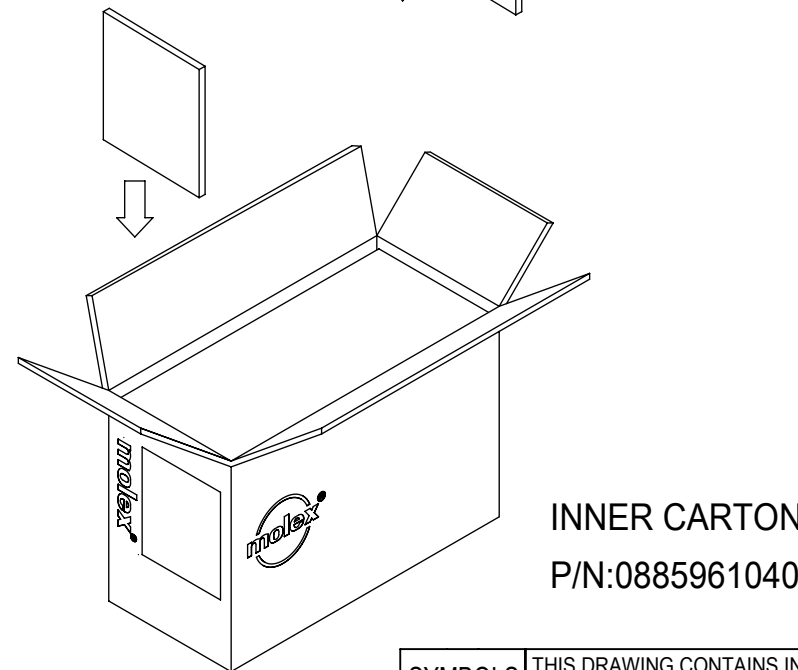
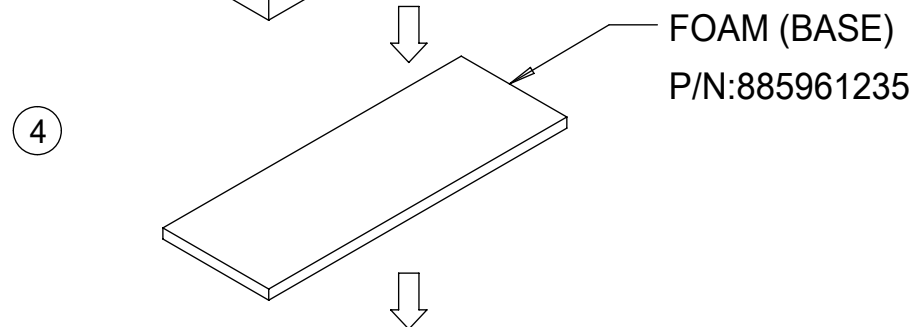
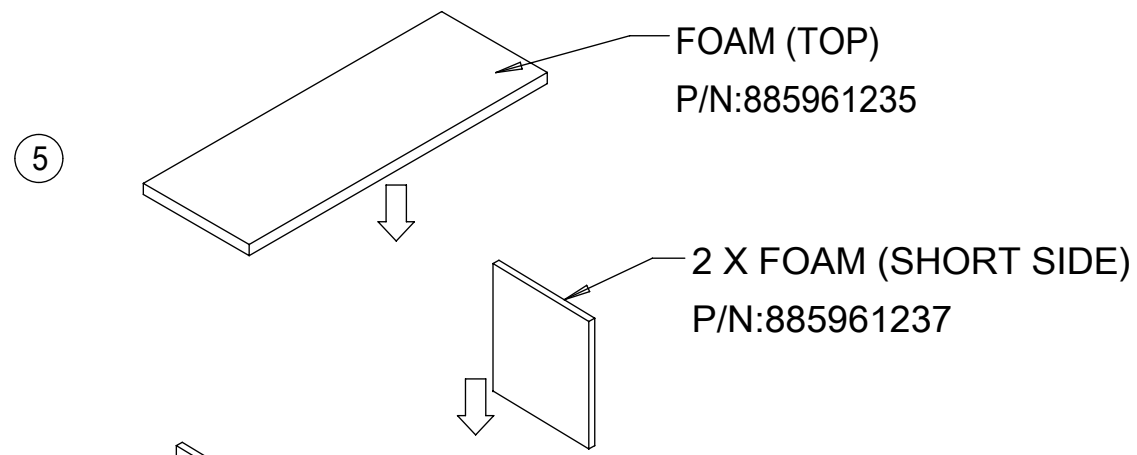
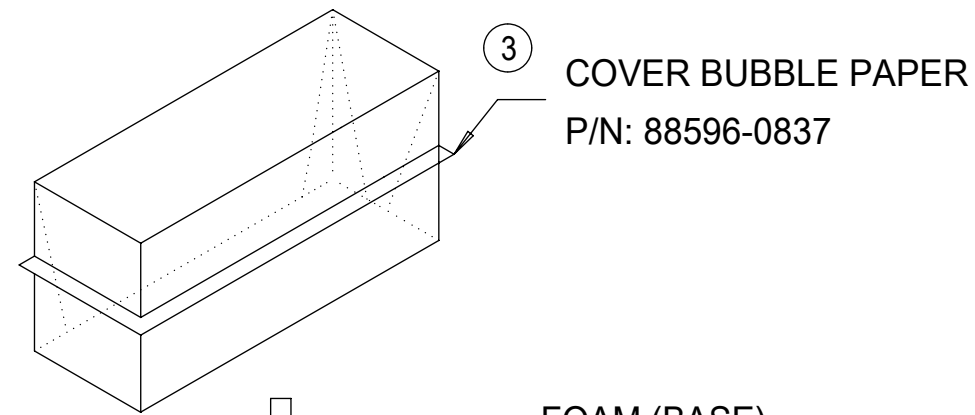
ASSY P/N	TRAY P/N	QTY/TRAY	TRAY/CARTON	QTY/CARTON
172801-0005	173327-0001	30	4+1 (EMPTY TRAY)	240
172801-0006	173328-0001	30	4+1 (EMPTY TRAY)	240
172832-0005	173329-0001	30	4+1 (EMPTY TRAY)	240
172801-0009	173376-0001	20	4+1 (EMPTY TRAY)	160
172801-0045				
172832-0001	173059-0001	20	5+1 (EMPTY TRAY)	200
172832-0045				
172801-0001	173060-0001	20	5+1 (EMPTY TRAY)	200
172832-0009	173377-0001	20	4+1 (EMPTY TRAY)	160

ASSY P/N	TRAY P/N	QTY/TRAY	TRAY/CARTON	QTY/CARTON
172801-0013	173552-0001	20	4+1(EMPTY TRAY)	160
172832-0013	173553-0001	20	4+1(EMPTY TRAY)	160
172801-0010	173685-0001	12	4+1(EMPTY TRAY)	96
172801-0020				
172832-0010	172686-0001	12	4+1(EMPTY TRAY)	96
172832-0020				
173363-0001	172468-0001	30	5+1(EMPTY TRAY)	300
173364-0001	172469-0001	30	5+1(EMPTY TRAY)	300
172801-0035	205168-0001	20	4+1(EMPTY TRAY)	160
172801-0046				
172832-0034	205169-0001	20	4+1(EMPTY TRAY)	160
173832-0046				
172801-0037	206381-0001	20	4+1(EMPTY TRAY)	160
172832-0036	206382-0001	20	4+1(EMPTY TRAY)	160

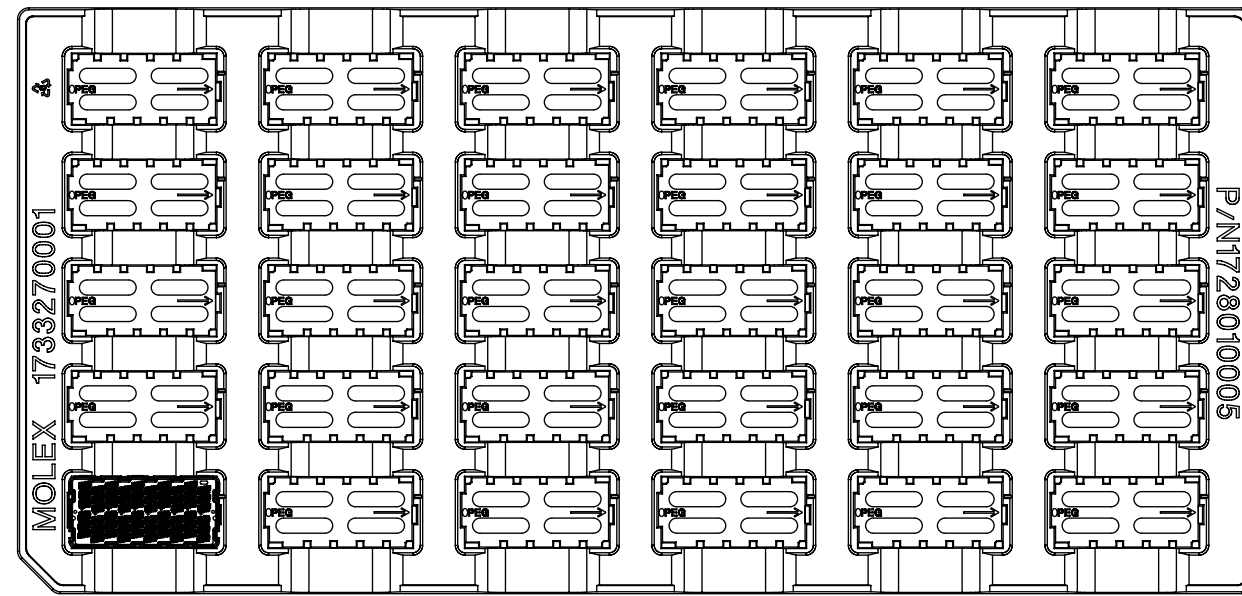


NOTES:

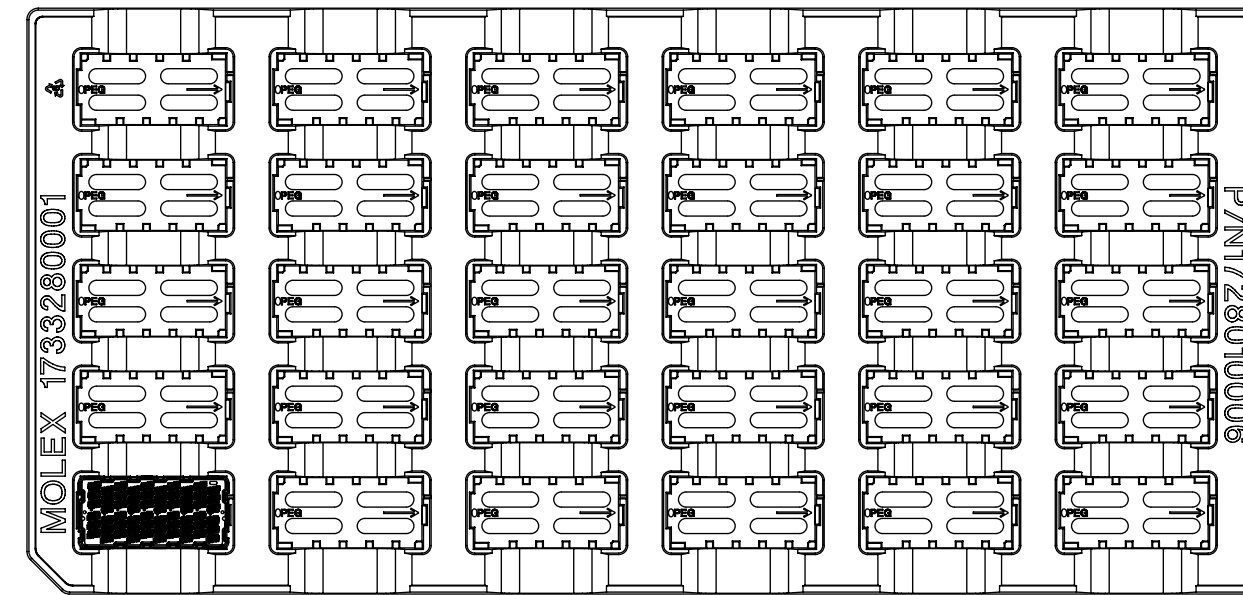
1. PARTS MUST BE PACKED AND ORIENTATED AS PER DETAIL SHOWN.
2. CLOSE CARTON WITH TAPE.



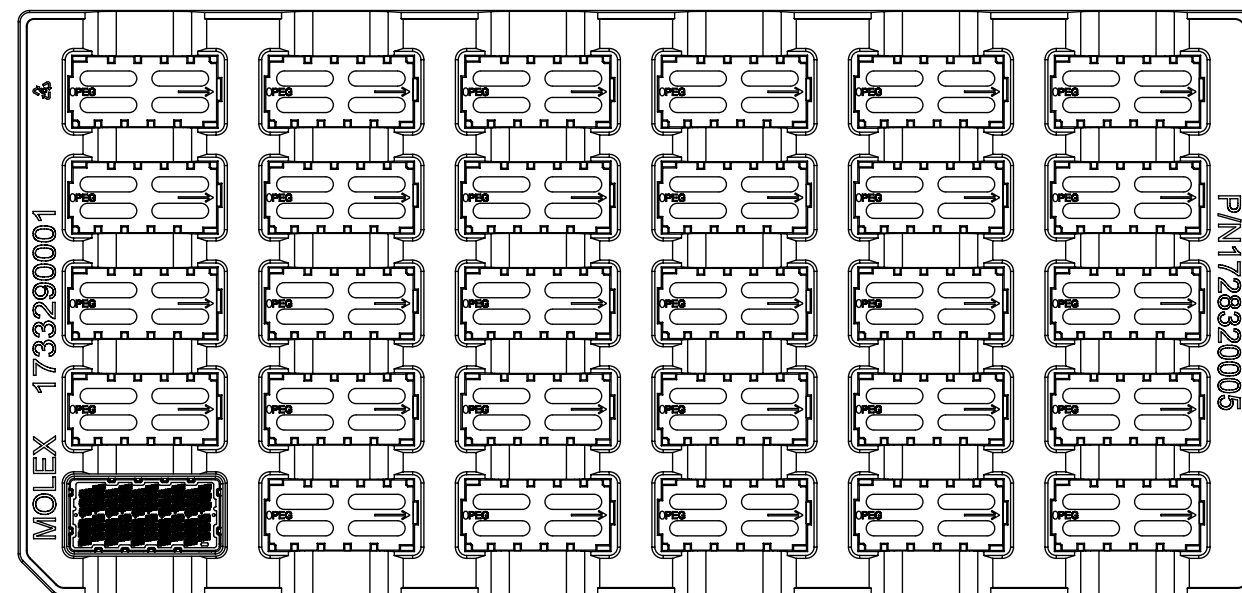
SYMBOLS		THIS DRAWING CONTAINS INFORMATION THAT IS PROPRIETARY TO MOLEX ELECTRONIC TECHNOLOGIES, LLC AND SHOULD NOT BE USED WITHOUT WRITTEN PERMISSION	
DIMENSION UNITS	SCALE	CURRENT REV DESC:	
▽ = 0	mm	1:1	
▽ = 0	GENERAL TOLERANCES (UNLESS SPECIFIED)		
▽ = 0	ANGULAR TOL ± 0.5°		
▽ = 0	4 PLACES	±	
▽ = 0	3 PLACES	±	
▽ = 0	2 PLACES	± 0.13	
▽ = 0	1 PLACE	± 0.25	
▽ = 0	0 PLACES	±	
▽ = 0	DRAFT WHERE APPLICABLE MUST REMAIN WITHIN DIMENSIONS		
		THIRD ANGLE PROJECTION	DRAWING
		C-SIZE	SERIES
		173358	
		EC NO: 638546	2020/05/25
		DRWN: CCHEN103	2020/06/17
		CHK'D: SHLENI	2020/06/17
		APPR: SHLENI	2020/06/17
		INITIAL REVISION:	
		DRWN: RCARLSON	2015/06/30
		APPR: DMCGOWAN	2015/07/01
DOCUMENT NUMBER		DOC TYPE	DOC PART
PK-173358-0001		PDD	001
MATERIAL NUMBER		CUSTOMER	SHEET NUMBER
SEE CHART		GENERAL MARKET	1 OF 7
		REVISION	
		C1	



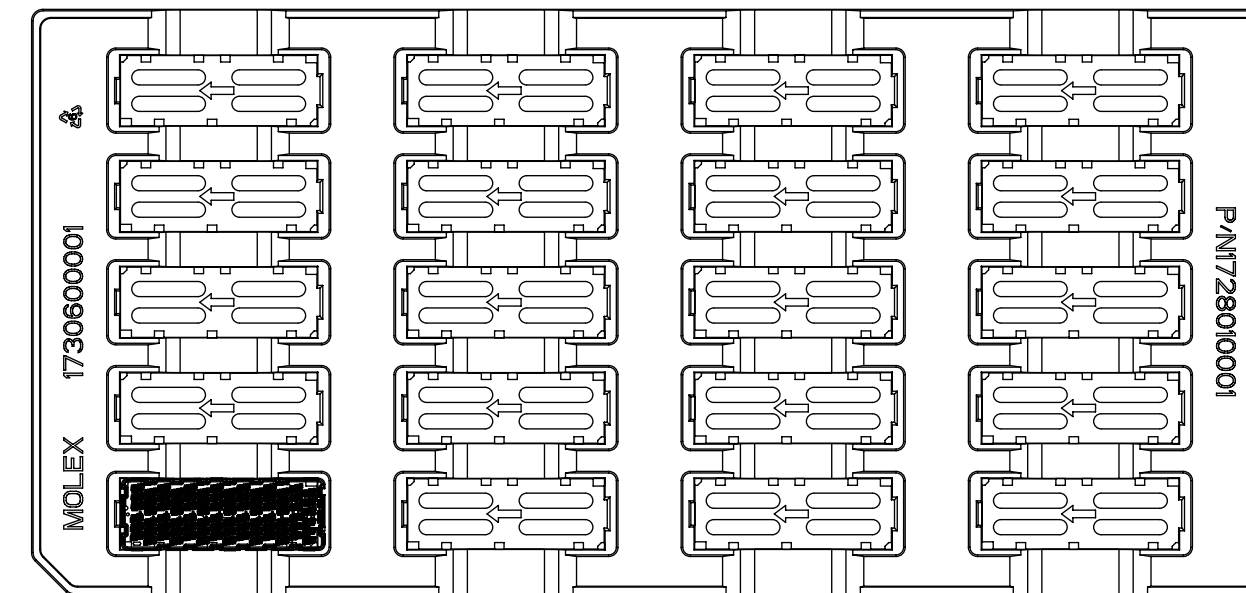
Tray P/N:173327-0001
 Connector:P/N 172801-0005
 Description:6x10 Plug 13.5mm



Tray P/N:173328-0001
 Connector:P/N 172801-0006
 Description:6x10 Plug 21.5mm

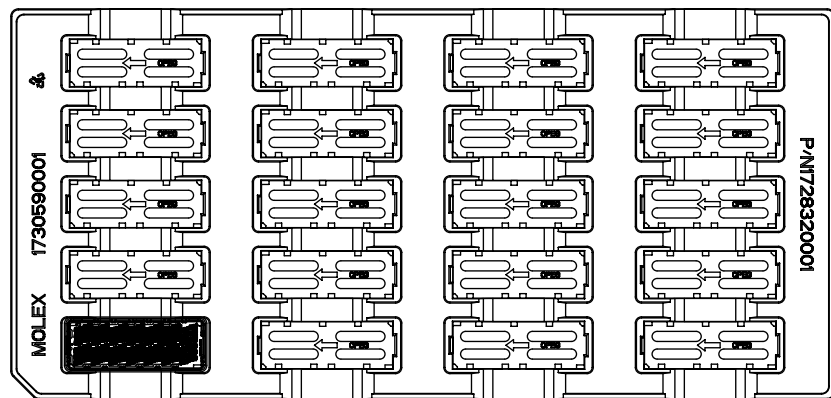


Tray P/N:173329-0001
 Connector:P/N 172832-0005
 Description:6x10 receptacle 18.5mm

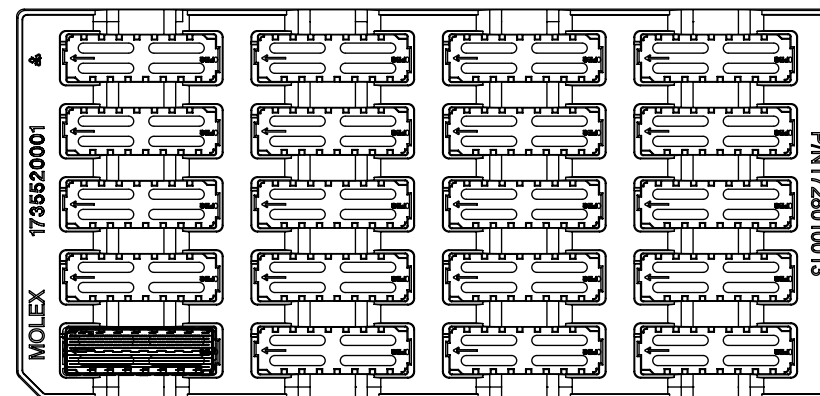


Tray P/N:173060-0001
 Connector:P/N 172801-0001
 Description:6x14 Plug 13.5mm

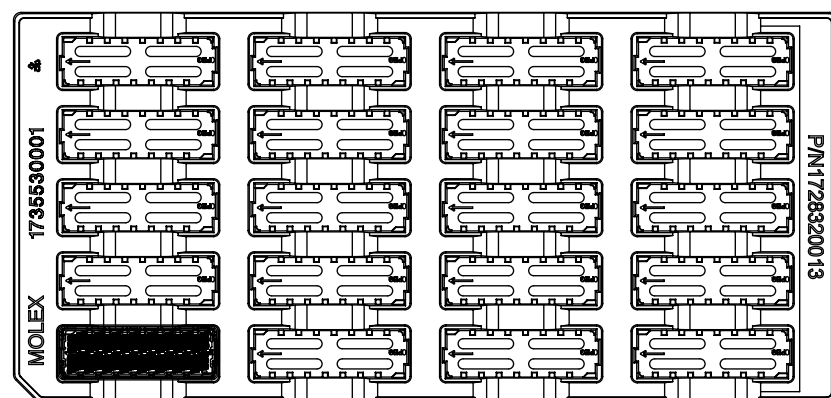
SYMBOLS = 0 = 0 = 0 = 0 = 0 = 0 = 0 = 0	THIS DRAWING CONTAINS INFORMATION THAT IS PROPRIETARY TO MOLEX ELECTRONIC TECHNOLOGIES, LLC AND SHOULD NOT BE USED WITHOUT WRITTEN PERMISSION			
	DIMENSION UNITS	SCALE	CURRENT REV DESC:	
	mm	1:1		
	GENERAL TOLERANCES (UNLESS SPECIFIED)		EC NO: 638546	
	ANGULAR TOL ± 0.5°		DRWN: CCHEN103	2020/05/25
	4 PLACES ±		CHK'D: SHLENI	2020/06/17
3 PLACES ±		APPR: SHLENI	2020/06/17	
2 PLACES ± 0.13		INITIAL REVISION:		
1 PLACE ± 0.25		DRWN: RCARLSON	2015/06/30	
0 PLACES ±		APPR: DMCGOWAN	2015/07/01	
DRAFT WHERE APPLICABLE MUST REMAIN WITHIN DIMENSIONS		THIRD ANGLE PROJECTION	DRAWING SERIES	
			C-SIZE 173358	
		 PACKAGING SPECIFICATION PLUG AND REC NEOPRESS		
		PACKAGING DESIGN DRAWING		
		DOCUMENT NUMBER	DOC TYPE DOC PART REVISION	
		PK-173358-0001	PDD 001 C1	
		MATERIAL NUMBER	CUSTOMER	
		SEE CHART	GENERAL MARKET	
		SHEET NUMBER		
		2 OF 7		



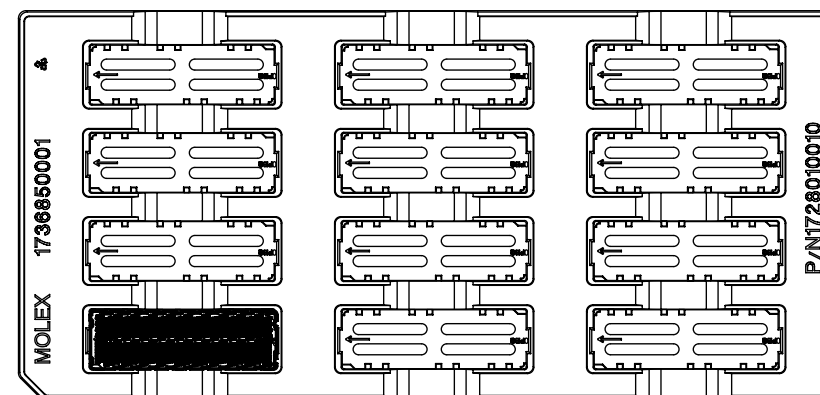
Tray P/N:173059-0001
 Connector:P/N 172832-0001
 Description:6x14 receptacle 13.5mm



Tray P/N:173552-0001
 Connector:P/N 172801-0013
 Description:6x16 Plug 18.5mm

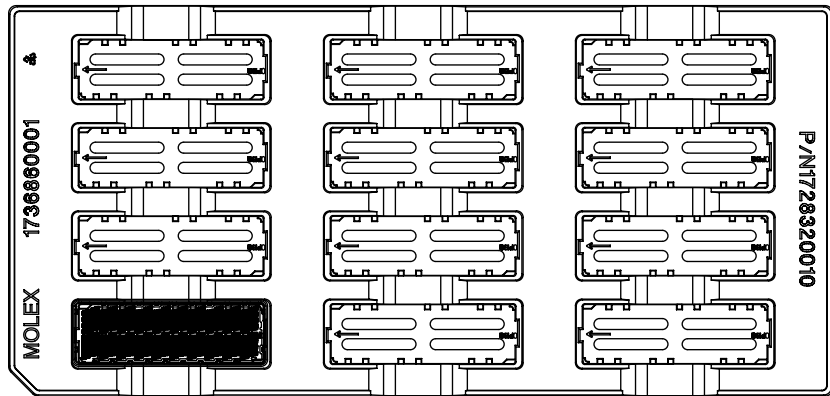


Tray P/N:173553-0001
 Connector:P/N 172832-0013
 Description:6x16 receptacle 18.5mm

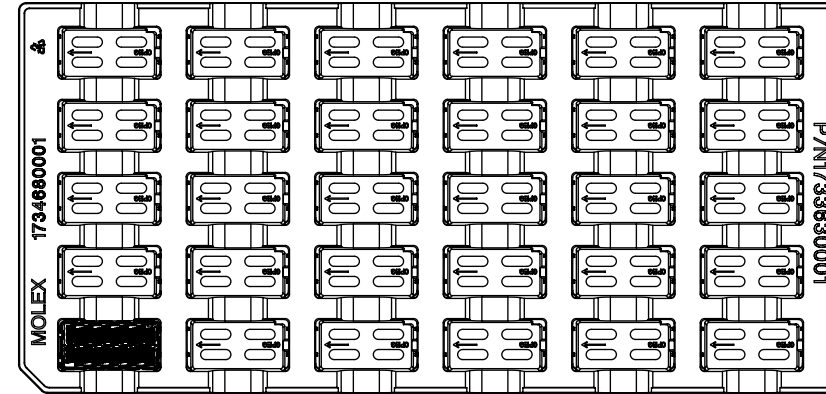


Tray P/N:173685-0001
 Connector:P/N 172801-0010
 Description:8x20 Plug 21.5mm

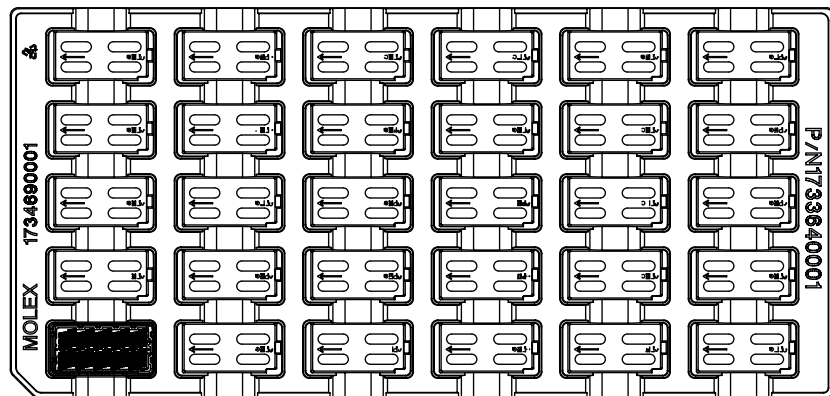
SYMBOLS	THIS DRAWING CONTAINS INFORMATION THAT IS PROPRIETARY TO MOLEX ELECTRONIC TECHNOLOGIES, LLC AND SHOULD NOT BE USED WITHOUT WRITTEN PERMISSION		
	DIMENSION UNITS	SCALE	CURRENT REV DESC:
▽ = 0	mm	1:1	EC NO: 638546 DRWN: CCHEN103 2020/05/25 CHK'D: SHLENI 2020/06/17 APPR: SHLENI 2020/06/17
▽ = 0	GENERAL TOLERANCES (UNLESS SPECIFIED)		
▽ = 0	ANGULAR TOL ± 0.5°		INITIAL REVISION: DRWN: RCARLSON 2015/06/30 APPR: DMCGOWAN 2015/07/01
▽ = 0	4 PLACES ±		
▽ = 0	3 PLACES ±		DOCUMENT NUMBER: PK-173358-0001 DOC TYPE: PDD DOC PART: 001 REVISION: C1
▽ = 0	2 PLACES ± 0.13		
▽ = 0	1 PLACE ± 0.25		MATERIAL NUMBER: SEE CHART CUSTOMER: GENERAL MARKET SHEET NUMBER: 3 OF 7
▽ = 0	0 PLACES ±		
■ = 0	DRAFT WHERE APPLICABLE MUST REMAIN WITHIN DIMENSIONS	THIRD ANGLE PROJECTION	DRAWING: B-SIZE
▽ = 0		SERIES: 173358	



Tray P/N:172686-0005
 Connector:P/N 172832-0010
 Description:8x20 receptacle 18.5mm



Tray P/N:172468-0005
 Connector:P/N 173363-0001
 Description:6x10 Plug 7.5mm



Tray P/N:172469-0005
 Connector:P/N 173364-0001
 Description:6x10 receptacle 13.5mm

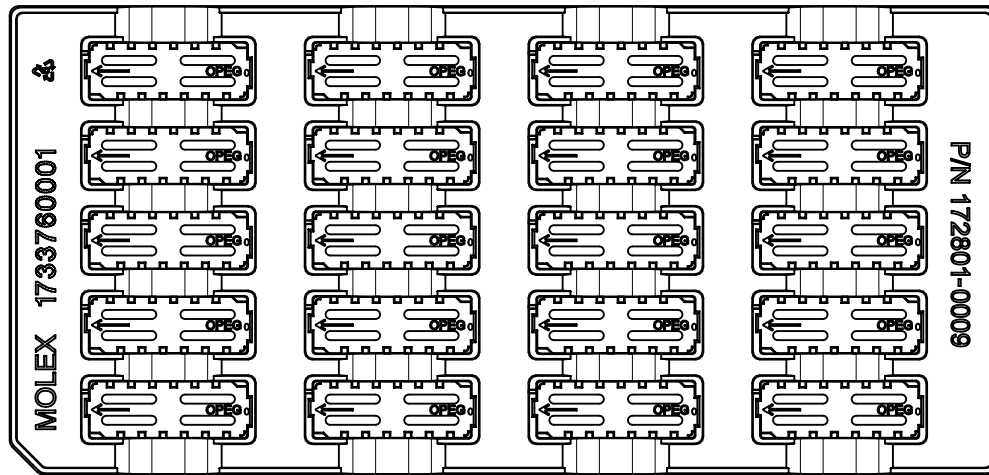
SYMBOLS		THIS DRAWING CONTAINS INFORMATION THAT IS PROPRIETARY TO MOLEX ELECTRONIC TECHNOLOGIES, LLC AND SHOULD NOT BE USED WITHOUT WRITTEN PERMISSION	
DIMENSION UNITS	SCALE	CURRENT REV DESC:	
= 0	mm	1:1	
= 0	GENERAL TOLERANCES (UNLESS SPECIFIED)		
= 0	ANGULAR TOL	± 0.5°	
= 0	4 PLACES	±	
= 0	3 PLACES	±	
= 0	2 PLACES	± 0.13	
= 0	1 PLACE	± 0.25	
= 0	0 PLACES	±	
= 0	DRAFT WHERE APPLICABLE MUST REMAIN WITHIN DIMENSIONS		
		THIRD ANGLE PROJECTION	DRAWING
		SERIES	173358
		MATERIAL NUMBER	SEE CHART
		CUSTOMER	GENERAL MARKET
		SHEET NUMBER	4 OF 7

molex

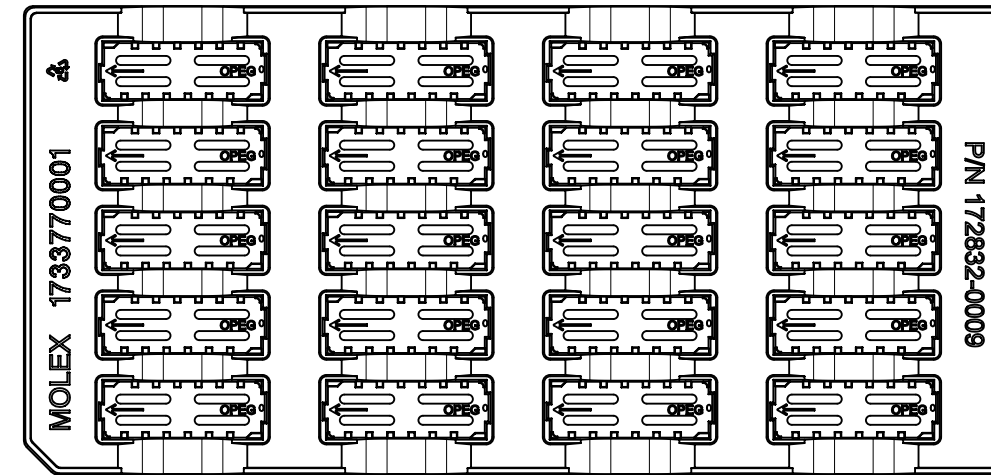
PACKAGING SPECIFICATION
PLUG AND REC NEOPRESS

PACKAGING DESIGN DRAWING

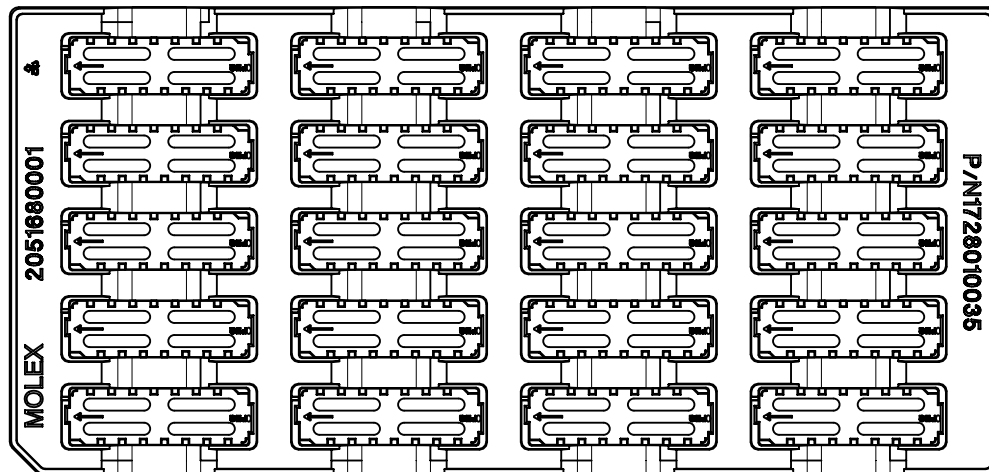
DOCUMENT NUMBER	DOC TYPE	DOC PART	REVISION
PK-173358-0001	PDD	001	C1



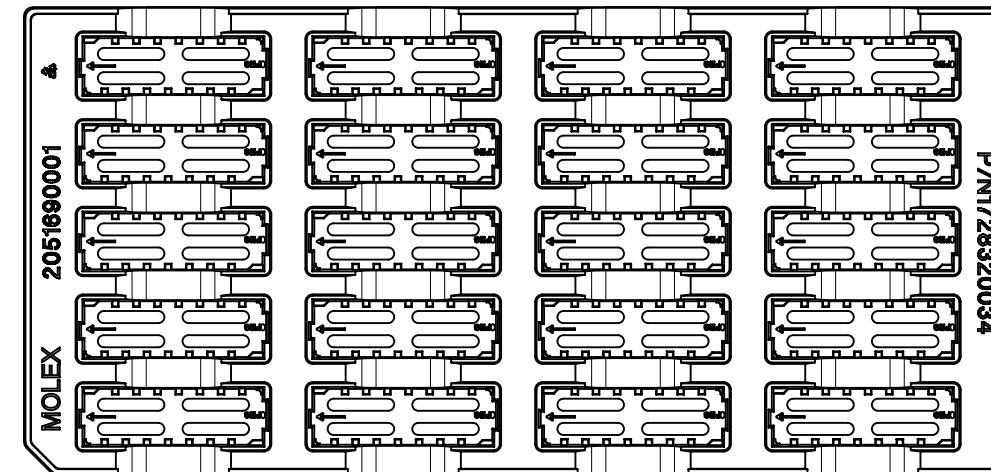
Tray P/N:173376-0001
 Connector:P/N 172801-0009
 Description:6x14 Plug 18.5mm



Tray P/N:173377-0001
 Connector:P/N 172832-0009
 Description:6x14 receptacle 18.5mm



Tray P/N:205168-0001
 Connector:P/N 172801-0035
 Description:6x16 Plug 18.5mm



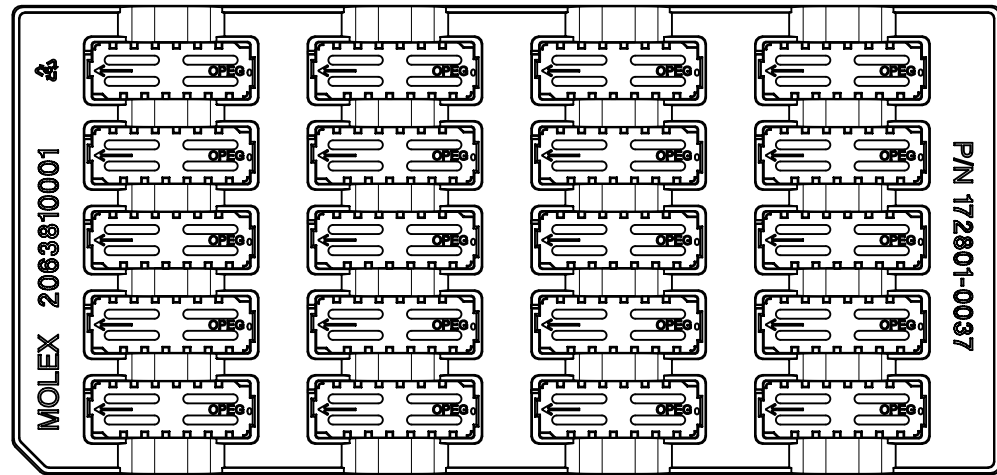
Tray P/N:205169-0001
 Connector:P/N 172832-0034
 Description:6x16 receptacle 18.5mm

SYMBOLS	THIS DRAWING CONTAINS INFORMATION THAT IS PROPRIETARY TO MOLEX ELECTRONIC TECHNOLOGIES, LLC AND SHOULD NOT BE USED WITHOUT WRITTEN PERMISSION		
	DIMENSION UNITS	SCALE	CURRENT REV DESC:
▽ = 0	mm	1:2.5	EC NO: 638546 DRWN: CCHEN103 2020/05/25 CHK'D: SHLENI 2020/06/17 APPR: SHLENI 2020/06/17
▽ = 0	GENERAL TOLERANCES (UNLESS SPECIFIED)		
▽ = 0	ANGULAR TOL ± 0.5°		INITIAL REVISION: DRWN: RCARLSON 2015/06/30 APPR: DMCGOWAN 2015/07/01
▽ = 0	4 PLACES ±		
▽ = 0	3 PLACES ±		DOCUMENT NUMBER: PK-173358-0001 DOC TYPE: PDD DOC PART: 001 REVISION: C1
▽ = 0	2 PLACES ± 0.13		
▽ = 0	1 PLACE ± 0.25		MATERIAL NUMBER: SEE CHART CUSTOMER: GENERAL MARKET SHEET NUMBER: 5 OF 7
▽ = 0	0 PLACES ±		
■ = 0	DRAFT WHERE APPLICABLE MUST REMAIN WITHIN DIMENSIONS		THIRD ANGLE PROJECTION:
▽ = 0		DRAWING: B-SIZE	SERIES: 173358

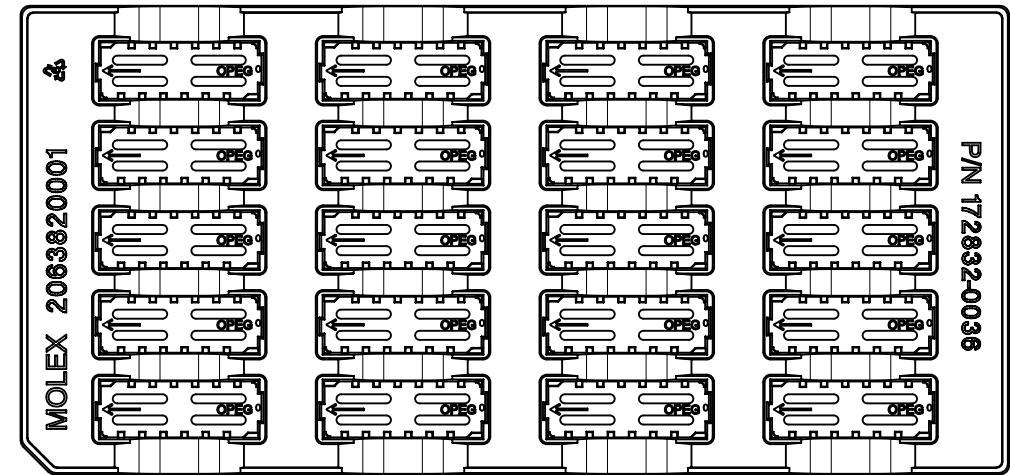
molex

PACKAGING SPECIFICATION
PLUG AND REC NEOPRESS

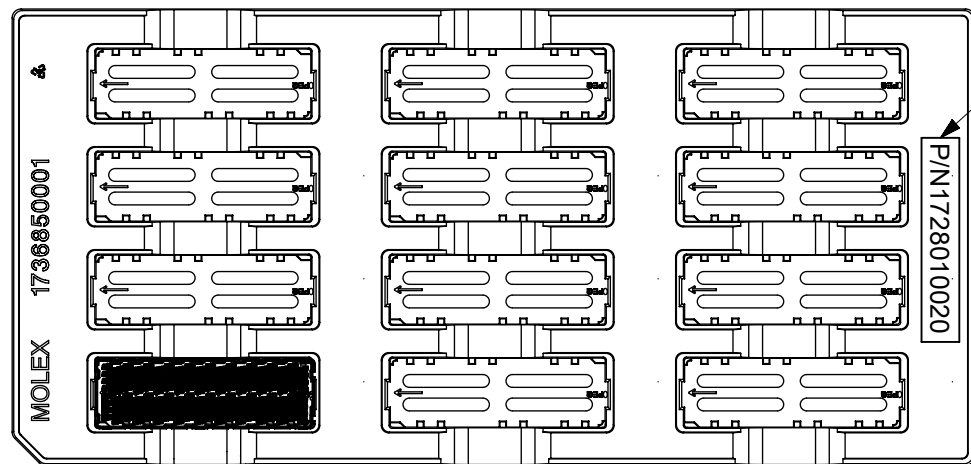
PACKAGING DESIGN DRAWING



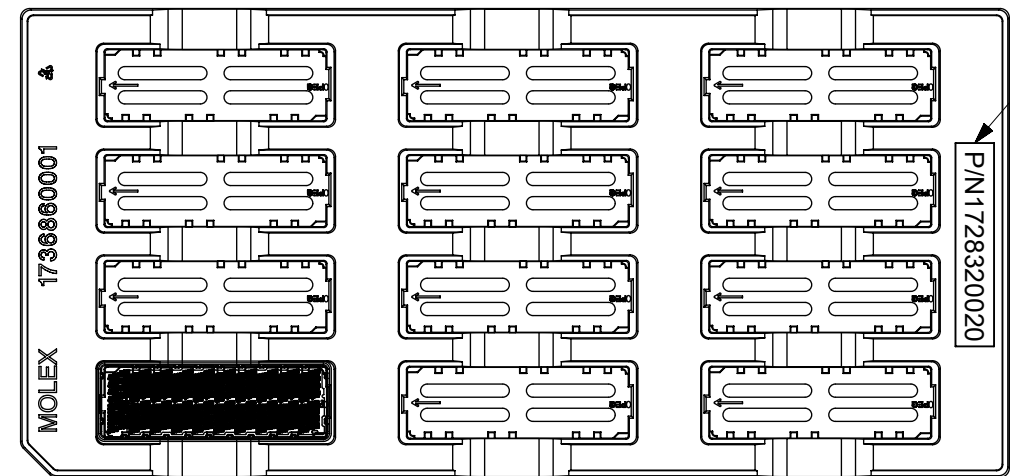
Tray P/N:206381-0001
 Connector:P/N 172801-0037
 Description:6x14 Plug 18.5mm



Tray P/N:206382-0001
 Connector:P/N 172832-0032
 Description:6x14 receptacle 18.5mm

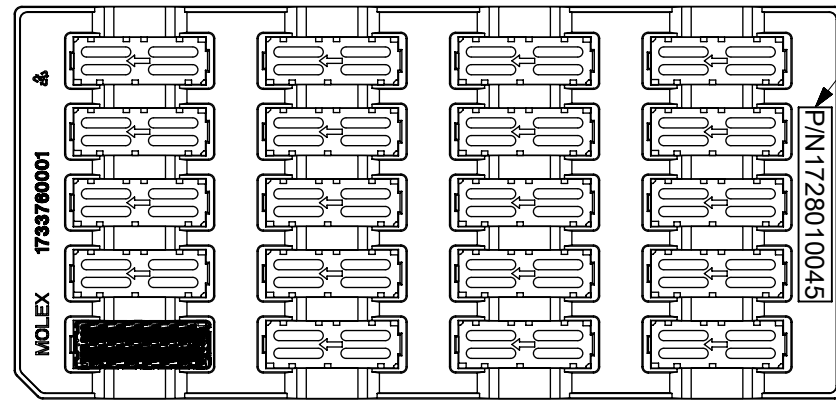


Tray P/N:173685-0001
 Connector:P/N 172801-0020
 Description:8x20 Plug 21.5mm

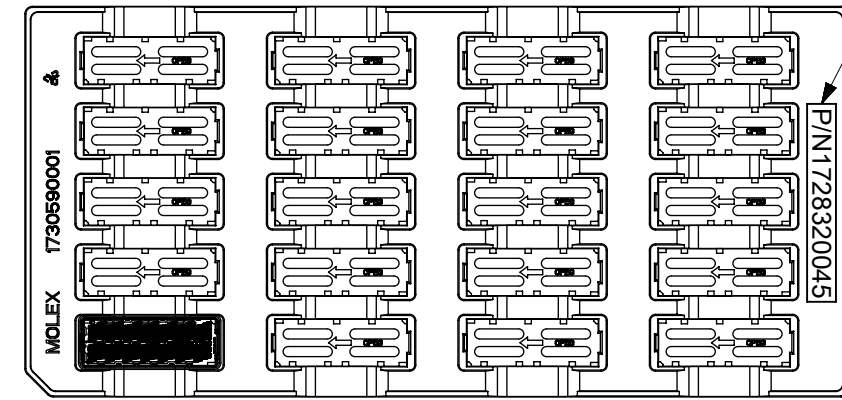


Tray P/N:172686-0005
 Connector:P/N 172832-0020
 Description:8x20 receptacle 21.5mm

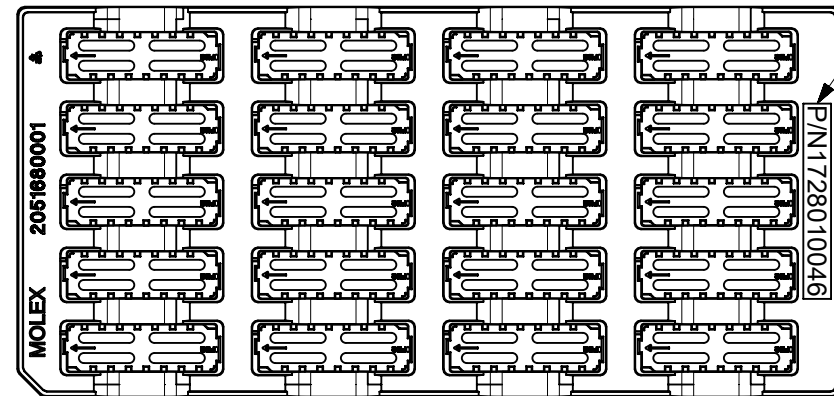
SYMBOLS		THIS DRAWING CONTAINS INFORMATION THAT IS PROPRIETARY TO MOLEX ELECTRONIC TECHNOLOGIES, LLC AND SHOULD NOT BE USED WITHOUT WRITTEN PERMISSION	
DIMENSION UNITS	SCALE	CURRENT REV DESC:	
▽ = 0	mm	1:2	
▽ = 0	GENERAL TOLERANCES (UNLESS SPECIFIED)		
▽ = 0	ANGULAR TOL	± 0.5°	
▽ = 0	4 PLACES	±	
▽ = 0	3 PLACES	±	
▽ = 0	2 PLACES	± 0.13	
▽ = 0	1 PLACE	± 0.25	
▽ = 0	0 PLACES	±	
■ = 0	DRAFT WHERE APPLICABLE MUST REMAIN WITHIN DIMENSIONS		
▽ = 0	THIRD ANGLE PROJECTION	DRAWING	SERIES
		B-SIZE	173358
		EC NO: 638546	
		DRWN: CCHEN103	2020/05/25
		CHK'D: SHLENI	2020/06/17
		APPR: SHLENI	2020/06/17
		INITIAL REVISION:	
		DRWN: RCARLSON	2015/06/30
		APPR: DMCGOWAN	2015/07/01
		DOCUMENT NUMBER	DOC TYPE DOC PART REVISION
		PK-173358-0001	PDD 001 C1
		MATERIAL NUMBER	CUSTOMER
		SEE CHART	GENERAL MARKET
		SHEET NUMBER	
		6 OF 7	



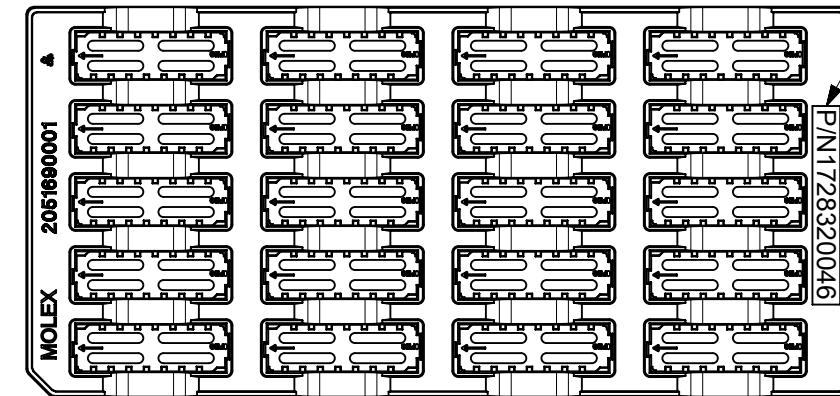
Tray P/N:173376-0001
 Connector:P/N 172801-0045
 Description:6x14 Plug 18.5mm



Tray P/N:173059-0001
 Connector:P/N 172832-0045
 Description:6x14 receptacle 13.5mm



Tray P/N:205168-0001
 Connector:P/N 172801-0046
 Description:6x16 Plug 18.5mm



Tray P/N:205169-0001
 Connector:P/N 172832-0046
 Description:6x16 receptacle 18.5mm

SYMBOLS	THIS DRAWING CONTAINS INFORMATION THAT IS PROPRIETARY TO MOLEX ELECTRONIC TECHNOLOGIES, LLC AND SHOULD NOT BE USED WITHOUT WRITTEN PERMISSION		
	DIMENSION UNITS	SCALE	CURRENT REV DESC:
▽ = 0	mm	1:3	EC NO: 638546 DRWN: CCHEN103 2020/05/25 CHK'D: SHLENI 2020/06/17 APPR: SHLENI 2020/06/17
▽ = 0	GENERAL TOLERANCES (UNLESS SPECIFIED)		
▽ = 0	ANGULAR TOL	± 0.5°	INITIAL REVISION: DRWN: RCARLSON 2015/06/30 APPR: DMCGOWAN 2015/07/01
▽ = 0	4 PLACES	±	
▽ = 0	3 PLACES	±	DOCUMENT NUMBER PK-173358-0001
▽ = 0	2 PLACES	± 0.13	
▽ = 0	1 PLACE	± 0.25	DOC TYPE PDD
▽ = 0	0 PLACES	±	DOC PART 001
▽ = 0	DRAFT WHERE APPLICABLE MUST REMAIN WITHIN DIMENSIONS	THIRD ANGLE PROJECTION	REVISION C1
▽ = 0		DRAWING B-SIZE	SHEET NUMBER 7 OF 7
		SERIES 173358	MATERIAL NUMBER GENERAL MARKET
		CUSTOMER GENERAL MARKET	