

Description

The AP3005 is a 420kHz fixed frequency PWM buck (step-down) DC-DC converter, capable of driving a 2A load with high efficiency, low ripple and excellent line and load regulation. The device includes a voltage reference, an oscillation circuit, an error amplifier, an internal PMOS and etc.

The PWM control circuit is able to adjust the duty ratio linearly from 0 to 100%. The enable function, over current protection function, short circuit protection function and soft-start function are built inside. When OCP or SCP happens, the operation frequency will be reduced from 420kHz to 40kHz. An internal compensation block is employed to minimize external components.

The AP3005 serves as an ideal power supply unit for portable devices, especially for chip set power in portable systems. It's widely used for PDVD, LCD monitor and DPF chip set powers.

The AP3005 is available in SOIC-8 package.

Features

- 2A Constant Output Current
- 130mΩ $R_{DS(ON)}$ Internal Power MOSFET Switch
- Up to 94% Efficiency
- Fixed 420kHz Frequency
- Wide 4.75V to 25V Input Voltage Range
- Output Voltage Adjustable from 0.8V to 21V
- Built in Thermal Shutdown Function
- Built-in Current Limit Function
- Built-in Soft-Start Function
- Support Ceramic or Electrolytic Capacitors

Applications

- Portable DVD
- LCD Monitor/LCD TV
- Digital Photo Frame
- ADSL
- Set-up Box



Figure 1. Package Type of AP3005

Pin Assignments

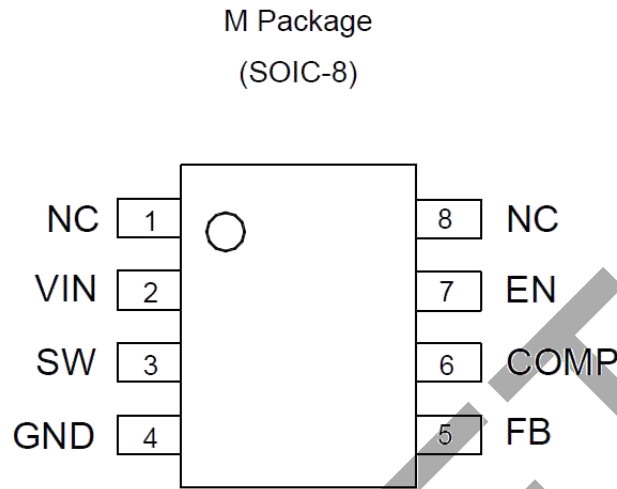


Figure 2. Pin Configuration of AP3005 (Top View)

Pin Descriptions

Pin Number	Pin Name	Function
1, 8	NC	No Connection
2	VIN	Supply Voltage Input Pin. The AP3005 operates from a 4.75V to 25V DC voltage. Bypass VIN to GND with a suitable large capacitor to eliminate noise on the input
3	SW	Power Switch Output Pin. SW is the switch node that supplies power to the output
4	GND	Ground Pin.
5	FB	Feedback Pin. Through an external resistor divider network, FB senses the output voltage and regulates it. To prevent current limit run away in a short circuit fault condition, the frequency feedback comparator lowers the oscillator frequency to 40kHz when the FB voltage is below 0.52V. The feedback threshold voltage is 0.8V
6	COMP	Compensation Pin. This pin is the output of the error amplifier. Frequency compensation is done at this pin by connecting a series RC to ground (parallel a C if necessary)
7	EN	Enable Pin. Drive EN pin high to turn on the device, drive it low to turn off. Default of this pin is high level

OBSOLETE - PART DISCONTINUED

Functional Block Diagram

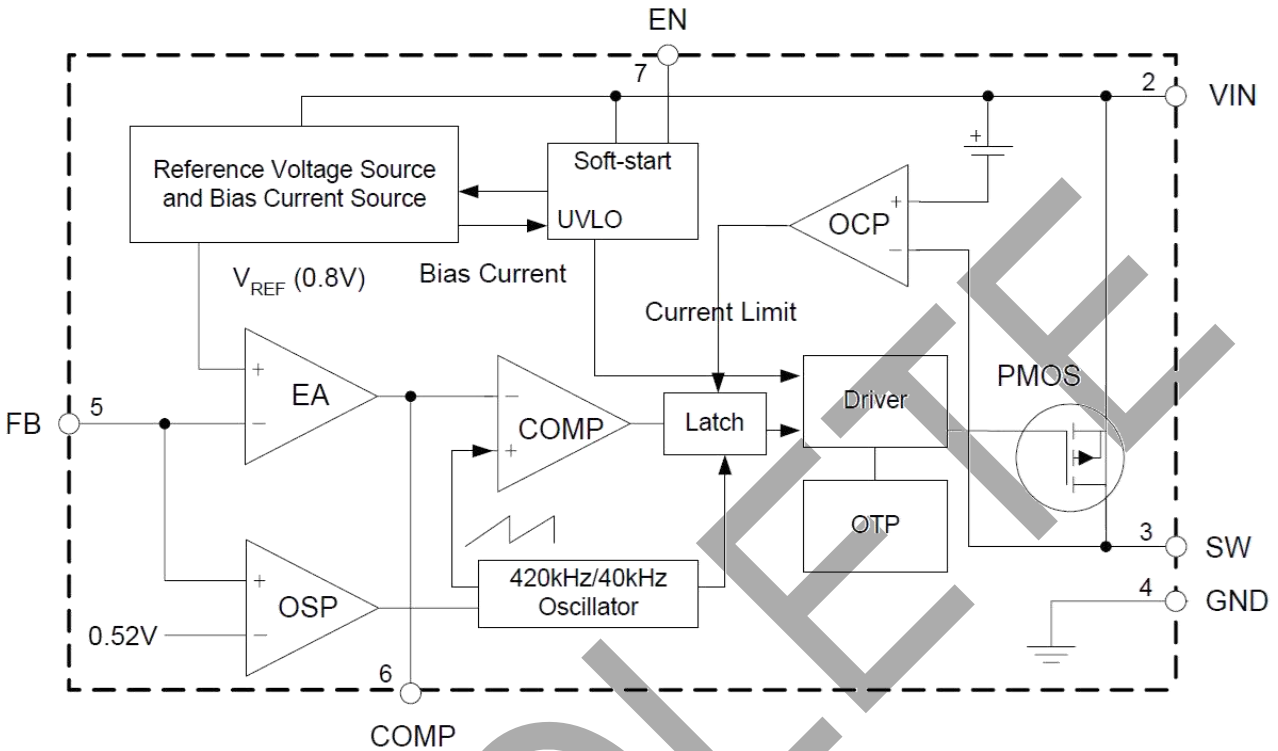
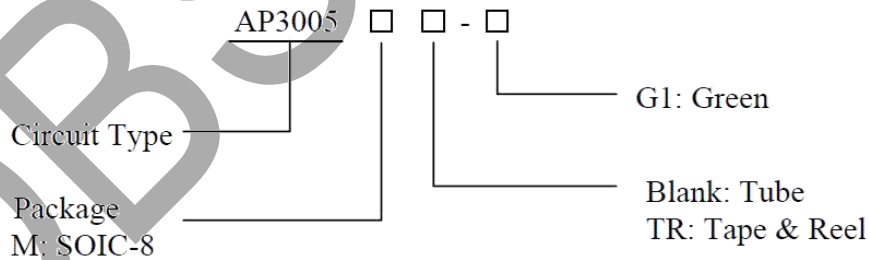


Figure 3. Functional Block Diagram of AP3005

Ordering Information



Package	Temperature Range	Part Number	Marking ID	Packing Type
SOIC-8	-40 to 125°C	AP3005M-G1	3005M-G1	Tube
		AP3005MTR-G1	3005M-G1	Tape & Reel

BCD Semiconductor's Pb-free products, as designated with "G1" suffix in the part number, are RoHS compliant and green.

Absolute Maximum Ratings (Note 1)

Parameter	Symbol	Value	Unit
Input Voltage	V_{IN}	-0.3 to 30	V
FB Pin Voltage	V_{FB}	-0.3 to 6	V
EN Pin Voltage	V_{EN}	-0.3 to V_{IN}	V
COMP Pin Voltage	V_{COMP}	-0.3 to 6	V
SW Pin Voltage	V_{SW}	-0.3 to V_{IN}	V
Power Dissipation	P_D	Internally limited	mW
Thermal Resistance (Junction to Ambient, No Heat Sink, Free Air)	θ_{JA}	100	°C/W
Operating Junction Temperature	T_J	150	°C
Storage Temperature	T_{STG}	-65 to 150	°C
Lead Temperature (Soldering, 10sec)	T_{LEAD}	260	°C
ESD (Human Body Model)	ESD	2000	V

Note 1: Stresses greater than those listed under “Absolute Maximum Ratings” may cause permanent damage to the device. These are stress ratings only, and functional operation of the device at these or any other conditions beyond those indicated under “Recommended Operating Conditions” is not implied. Exposure to “Absolute Maximum Ratings” for extended periods may affect device reliability.

Recommended Operating Conditions

Parameter	Symbol	Min	Max	Unit
Input Voltage	V_{IN}	4.75	25	V
Output Voltage	V_{OUT}	0.8	21	V
Operating Junction Temperature	T_J	-40	125	°C

Electrical Characteristics
 $V_{CC}=12V$, $V_{OUT}=5V$, $T_A=25^{\circ}C$, unless otherwise specified.

Parameters	Symbol	Conditions	Min	Typ	Max	Unit
Input Voltage	V_{IN}		4.75		25	V
Shutdown Quiescent Current	I_{SHDN}	$V_{EN}=0.4V$		44	60	μA
Quiescent Current	I_Q	$V_{EN}=2V$, $V_{FB}=1.3V$		1.3	2.5	mA
Feedback Voltage	V_{FB}	$V_{IN}=5V$ to $25V$	0.784	0.8	0.816	V
Feedback Bias Current	I_{FB}	$V_{FB}=1.3V$		-0.1	-0.5	μA
Switch Current Limit	I_{LIM}	$T_C=25^{\circ}C$	2.5	3.4		A
Oscillator Frequency	f_{OSC}		336	420	504	kHz
Frequency of Current Limit or Short Circuit Protection	f_{OSCI}	$V_{FB}=0.52V$		40		kHz
Error Amplifier Voltage Gain	G_V			1000		V/V
Error Amplifier Transconductance	G_S			700		$\mu A/V$
EN Pin Threshold	V_H		1.5			V
	V_L				0.7	V
EN Pin Input Leakage Current	I_{EN}	$V_{EN}=2.5V$		-5	-10	μA
Internal PMOS ON Resistance	$R_{DS(ON)}$	$V_{IN}=12V$, $V_{FB}=0.65V$, $V_{EN}=12V$, $I_{OUT}=2A$, $T_C=25^{\circ}C$		130	150	m Ω
Maximum Duty Cycle	D_{MAX}	$V_{FB}=0.65V$, $I_{SW}=0.1A$			100	%
Thermal Shutdown	T_{OTSD}			155		$^{\circ}C$
Thermal Shutdown Hysteresis	T_{HYS}			20		$^{\circ}C$

Typical Performance Characteristics ($V_{CC}=12V$, $V_{OUT}=5V$, $T_A=+25^\circ C$, unless otherwise specified.)

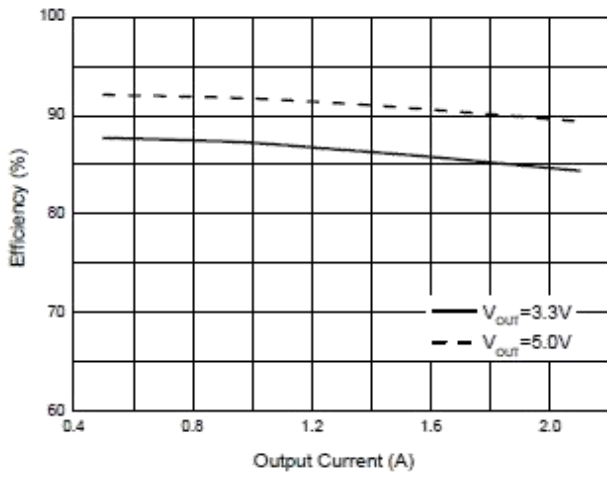


Figure 4. Efficiency vs. Output Current

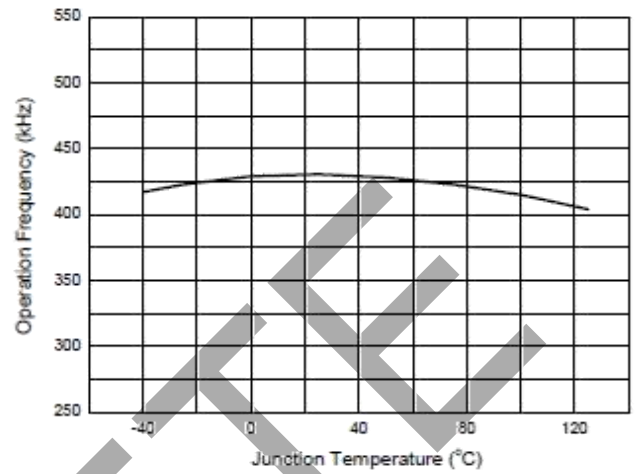


Figure 5. Operation Frequency vs. Junction Temperature

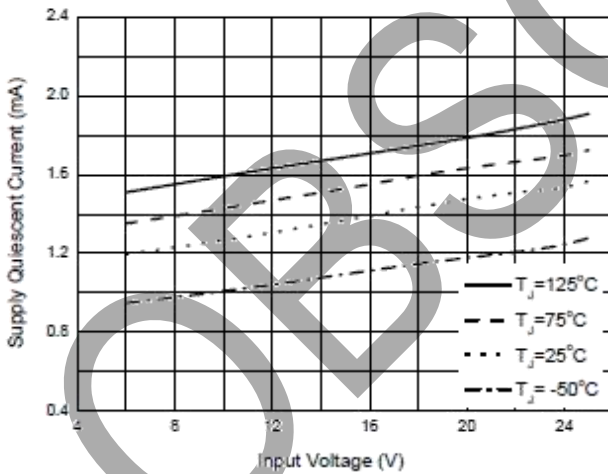


Figure 6. Supply Quiescent Current vs. Input Voltage

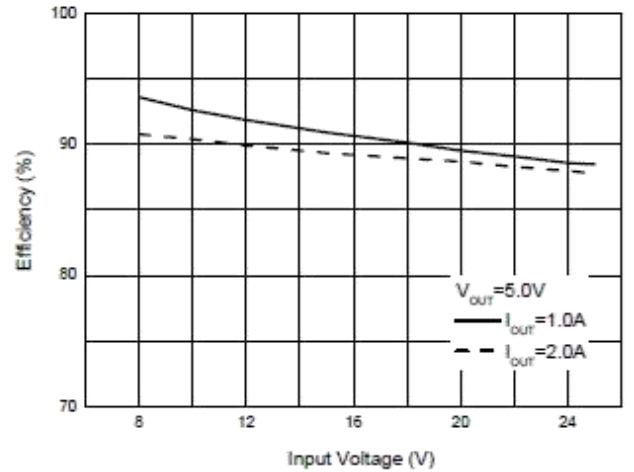


Figure 7. Efficiency vs. Input Voltage

OBSOLETE - PART DISCONTINUED

Typical Performance Characteristics (continued) ($V_{CC}=12V$, $V_{OUT}=5V$, $T_A=+25^\circ C$, unless otherwise specified.)

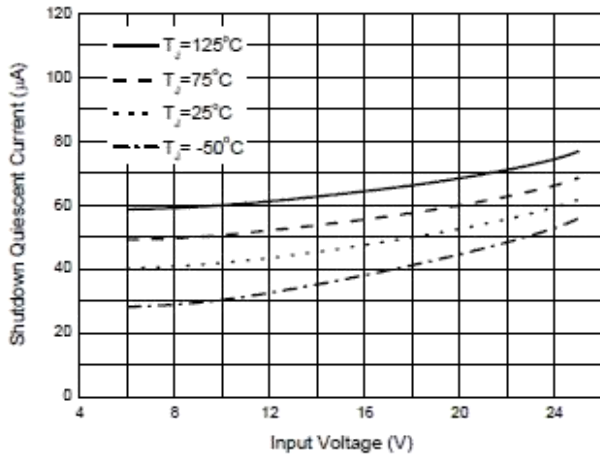


Figure 8. Shutdown Quiescent Current vs. Input Voltage

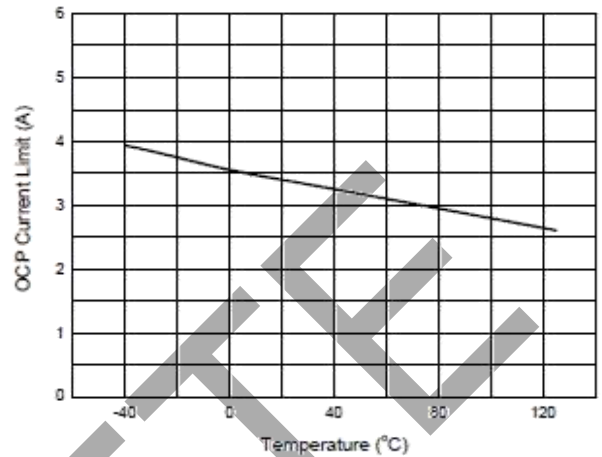


Figure 9. OCP Current Limit vs. Temperature

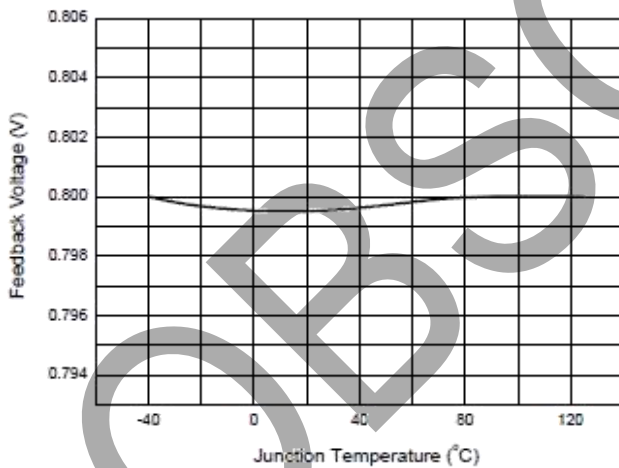


Figure 10. Feedback Voltage vs. Junction Temperature

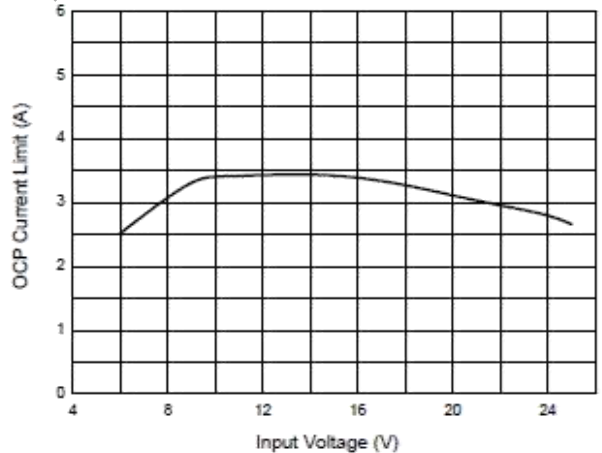


Figure 11. OCP Current Limit vs. Input Voltage

OBSOLETE - PART DISCONTINUED

Typical Performance Characteristics (continued) ($V_{CC}=12V$, $V_{OUT}=5V$, $T_A=+25^{\circ}C$, unless otherwise specified.)

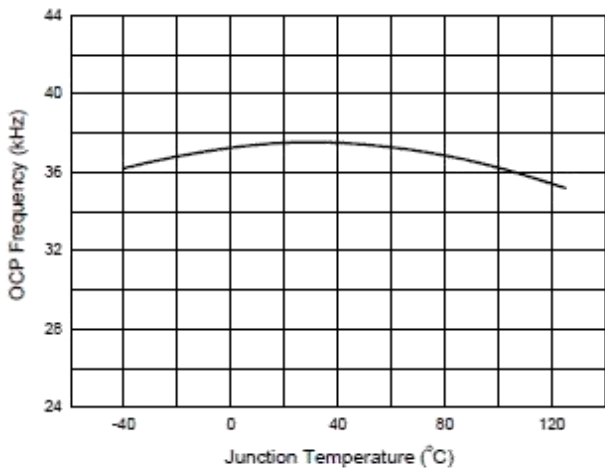


Figure 12. OCP Frequency vs. Junction Temperature

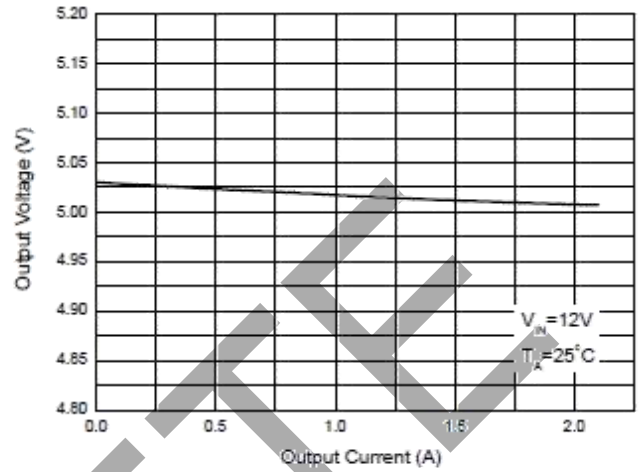


Figure 13. Output Voltage vs. Output Current

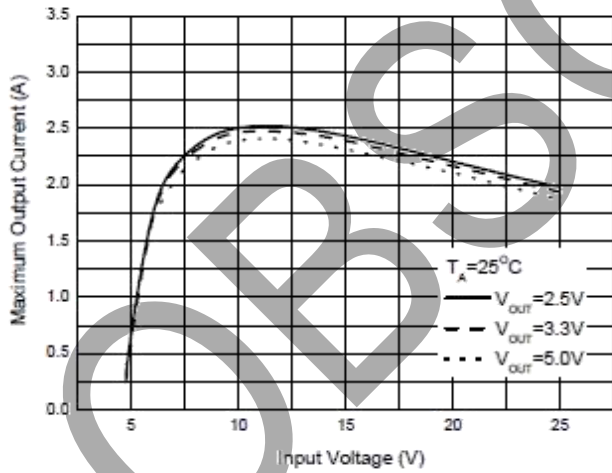


Figure 14. Maximum Output Current vs. Input Voltage

Typical Applications Circuit

($V_{IN}=12V$, $V_{OUT}=5V$, $I_{OUT}=2A$)

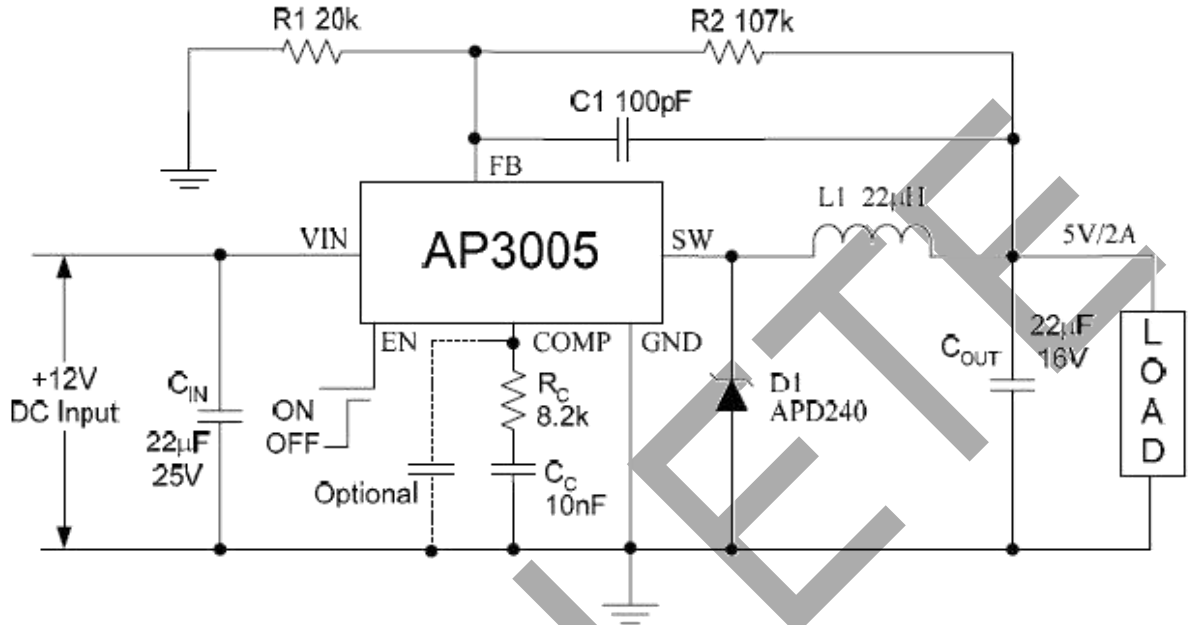


Figure 15. Typical Application 1 of AP3005 Applied with Ceramic Input and Output Capacitors

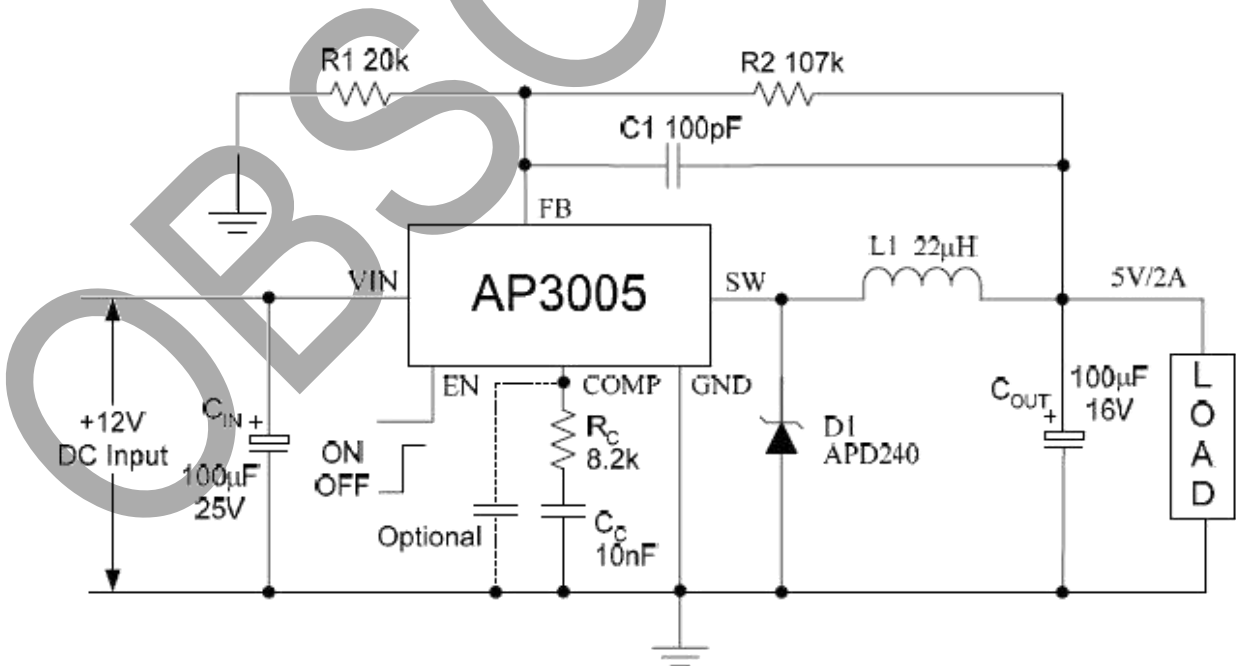


Figure 16. Typical Application 2 of AP3005 Applied with Electrolytic Input and Output Capacitors

OBSOLETE - PART DISCONTINUED

IMPORTANT NOTICE

DIODES INCORPORATED MAKES NO WARRANTY OF ANY KIND, EXPRESS OR IMPLIED, WITH REGARDS TO THIS DOCUMENT, INCLUDING, BUT NOT LIMITED TO, THE IMPLIED WARRANTIES OF MERCHANTABILITY AND FITNESS FOR A PARTICULAR PURPOSE (AND THEIR EQUIVALENTS UNDER THE LAWS OF ANY JURISDICTION).

Diodes Incorporated and its subsidiaries reserve the right to make modifications, enhancements, improvements, corrections or other changes without further notice to this document and any product described herein. Diodes Incorporated does not assume any liability arising out of the application or use of this document or any product described herein; neither does Diodes Incorporated convey any license under its patent or trademark rights, nor the rights of others. Any Customer or user of this document or products described herein in such applications shall assume all risks of such use and will agree to hold Diodes Incorporated and all the companies whose products are represented on Diodes Incorporated website, harmless against all damages.

Diodes Incorporated does not warrant or accept any liability whatsoever in respect of any products purchased through unauthorized sales channel. Should Customers purchase or use Diodes Incorporated products for any unintended or unauthorized application, Customers shall indemnify and hold Diodes Incorporated and its representatives harmless against all claims, damages, expenses, and attorney fees arising out of, directly or indirectly, any claim of personal injury or death associated with such unintended or unauthorized application.

Products described herein may be covered by one or more United States, international or foreign patents pending. Product names and markings noted herein may also be covered by one or more United States, international or foreign trademarks.

This document is written in English but may be translated into multiple languages for reference. Only the English version of this document is the final and determinative format released by Diodes Incorporated.

LIFE SUPPORT

Diodes Incorporated products are specifically not authorized for use as critical components in life support devices or systems without the express written approval of the Chief Executive Officer of Diodes Incorporated. As used herein:

A. Life support devices or systems are devices or systems which:

1. are intended to implant into the body, or
2. support or sustain life and whose failure to perform when properly used in accordance with instructions for use provided in the labeling can be reasonably expected to result in significant injury to the user.

B. A critical component is any component in a life support device or system whose failure to perform can be reasonably expected to cause the failure of the life support device or to affect its safety or effectiveness.

Customers represent that they have all necessary expertise in the safety and regulatory ramifications of their life support devices or systems, and acknowledge and agree that they are solely responsible for all legal, regulatory and safety-related requirements concerning their products and any use of Diodes Incorporated products in such safety-critical, life support devices or systems, notwithstanding any devices- or systems-related information or support that may be provided by Diodes Incorporated. Further, Customers must fully indemnify Diodes Incorporated and its representatives against any damages arising out of the use of Diodes Incorporated products in such safety-critical, life support devices or systems.

Copyright © 2020, Diodes Incorporated

www.diodes.com