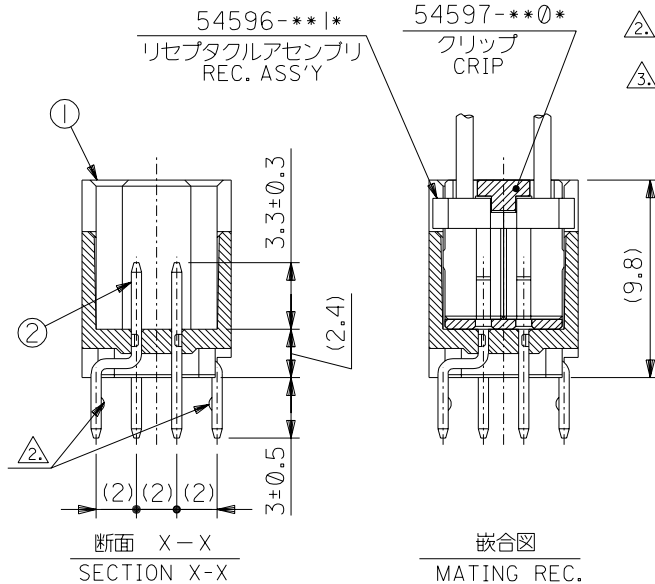
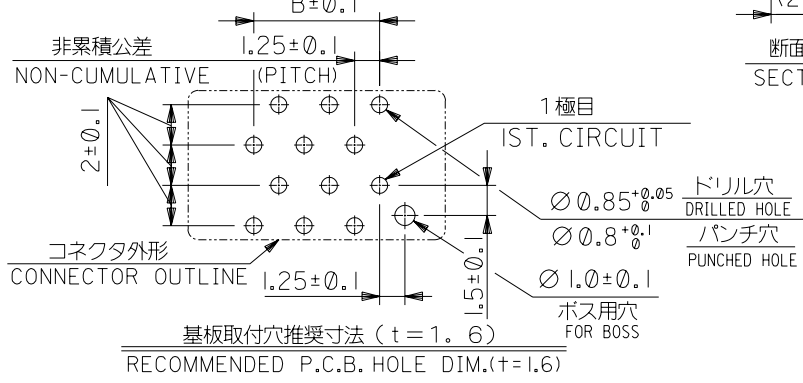
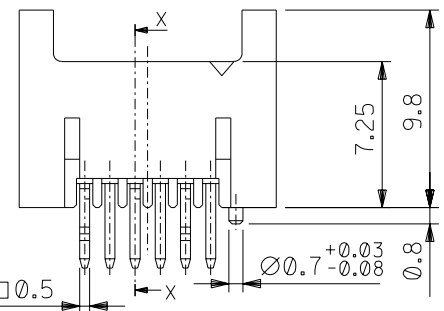
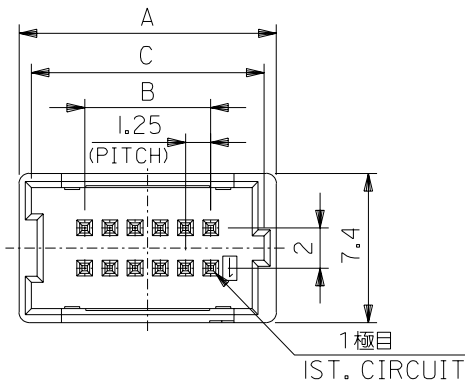


DWG. NO. SD-55451-006



無鉛 LEAD FREE

番号 NO.	名称 NAME	原料 MATERIAL	数量 QTY	仕上げ FINISH
①	ウエハー WEFAR	ナイロン NYLON	1	UL94V-0
②	ピン PIN	黄銅 BRASS	N	全体錫メッキ PRE-TINNED

注)NOTES

- 1. 原料および仕上げ: 表参照 MATERIAL AND FINISH: SEE CHART
- 2. キングは、両サイド4ピンに適用。(4極品までは、全極に適用) TO BE APPLICABLE 4 PIN OF BOTH SIDE.
- 3. 製品番号 MATERIAL NO. 55451-***7*

極数 CIRCUIT SIZE (10 ~ 40)
メッキ仕様: 無鉛 PLATING: LEAD FREE
色 COLOR 0: 自然色 NATURAL

29.05	23.75	30.25	40	55451-407*
27.8	22.5	29	38	-387*
26.55	21.25	27.75	36	-367*
25.3	20	26.5	34	-347*
24.05	18.75	25.25	32	-327*
22.8	17.5	24	30	-307*
21.55	16.25	22.75	28	-287*
20.3	15	21.5	26	-267*
19.05	13.75	20.25	24	-247*
17.8	12.5	19	22	-227*
16.55	11.25	17.75	20	-207*
15.3	10	16.5	18	-187*
14.05	8.75	15.25	16	-167*
12.8	7.5	14	14	-147*
11.55	6.25	12.75	12	-127*
10.3	5	11.5	10	55451-107*
C	B	A	極数 CIRCUIT SIZE	製品番号 MATERIAL NO.

MODEL NO.	55451-***7*
SHT	REV
DIMENSIONS: <input type="checkbox"/> mm <input type="checkbox"/> INCH <input checked="" type="checkbox"/> mm ONLY	
REVISION ON CAD ONLY	

DO NOT SCALE DRAWING

EC NO.	DRWN:	CHK:	APPR:	EC NO.	DRWN:	CHK:	APPR:	EC NO.	DRWN:	CHK:	APPR:	EC NO.	DRWN:	CHK:	APPR:	EC NO.	DRWN:	CHK:	APPR:	DESCRIPTION	MATERIAL 材料	GENERAL TOLERANCES: (UNLESS SPECIFIED) 一般公差	SCALE 4-1	DESIGN UNITS <input checked="" type="checkbox"/> mm <input type="checkbox"/> INCH	THIRD ANGLE PROJECTION <input checked="" type="checkbox"/>	TITLE:	MATERIAL NO.	DRAWING NO.	SHEET NO.				
																				新規作成 RELEASED	SEE CHART	10 UNDER 未満	±0.2	DRAWN BY & DATE N. YOSHIDA 03/02/12	MOLEX MOLEX INCORPORATED	SEE CHART	55451006.S01	SD-55451-006	1 OF 1				
																				EC NO. J2003-2786	FINISH 仕上げ	10 OVER 30 UNDER 以上 未満	±0.25	CHECKED BY & DATE									
																				DRWN: N. YOSHIDA 03/05/01	WIRE RANGE 適用線径範囲	30 OVER 以上	±0.3	APPROVED BY & DATE									
																				CHK: M. YAGI	INS. RANGE 被覆外径												
																				APPR: YO. ITO													

THIS DRAWING CONTAINS INFORMATION THAT IS PROPRIETARY TO MOLEX INCORPORATED AND SHOULD NOT BE USED WITHOUT WRITTEN PERMISSION. SIZE B