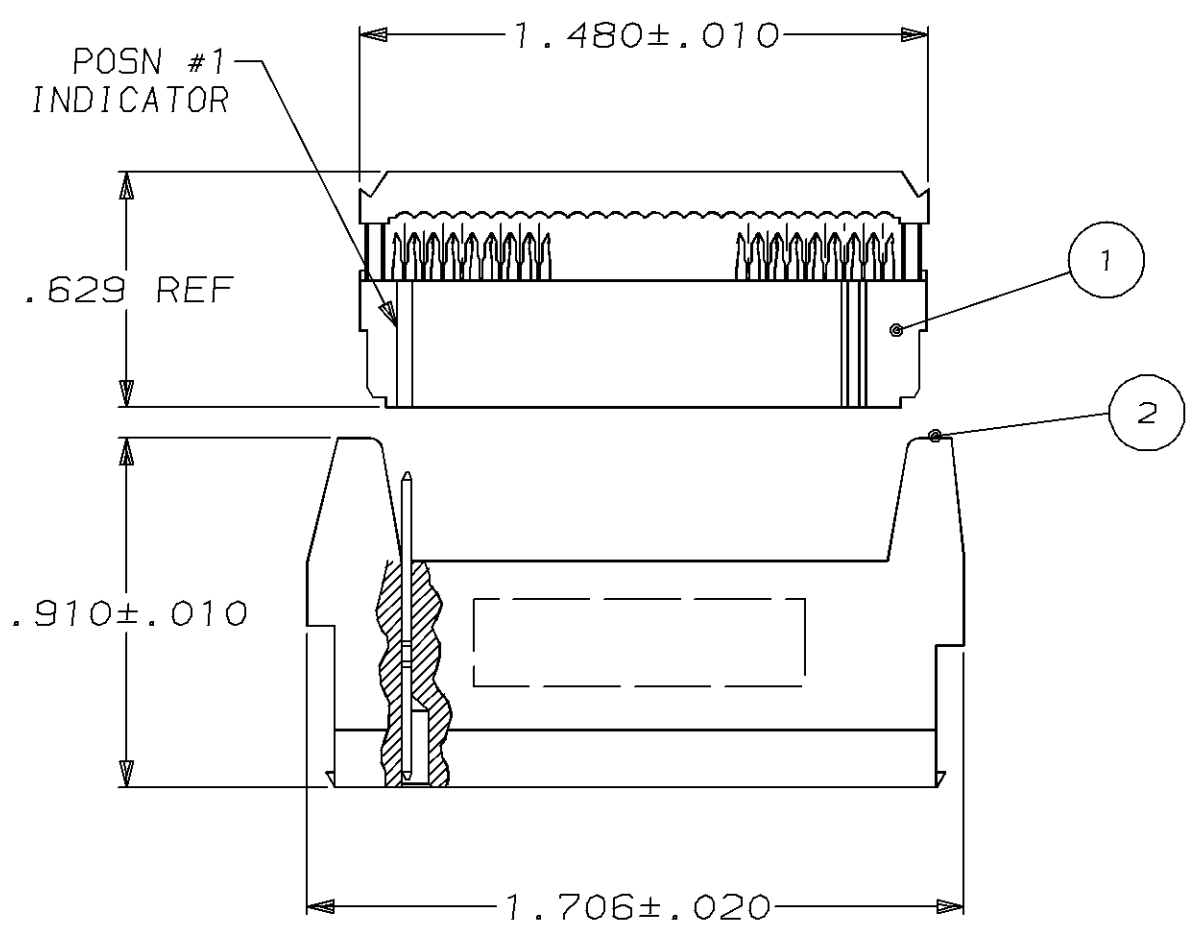


LOC	DIST	REVISIONS					
DF	EO	P	LTR	DESCRIPTION	DATE	DWN	APVD
			0	DRAW PER NPR 0600-2793-94	11-94	JB	DM



1. HOUSING MATERIAL: BLACK THERMOPLASTIC
2. CONTACT MATERIAL, AMP-LATCH: PHOS BRONZE PLATED WITH GOLD ON MATING END AND TIN ON TERMINATION END OVER NICKEL.
3. CONTACT MATERIAL, RCPT MODULE: COPPER ALLOY PLATED WITH GOLD OVER NICKEL.

-	RECEPTACLE MODULE,	2
-	AMP-LATCH NOVO,	1
-1	DESCRIPTION	ITEM #

THIS DRAWING IS UNPUBLISHED. BY AMP INCORPORATED. ALL RIGHTS RESERVED. COPYRIGHT 19

DIMENSIONS: mm	DWN J. A. Baker	11-06-94	MATERIAL	-	FINISH	-
	CHK D. B. MUMMEY	12-02-94	AMP AMP Incorporated Harrisburg, PA 17105-3608			
TOLERANCES UNLESS OTHERWISE SPECIFIED:	APVD D. B. MUMMEY	12-02-94				
0 PLC ±-	PRODUCT SPEC	-	NAME MODULE & RIBBON CABLE CONN KIT, 26 POSN CR			
1 PLC ±-	APPLICATION SPEC	-	SIZE	CAGE CODE	DRAWING NO	
2 PLC ±-			A4	00779	C=443044	
3 PLC ±-			CUSTOMER DRAWING			
4 PLC ±-	WEIGHT	-	SCALE	2:1	SHEET	1 OF 1
ANGLES ±-					REV	0