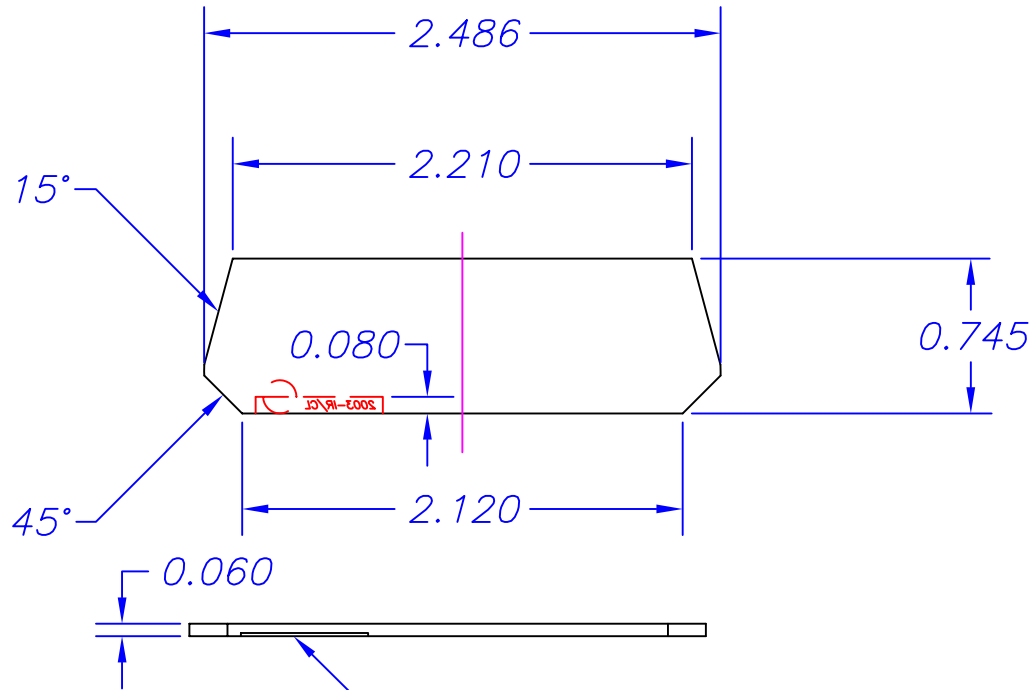


NO.	REVISION	DATE
N/A		5/96



.625 X .015 DEEP
PART NO. PAD

P/N	MATERIAL
2003-IR	INFRARED LEXAN 101-21125
2003-CL	CLEAR TERLUX 2802TR(BASF)

TITLE A-20 END PANEL IR/CL				DES. D.CHAMBERS		6/93	P/N 2003IR OR CL
TOLERANCE			MAT'L		DRWN. ROB ROY		
DECIMAL	FRAC.	ANG.	SHEET NO. 1	SCALE 1=1	CKD.		
.XX ±.010	.XXX ±.005	±1/64 ±1/2°	NO. OF SHTS. 1	DWG NO. A-20IRCL	APPR.		
					SERPAC		
					612 COMMERCIAL AVE., COVINA, CA. 91723 (818) 331-0517 FAX: (818) 331-8584		