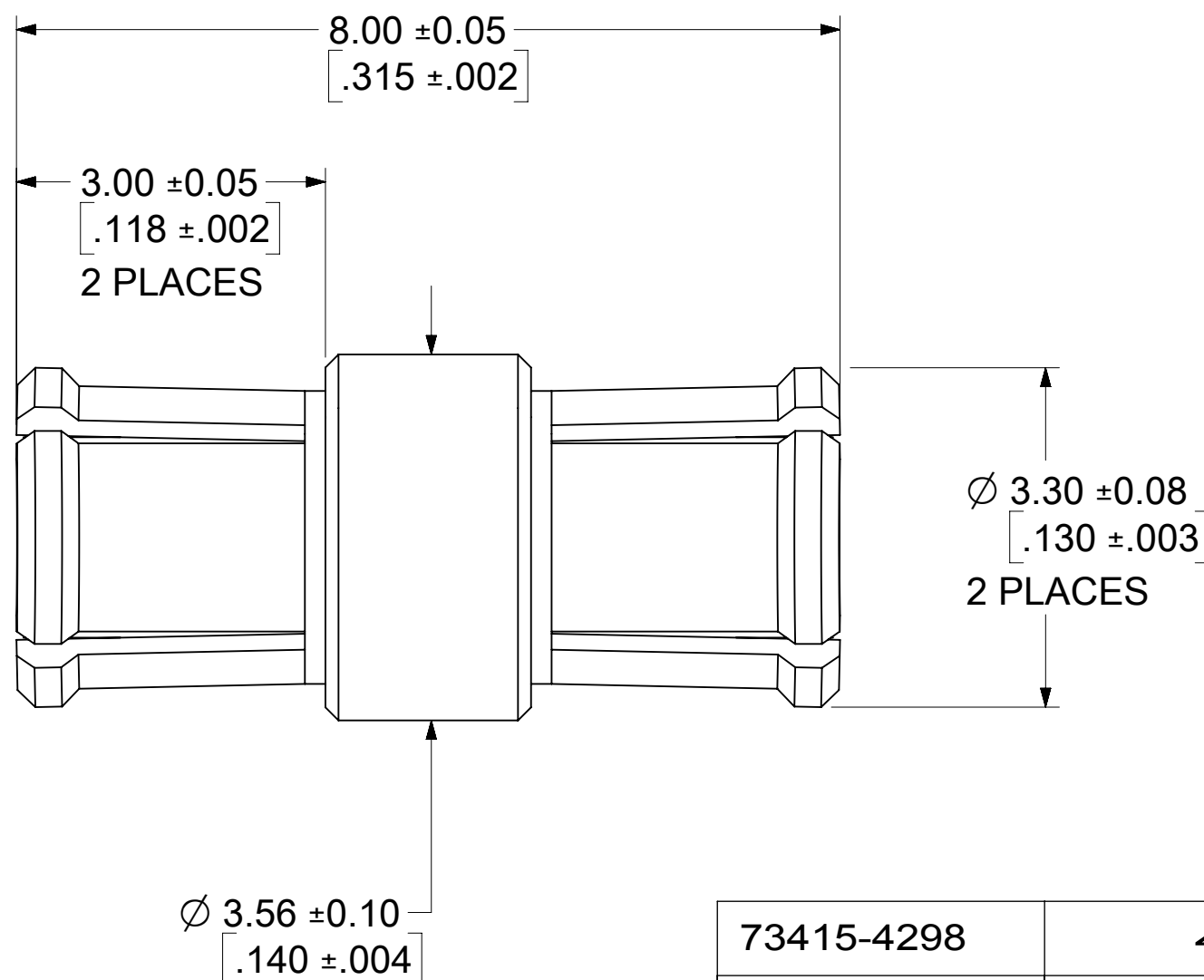
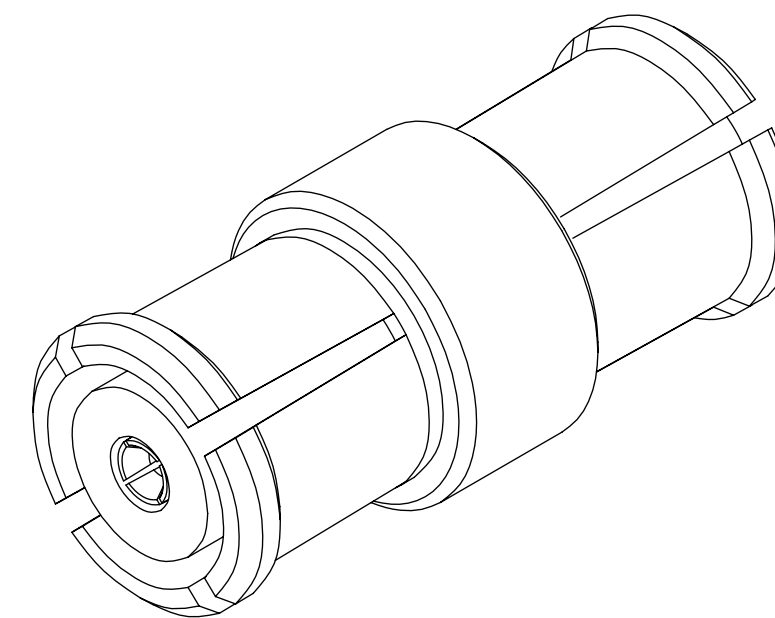


MATERIAL AND FINISHES

BODY: BERYLLIUM COPPER  
PLATED GOLD (SEE TABLE)

CONTACT: BERYLLIUM COPPER  
PLATED GOLD (SEE TABLE)

INSULATOR: TEFLON



73415-4296	30 μ INCH MIN
73415-4290	30 μ INCH MIN
PART NO.	PLATING
	THICKNESS

MIL-STD-348A, FIG. 326.1	INTERFACE
SPECIFICATION	DESCRIPTION

73415-4298	4	ONE PER BAG	895420470
73415-4297	3	ONE PER BAG	895420470
73415-4296	1	ONE PER BAG	895420470
73415-4295	4	TRAY	895420040
73415-4294	3	TRAY	895420040
73415-4293	4	TRAY	-----
73415-4292	3	TRAY	895420040
73415-4291	2	TRAY	895420040
73415-4290	1	TRAY	895420040
PART NO.	SHEET NO.	PACKAGING	PACKING SPEC

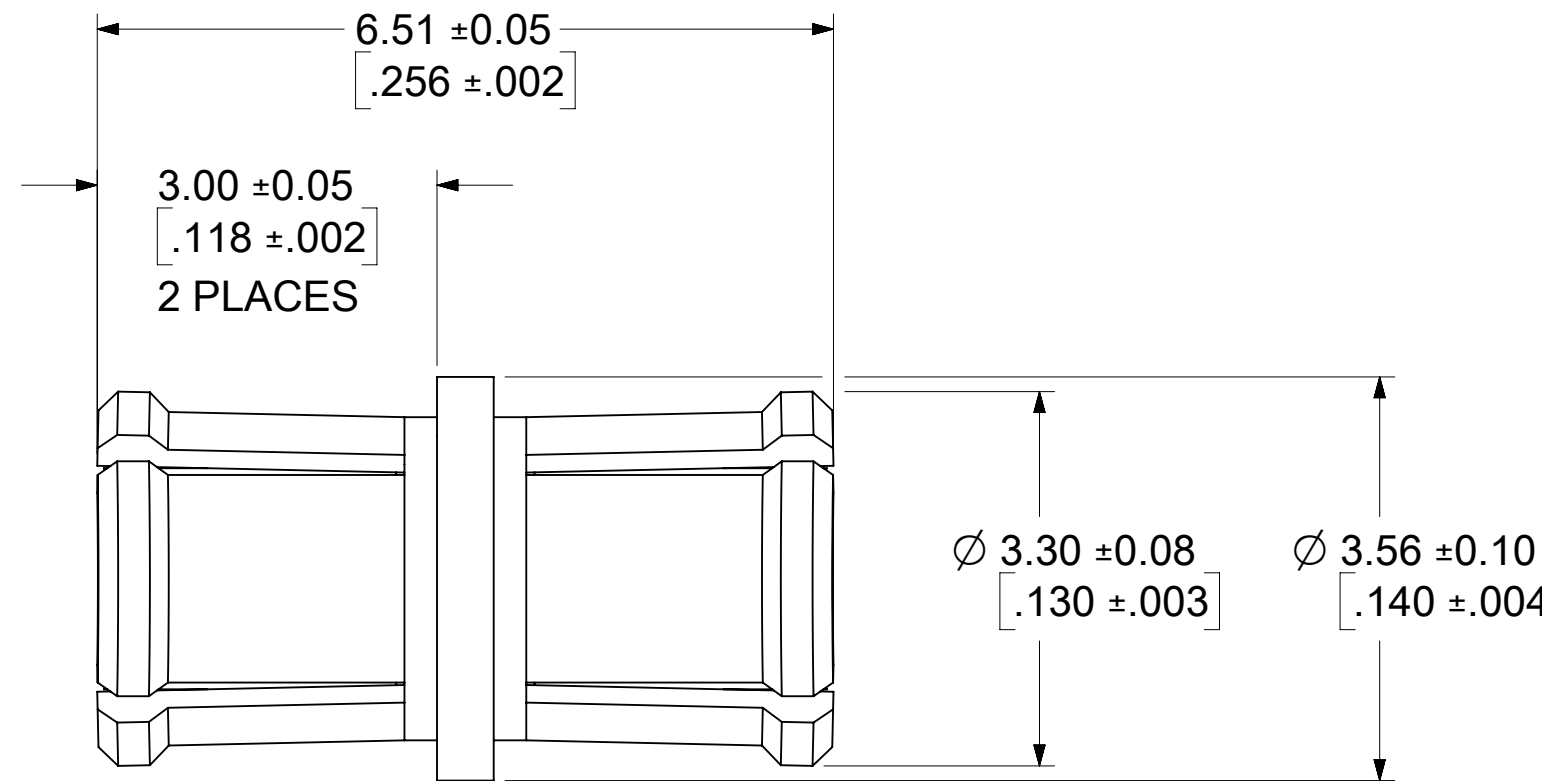
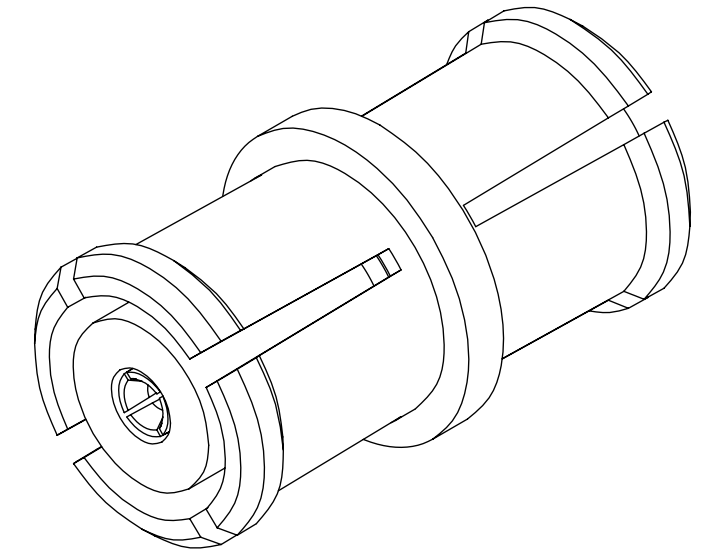
FUNCTIONAL SYMBOLS	THIS DRAWING CONTAINS INFORMATION THAT IS PROPRIETARY TO MOLEX ELECTRONIC TECHNOLOGIES, LLC AND SHOULD NOT BE USED WITHOUT WRITTEN PERMISSION		
	DIMENSION UNITS	SCALE	CURRENT REV DESC: ADD 73415-4298 PER EWR# 15321-C
$\frac{F}{A} = 0$	MM/INCH	NTS	EC NO: 719080 DRWN: ELIN 2022/08/25 CHK'D: YCHENG 2022/08/29 APPR: YCHENG 2022/08/29 INITIAL REVISION: DRWN: TFLAHERT 2004/09/08 APPR: JWIENER 2004/09/08
$\frac{F}{C} = 0$	GENERAL TOLERANCES (UNLESS SPECIFIED)		
$\frac{F}{P} = 0$	ANGULAR TOL ± 2.0°		
DIVISIONAL SYMBOLS	4 PLACES ±		PRODUCT CUSTOMER DRAWING DOCUMENT NUMBER: SD-73415-429 DOC TYPE: PSD DOC PART: 001 REVISION: C3
	3 PLACES ±		
	2 PLACES ±		
	1 PLACE ±		
	0 PLACES ±		
DRAFT WHERE APPLICABLE MUST REMAIN WITHIN DIMENSIONS		THIRD ANGLE PROJECTION	DRAWING: C-SIZE
		SERIES: 73415	MATERIAL NUMBER: SEE TABLE
			CUSTOMER: GENERAL MARKET
			SHEET NUMBER: 1 OF 4

MATERIAL AND FINISHES

BODY: BERYLLIUM COPPER  
 PLATED GOLD (30 μ INCH MINIMUM)

CONTACT: BERYLLIUM COPPER  
 PLATED GOLD (30 μ INCH MINIMUM)

INSULATOR: TEFLON



PART # 73415-4291

MIL-STD-348A, FIG. 326.1	INTERFACE
SPECIFICATION	DESCRIPTION

FUNCTIONAL SYMBOLS	THIS DRAWING CONTAINS INFORMATION THAT IS PROPRIETARY TO MOLEX ELECTRONIC TECHNOLOGIES, LLC AND SHOULD NOT BE USED WITHOUT WRITTEN PERMISSION												
	$\frac{F}{A} = 0$ $\frac{F}{C} = 0$ $\frac{F}{P} = 0$	DIMENSION UNITS <b>MM/INCH</b>	SCALE <b>NTS</b>	CURRENT REV DESC: ADD 73415-4298 PER EWR# 15321-C  EC NO: 719080 DRWN: ELIN 2022/08/25 CHK'D: YCHENG 2022/08/29 APPR: YCHENG 2022/08/29									
DIVISIONAL SYMBOLS	GENERAL TOLERANCES (UNLESS SPECIFIED) ANGULAR TOL ± 2.0°		INITIAL REVISION: DRWN: TFLAHERT 2004/09/08 APPR: JWIENER 2004/09/08							PRODUCT CUSTOMER DRAWING			
	4 PLACES ±		DOCUMENT NUMBER <b>SD-73415-429</b>							DOC TYPE	DOC PART	REVISION	
	3 PLACES ±		MATERIAL NUMBER SEE TABLE							CUSTOMER	SHEET NUMBER 2 OF 4		
	2 PLACES ±		DRAFT WHERE APPLICABLE MUST REMAIN WITHIN DIMENSIONS							THIRD ANGLE PROJECTION 	DRAWING <b>C-SIZE</b>	SERIES <b>73415</b>	GENERAL MARKET
	1 PLACE ±												
	0 PLACES ±												

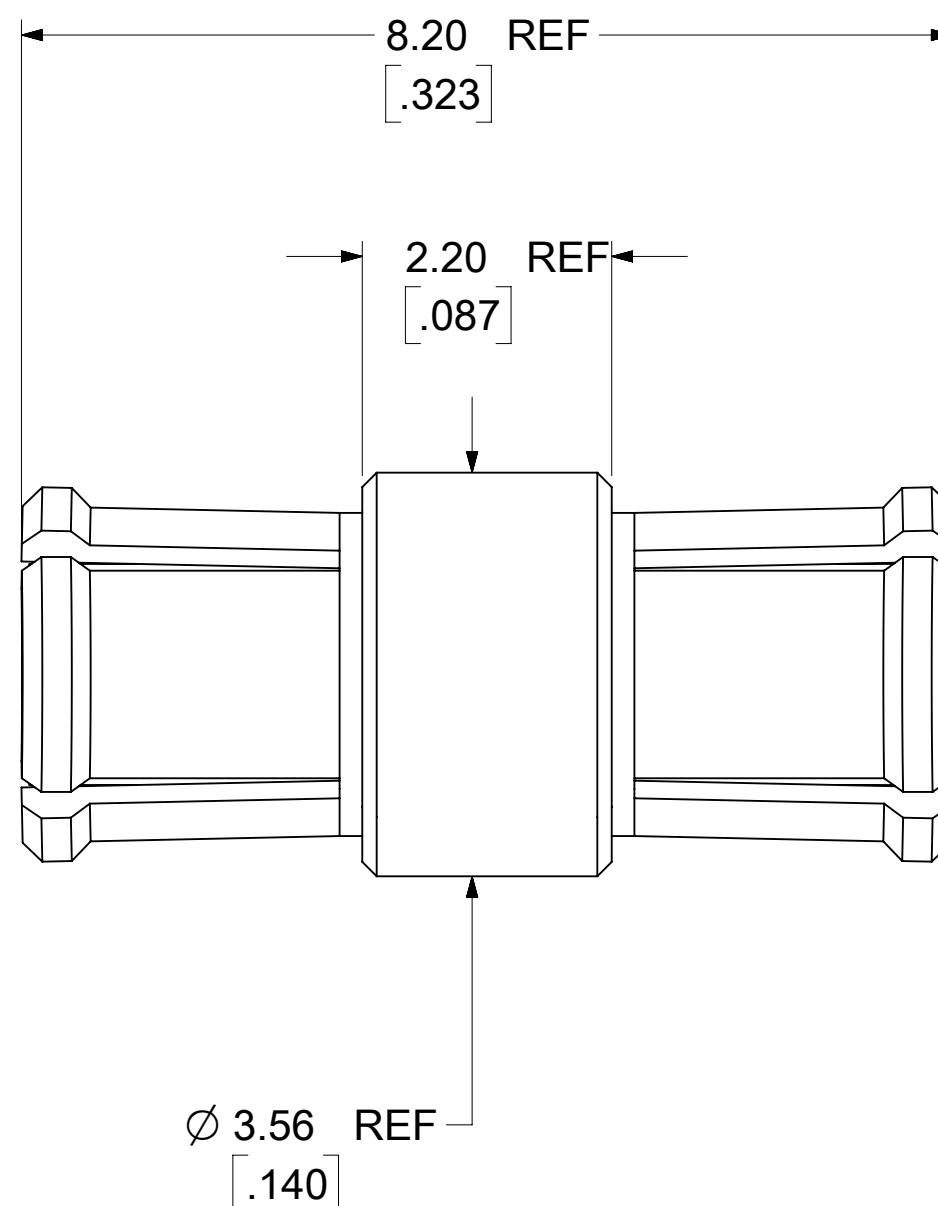
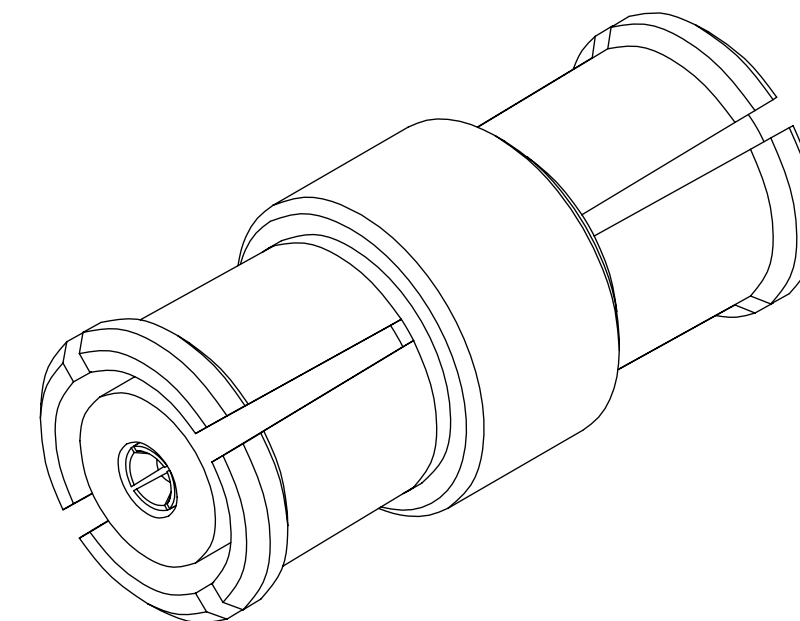
DOCUMENT STATUS	P1	RELEASE DATE	2022/08/29	03:27:20
-----------------	----	--------------	------------	----------

MATERIAL AND FINISHES:

BODY: BERYLLIUM COPPER  
PLATED GOLD (SEE TABLE)

CONTACT: BERYLLIUM COPPER  
PLATED GOLD (SEE TABLE)

INSULATOR: TEFLON



MIL-STD-348A, FIG. 326.1	INTERFACE
SPECIFICATION	DESCRIPTION

73415-4297	50 μ INCH MIN
73415-4294	30 μ INCH MIN
73415-4292	50 μ INCH MIN
PART NO.	PLATING
	THICKNESS

FUNCTIONAL SYMBOLS	THIS DRAWING CONTAINS INFORMATION THAT IS PROPRIETARY TO MOLEX ELECTRONIC TECHNOLOGIES, LLC AND SHOULD NOT BE USED WITHOUT WRITTEN PERMISSION												
MM/INCH	SCALE	CURRENT REV DESC: ADD 73415-4298 PER EWR# 15321-C											
NTS		EC NO: 719080											
GENERAL TOLERANCES (UNLESS SPECIFIED)	DRWN: ELIN 2022/08/25												
ANGULAR TOL ± 2.0°	CHK'D: YCHENG 2022/08/29												
4 PLACES ±	APPR: YCHENG 2022/08/29												
3 PLACES ±	INITIAL REVISION:												
2 PLACES ±	DRWN: TFLAHERT 2004/09/08												
1 PLACE ±	APPR: JWIENER 2004/09/08												
0 PLACES ±	DRAFT WHERE APPLICABLE MUST REMAIN WITHIN DIMENSIONS												
THIRD ANGLE PROJECTION	DRAWING	SERIES	DOCUMENT NUMBER	DOC TYPE	DOC PART	REVISION	MATERIAL NUMBER					CUSTOMER	SHEET NUMBER
	C-SIZE	73415	SD-73415-429	PSD	001	C3	SEE TABLE					GENERAL MARKET	3 OF 4

**molex**

SMP JACK, ADAPTER  
50 OHMS, EWR1994 & 2098 SMP-J/AD

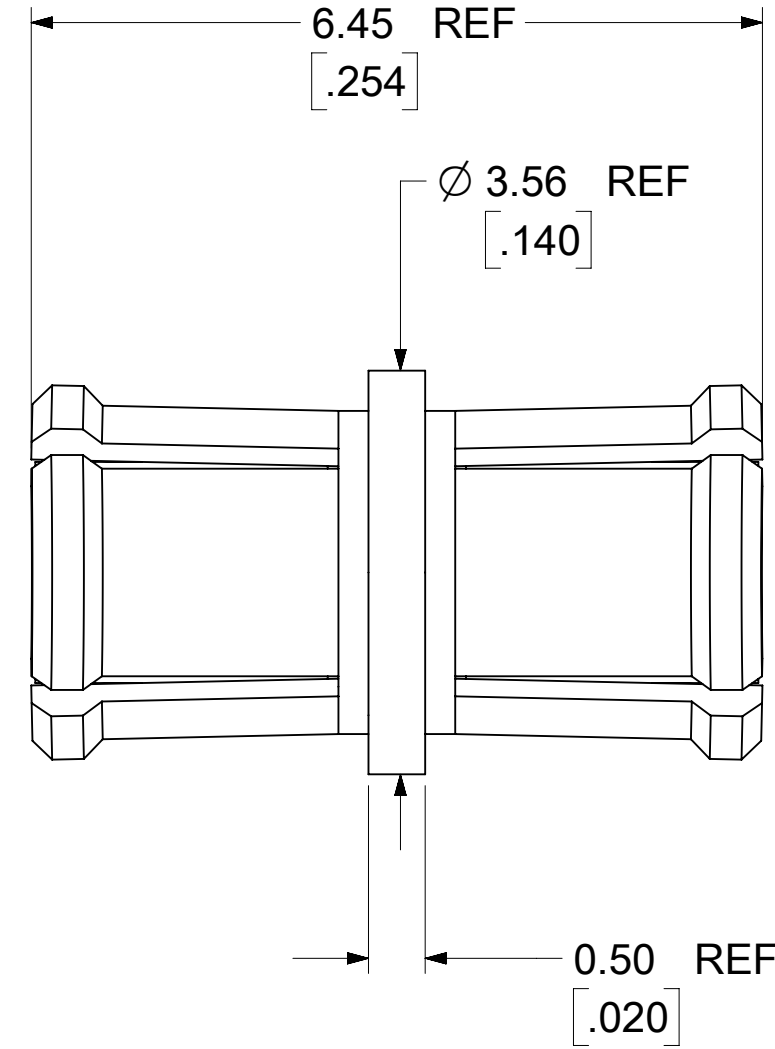
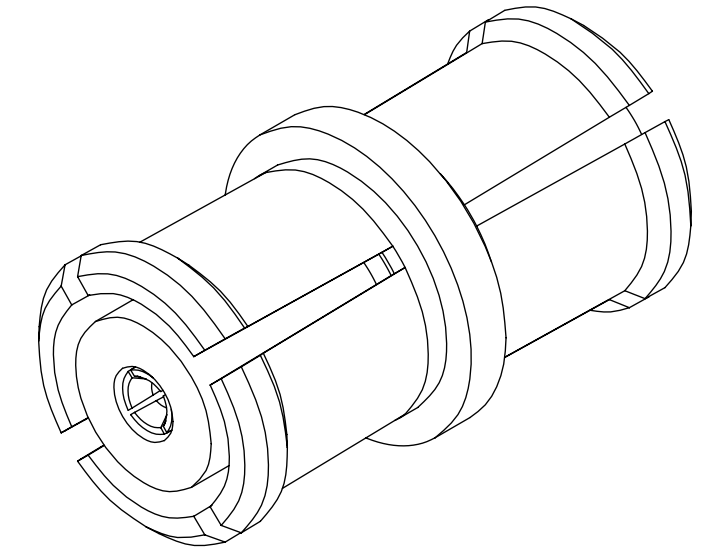
PRODUCT CUSTOMER DRAWING

MATERIAL AND FINISHES:

BODY: BERYLLIUM COPPER  
PLATED GOLD (SEE TABLE)

CONTACT: BERYLLIUM COPPER  
PLATED GOLD (SEE TABLE)

INSULATOR: TEFLON



MIL-STD-348A, FIG. 326.1	INTERFACE
SPECIFICATION	DESCRIPTION

73415-4298	30 μ INCH MIN
73415-4295	30 μ INCH MIN
73415-4293	50 μ INCH MIN
PART NO.	PLATING
	THICKNESS

FUNCTIONAL SYMBOLS	THIS DRAWING CONTAINS INFORMATION THAT IS PROPRIETARY TO MOLEX ELECTRONIC TECHNOLOGIES, LLC AND SHOULD NOT BE USED WITHOUT WRITTEN PERMISSION											
	DIMENSION UNITS	SCALE	CURRENT REV DESC: ADD 73415-4298 PER EWR# 15321-C							<b>molex</b>		
$\frac{F}{A} = 0$	MM/INCH	NTS	GENERAL TOLERANCES (UNLESS SPECIFIED)		EC NO: 719080							SMP JACK, ADAPTER 50 OHMS, EWR1994 & 2098 SMP-J/AD
$\frac{F}{C} = 0$	ANGULAR TOL ± 2.0°		4 PLACES ±		DRWN: ELIN		2022/08/25					
$\frac{F}{P} = 0$	DIVISIONAL SYMBOLS		3 PLACES ±		CHK'D: YCHENG		2022/08/29			PRODUCT CUSTOMER DRAWING		
2 PLACES ±		APPR: YCHENG		2022/08/29								
1 PLACE ±		INITIAL REVISION:		DRWN: TFLAHERT		2004/09/08		DOCUMENT NUMBER		DOC TYPE	DOC PART	REVISION
0 PLACES ±		APPR: JWIENER		2004/09/08		SD-73415-429		PSD	001	C3		
DRAFT WHERE APPLICABLE MUST REMAIN WITHIN DIMENSIONS		THIRD ANGLE PROJECTION		DRAWING		SERIES		MATERIAL NUMBER		CUSTOMER		SHEET NUMBER
				C-SIZE		73415		SEE TABLE		GENERAL MARKET		4 OF 4

DOCUMENT STATUS	P1	RELEASE DATE	2022/08/29	03:27:20
-----------------	----	--------------	------------	----------