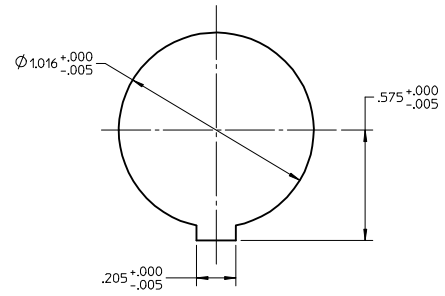
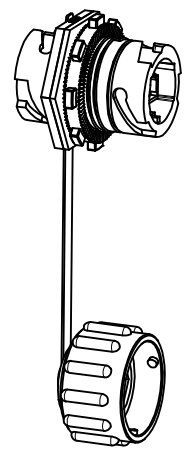


LC IN-LINE ADAPTER P/N	CONNECTOR TYPE
1060593100	SINGLE MODE
1060593110	MULTIMODE
1060593120	APC

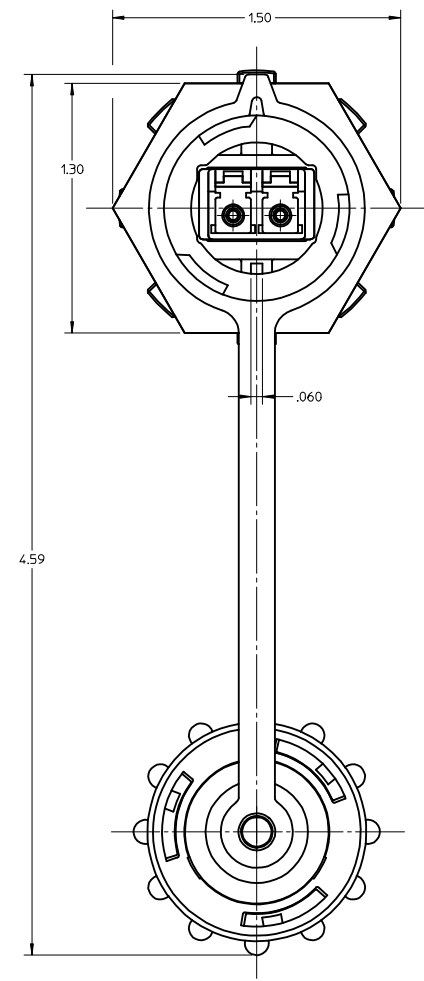
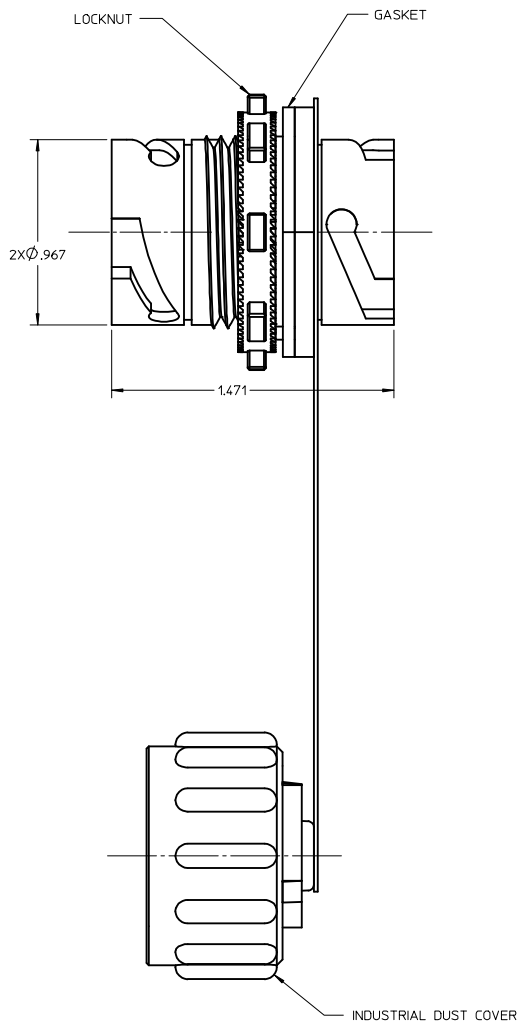


RECOMMENDED MOUNTING CUTOUT



ISOMETRIC VIEW  
SCALE: 1:1

NOTES:  
ALL DIMENSIONS ARE FOR REFERENCE ONLY.



<b>ENTER DESCRIPTION</b> EC NO: MF2007-0511 DRW: DBAL TRUKONIS CHKD: IGJMIN APPR: IGJMIN 2007/02/12 2007/02/12	QUALITY SYMBOLS	GENERAL TOLERANCES (UNLESS SPECIFIED)	DIMENSION STYLE	SCALE	DESIGN UNITS	THIRD ANGLE PROJECTION															
	$\nabla=0$ $\nabla=0$	<table border="1"> <tr> <th></th> <th>mm</th> <th>INCH</th> </tr> <tr> <td>4 PLACES</td> <td>± .005</td> <td>± .0005</td> </tr> <tr> <td>3 PLACES</td> <td>± .005</td> <td>± .0005</td> </tr> <tr> <td>2 PLACES</td> <td>± .005</td> <td>± .0005</td> </tr> <tr> <td>1 PLACE</td> <td>± .005</td> <td>± .0005</td> </tr> </table>		mm	INCH	4 PLACES	± .005	± .0005	3 PLACES	± .005	± .0005	2 PLACES	± .005	± .0005	1 PLACE	± .005	± .0005	INCH ONLY	2:1	INCH	
		mm	INCH																		
	4 PLACES	± .005	± .0005																		
3 PLACES	± .005	± .0005																			
2 PLACES	± .005	± .0005																			
1 PLACE	± .005	± .0005																			
	ANGULAR ±1/2°																				
		DRAFT WHERE APPLICABLE MUST REMAIN WITHIN DIMENSIONS	DRAWN BY: D.B. DATE: 2006/6/30 CHECKED BY: DATE:	TITLE: LC IN-LINE INDUSTRIAL ADAPTER																	
			APPROVED BY: I.G. DATE: 2006/6/30	MOLEX INCORPORATED																	
			MATERIAL NO. 10605931X0 SIZE: C	DOCUMENT NO. SD-106059-31X0	SHEET NO. 1 OF 1																
			THIS DRAWING CONTAINS INFORMATION THAT IS PROPRIETARY TO MOLEX INCORPORATED AND SHOULD NOT BE USED WITHOUT WRITTEN PERMISSION																		