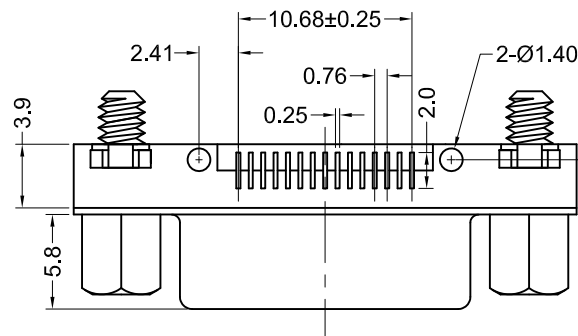
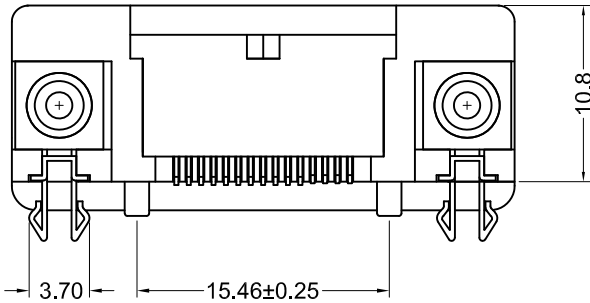
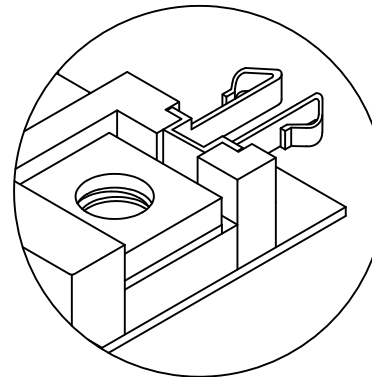


Recommended PCB Layout
(Component Side)



Pin Numbering

6	11	1	7	12	2	8	13	3	9	14	4	10	15	5
---	----	---	---	----	---	---	----	---	---	----	---	----	----	---



Fork Board Lock Type

Part Number	Contact Area Plating Finish
K202XHT-E15S-NJ	Gold Flash (standard)
K202XHT-E15S-NJ15	15u" Gold (15 option)
K202XHT-E15S-NJ30	30u" Gold (30 option)

Material and Finish

Insulator: High Temperature Thermoplastic with Glass-fiber Reinforcement, UL 94V-0 Rated, Color: Black

Shell: Steel, Nickel Plated

Contact Material:
Socket - Phosphor Bronze

Contact Plating Options:
Standard: Gold Flash on Mating End, Tin on Termination End, Nickel Underplate on Entire Contact
15 Option: 15u" Gold on Mating End, Tin on Termination End, Nickel Underplate on Entire Contact

30 Option: 30u" Gold on Mating End, Tin on Termination End, Nickel Underplate on Entire Contact

Electrical Specifications

Rated Current: 2A
Rated Voltage: 30V RMS
Insulation Resistance: 1000 Megohms Min. at 500V DC
Contact Resistance: 13 milliohms Max.
Dielectric Withstanding Voltage: 1000V for 1 Minute

Mechanical Specifications

Operating Temperature: -55°C to +105°C

Installed Hardware

Jackscrew: JSX-1055



Tolerances
X.X ± 0.25
X.XX ± 0.15
Unless Stated Otherwise

REV.	DATE	DESCRIPTION	REV. BY	CHK. BY	DRAWN BY	DATE
A1	06/19/06	New Drawing	R. Aguirre	H. MA	R. Aguirre	06/19/06
B1	11/29/07	ECO #07-044	WILL. H	H. MA		
B2	05/22/08	ECO #08-042	S. Vien	H. MA	UNITS	mm
B3	10/14/10	ECO #10-074	S. Vien	H. MA		
B4	06/06/13	ECO #13-033	D. Gih	P. DalCanto		
B5	08/10/18	Address Update	G. Serrato	D. Shehan		

K202XHT-E15S-NJ

D-Sub, Right Angle, SMT, RoHS Compliant
Low Profile, 15 Pin High Density, Female w/ Jackscrews

