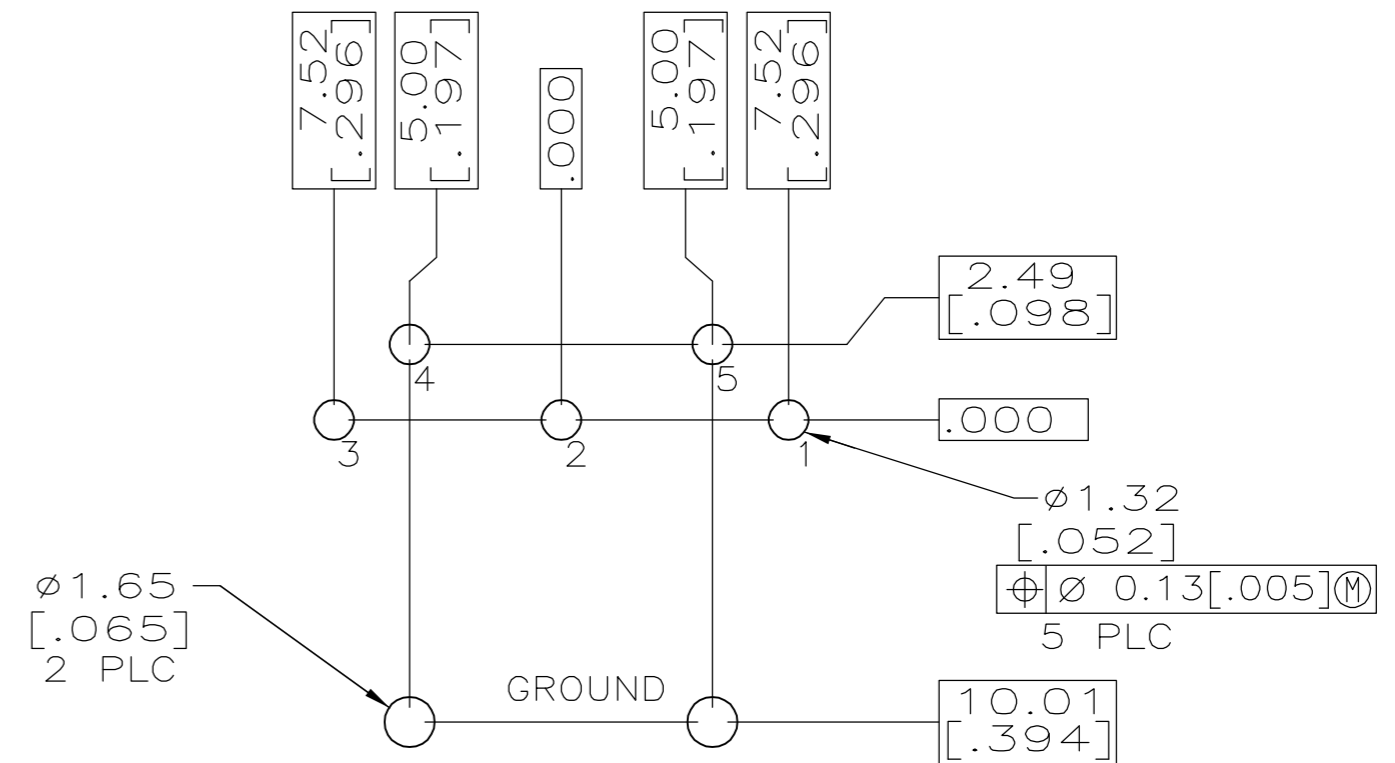
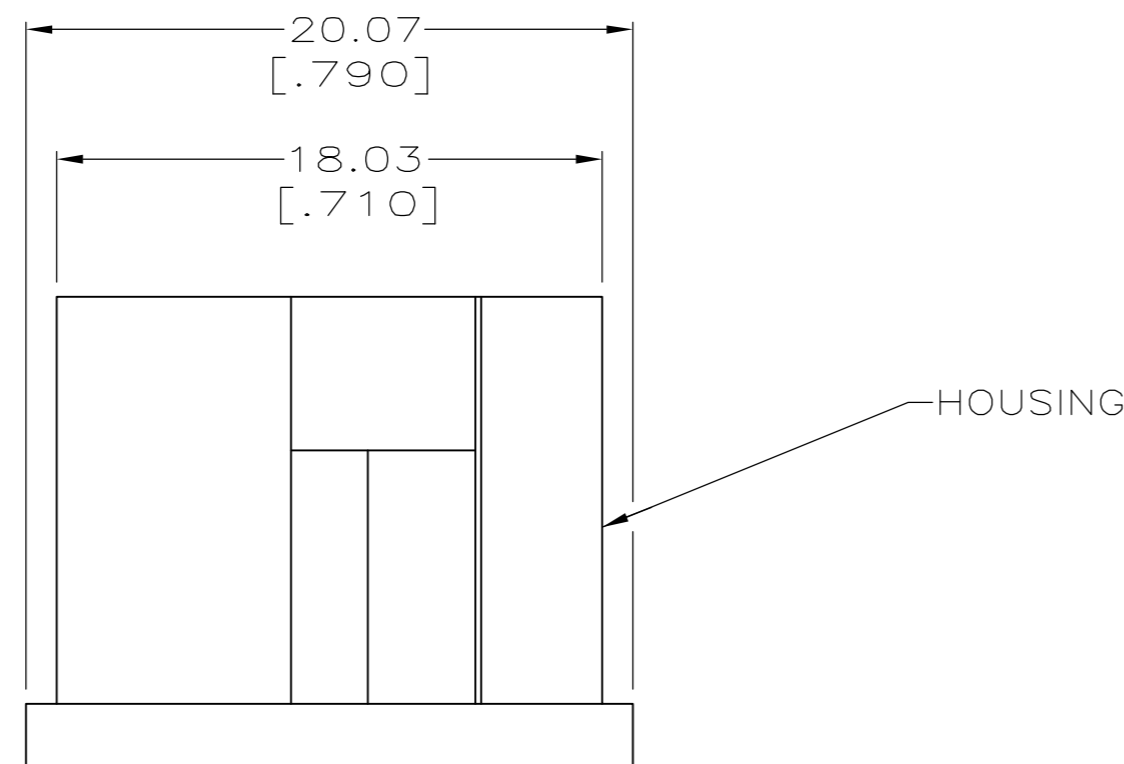
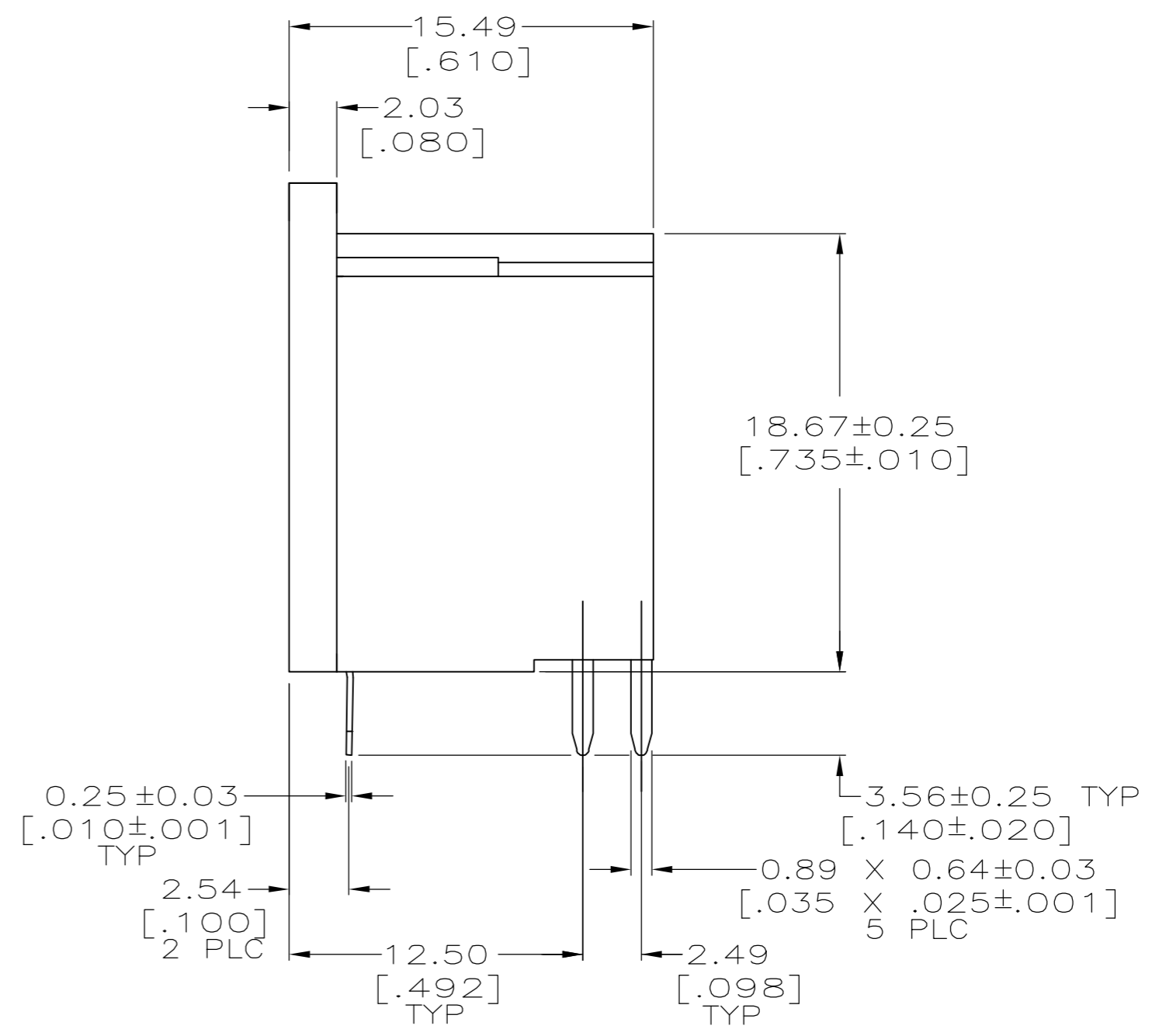
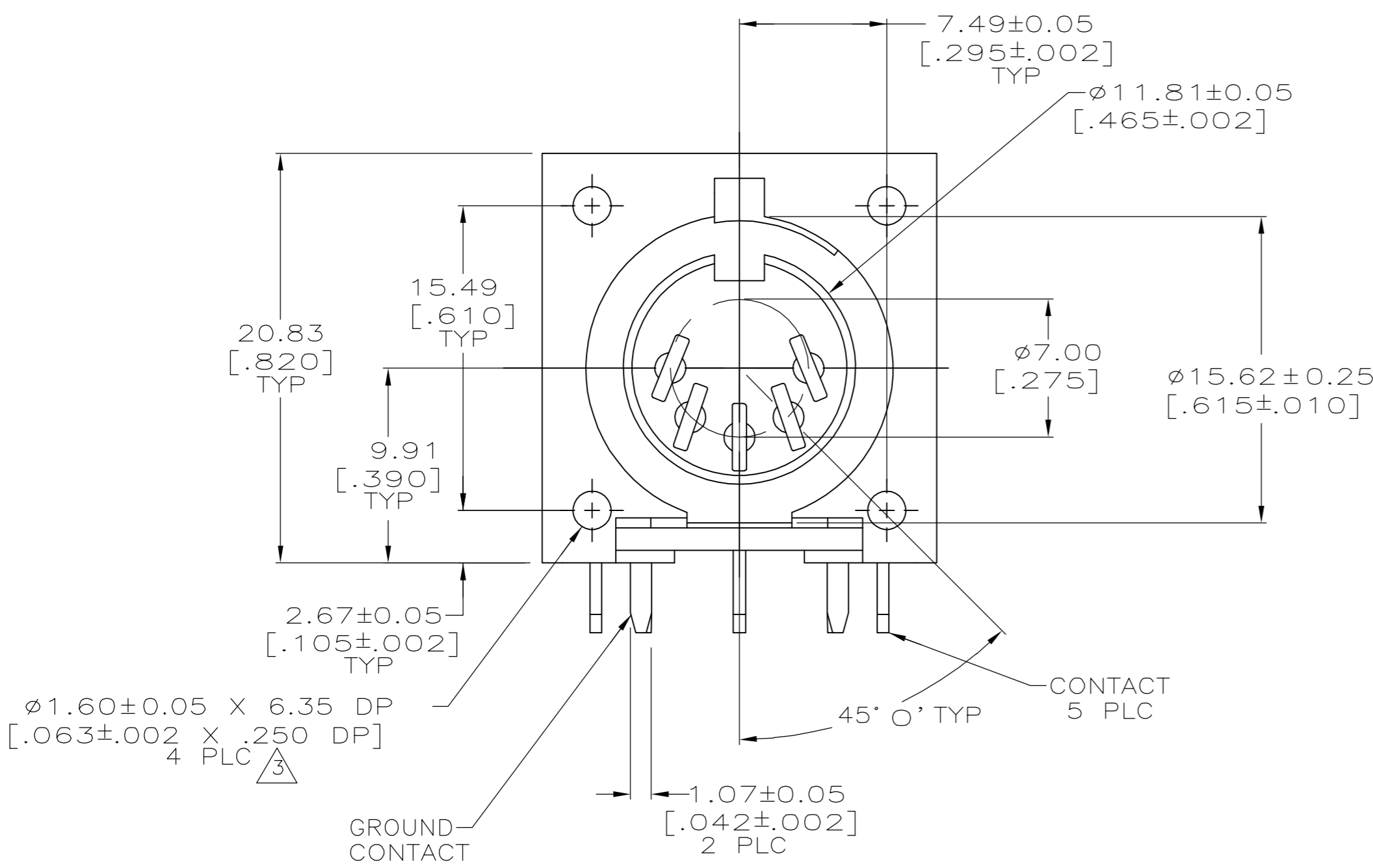


THIS DRAWING IS UNPUBLISHED. RELEASED FOR PUBLICATION  
 © COPYRIGHT BY TYCO ELECTRONICS CORPORATION. ALL RIGHTS RESERVED.

LOC		DIST		REVISIONS			
P	LTR	DESCRIPTION		DATE	DWN	APVD	
GP	00	01		REVISED PER ECO-07-008008	10APR07	JDP/CWR	



SUGGESTED PC BOARD LAYOUT & CIRCUIT IDENTIFICATION  $\Delta$ 4



- $\Delta$ 1 HOUSING: NYLON, UL 94V-0 RATED, BLACK.
- $\Delta$ 2 CONTACTS & GROUND CONTACT: 2.54 $\mu$ m [.000100] MIN TIN OVER 1.27 $\mu$ m [.000050] MIN NICKEL.
- $\Delta$ 3 ACCEPTS #2 SELF-TAPPING SCREW, .250 LONG REF.
- $\Delta$ 4 CIRCUIT IDENTIFICATION IS BASED ON THE INDUSTRY STANDARD. THE VIEW OF THE COMPONENT SIDE OF THE PANEL.
- $\Delta$ 5 CONTACTS & GROUND CONTACT: BRASS PER ASTM B36.

5212476-1  
 PART NUMBER

THIS DRAWING IS A CONTROLLED DOCUMENT.		DWN L. VARELA - DOCK5 11-12-04	 Tyco Electronics Corporation Harrisburg, PA 17105-3608
DIMENSIONS: mm [INCHES]		CHK C. ROHDE 11-12-04	
TOLERANCES UNLESS OTHERWISE SPECIFIED:		APVD M. WALMSLEY 11-12-04	NAME RECEPTACLE ASSY, 5 POSITION, CIRCULAR DIN
0 PLC ± -		PRODUCT SPEC 108-10047	
1 PLC ± -		APPLICATION SPEC 114-40025	SIZE A2
2 PLC ± 0.13[.005]		WEIGHT -	CAGE CODE 00779
3 PLC ± -		FINISH $\Delta$ 2	DRAWING NO C=5212476
4 PLC ± -			RESTRICTED TO -
5 PLC ± -		MATERIAL $\Delta$ 1 $\Delta$ 5	SCALE 4:1
ANGLES ± 0° 30'		CUSTOMER DRAWING	SHEET 1 of 1
REV 01			