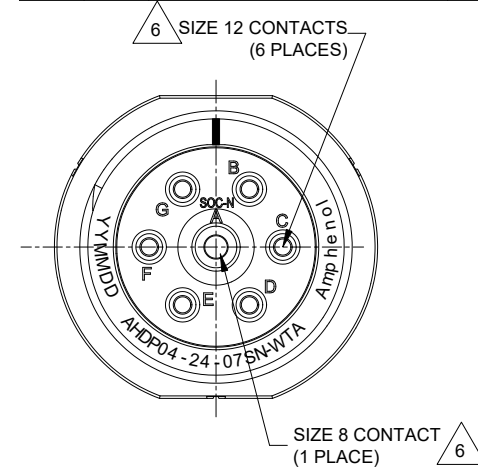


| REVISIONS |        |   |         |        |       |
|-----------|--------|---|---------|--------|-------|
| REV       | ECO    | DESCRIPTION                                 | DATE    | BY     | APPR  |
| A1        |        | RELEASE NEW DRAWING                         | 13NOV15 | SULLEN | TOMMY |
| A2        | C0765S | UPDATE SPECIFICATIONS                       | 23NOV17 | ROOKIE | TOMMY |
| A3        | C0870S | Change the appearance of the retaining ring | 26JUN18 | KASOON | TOMMY |
| A4        | --     | UPDATE DIMENSION                            | 03NOV21 | LYNCH  | TOMMY |



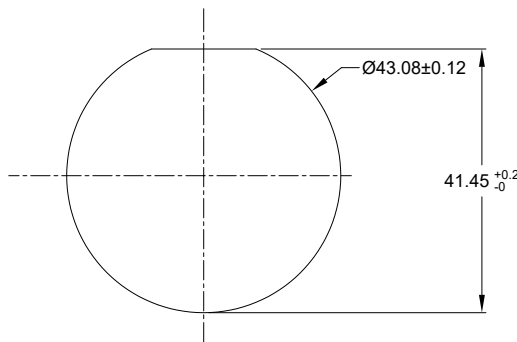
NOTES: UNLESS OTHERWISE SPECIFIED

- MATERIAL:  
HOUSING: THERMOPLASTIC; BLACK  
SEAL: SILICONE RUBBER
- MODIFICATIONS: THREADED ADAPTER
- SPECIFICATIONS:
  - OPERATING TEMPERATURE: -55°C TO +125°C.
  - DIELECTRIC WITHSTANDING VOLTAGE: LESS THAN 2 MILLIAMPS CURRENT LEAKAGE @ 5000 VOLTS AC.
  - INSULATION RESISTANCE: 1000 MEGOHM MIN @ 25°C.
  - MOISTURE RESISTANCE:  
IP68(IM OF WATER FOR A PERIOD OF 24 HOURS, MATED CONDITION);  
IP69K(MATED CONDITION)
  - MATING CYCLE DURABILITY: 100 CYCLES
  - ROHS COMPLIANT
- MATING PART: AHDP06-24-07P\* (\* = SEAL TYPE)
- ALL DIMENSIONS ARE FOR REFERENCE USE ONLY.

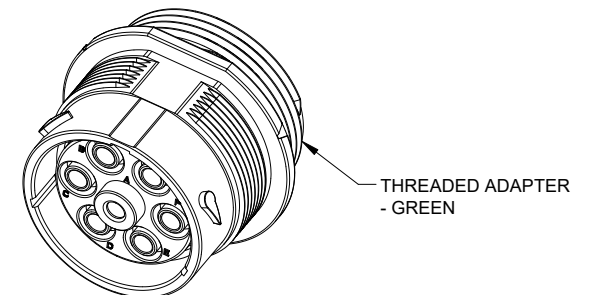
6 CONTACT SIZE AND WIRE RANGE:

| CONTACT SIZE | MIN. INSUL O.D.   | MAX. INSUL O.D.   | TYPICAL WIRE RANGE                  | CURRENT RATING |
|--------------|-------------------|-------------------|-------------------------------------|----------------|
| 12           | 3.43 mm (.135 in) | 4.32 mm (.170 in) | 10-14 AWG (6.0-2.0mm <sup>2</sup> ) | 25 AMPS        |
| 8            | 4.83 mm (.190 in) | 6.10 mm (.240 in) | 7-10 AWG (10.0-5.0mm <sup>2</sup> ) | 80 AMPS        |

7. RECEPTACLE IS SUPPLIED WITH DUST CAP.



RECOMMENDED PANEL MOUNTING HOLE  
RECOMMENDED PANEL THICKNESS: 1.6 TO 4.7MM





| QUANTITY   | AHDP04-24-07SN-WTA | DESCRIPTION  | ITEM   |
|--|--------------------|--|--|
|  |                    |  |  |
| <b>MATERIALS LIST</b>  |                    |  |  |
| <b>UNLESS OTHERWISE SPECIFIED</b><br>1) All dimensions are in metric (mm).<br>2) Tolerances are as follows:<br>1 PL DEC ±0.30<br>2 PL DEC ±0.15<br>3 PL DEC ±0.08<br>3) Note reference =   |                    | <b>SIGNATURES</b><br>DRAWN: LYNCH<br>CHECKED: SULLEN<br>ENGINEER:<br>APPROVAL: TOMMY<br>CUSTOMER:<br><b>WEIGHT: 49.496G</b>  | <b>DATE</b><br>03NOV21<br>03NOV21<br>05NOV21 |
| PROCESS SPECIFICATIONS:<br>NEXT ASSY:  |                    | <b>Amphenol</b><br>Sine Systems - www.amphenol-sine.com<br>44724 Morley Drive<br>Clinton Township, MI 48036<br>RECEPTACLE, 24-07 POS. SOCKET CONTACT STANDARD DIA. SEAL, AHDP SERIES |  |
| THIS DRAWING IS SUPPLIED FOR INFORMATION ONLY. DESIGN FEATURES, SPECIFICATIONS AND PERFORMANCE DATA SHOWN HEREON ARE THE PROPERTY OF THE AMPHENOL CORPORATION. NO RIGHTS OF REPRODUCTION ARE IMPLIED. ALL DIMENSIONS ARE SUBJECT TO NORMAL MANUFACTURING VARIATIONS. |                    | <b>SIZE</b><br><b>B C-</b>   | <b>REVISION</b><br><b>A4</b>                 |
| SCALE: NONE  |                    | DWG NO: AHDP04-24-07SN-WTA<br>SHEET 1 OF 1   |  |

TITLE: PLUG/24 POS. PIN CONN. STANDARD DIA. SEAL, AHDP  
DWG NO: AHDP04-24-07SN-WTA  
REV: A4  
SH: 1  
OF: 1

# DuraMate™ AHDP - Contact Size 12 Options



| Machined Contacts, Sockets & Pins |  |      |       |          |
|-----------------------------------|--|------|-------|----------|
| Part Number                       | Description                            | Size | AWG   | Type     |
| AT60-204-12141-10                 | Male Contact - Pin, Nickel-plated      | 12   | 10-12 | Machined |
| AT62-203-12141-10                 | Female Contact - Socket, Nickel-plated | 12   | 10-12 | Machined |
| AT60-220-1231                     | Male Contact - Pin, Gold-plated        | 12   | 12-14 | Machined |
| AT62-210-1231                     | Female Contact - Socket, Gold-plated   | 12   | 12-14 | Machined |
| AT60-204-12141                    | Male Contact - Pin, Nickel-plated      | 12   | 12-14 | Machined |
| AT62-203-12141                    | Female Contact - Socket, Nickel-plated | 12   | 12-14 | Machined |

| DiagnosticGrade™ Machined Contacts, Sockets & Pins   |  |      |     |          |
|--|--|------|-----|----------|
| • Smaller AWG for Diagnostic Applications • Gold-plated • Increased Mating Cycles • Cost-effective |  |      |     |          |
| Part Number  | Description  | Size | AWG | Type     |
| 65-54749   | Male Contact - DiagnosticGrade™, Pin, Gold-plated      | 12   | 20  | Machined |
| AT62-210-1231-1820   | Female Contact - DiagnosticGrade™, Socket, Gold-plated | 12   | 20  | Machined |

| Tooling - Machined Contacts   |             |   |
|---|-------------|---|
| Part  | Part Number | Description   |
|  | CA-5D12     | Universal Hand Crimp Tool, Size 12/16/20 (Machined contacts only) |
|  | CA-5E12     | Pneumatic Crimp Tool, Size 12/16/20 (Machined contacts only)      |





| Contact Removal Tools   |               |  |
|---|---------------|--|
| Part  | Part Number   | Description                            |
|   | AT11-337-1205 | Contact Removal Tool, Plastic, Size 12 |
|  | A114017       | Sealing Plug, Size 12, White           |

| Stamped & Formed Contacts, Sockets & Pins |  |      |       |                  |
|---|--|------|-------|------------------|
| Part Number                               | Description                            | Size | AWG   | Type             |
| AT60-12-0244                              | Male Contact - Pin, Gold-plated        | 12   | 10-12 | Stamped & Formed |
| AT62-12-0244                              | Female Contact - Socket, Gold-plated   | 12   | 10-12 | Stamped & Formed |
| AT60-12-0222                              | Male Contact - Pin, Nickel-plated      | 12   | 10-12 | Stamped & Formed |
| AT62-12-0222                              | Female Contact - Socket, Nickel-plated | 12   | 10-12 | Stamped & Formed |
| AT60-12-0144                              | Male Contact - Pin, Gold-plated        | 12   | 12-14 | Stamped & Formed |
| AT62-12-0144                              | Female Contact - Socket, Gold-plated   | 12   | 12-14 | Stamped & Formed |
| AT60-12-0166                              | Male Contact - Pin, Nickel-plated      | 12   | 12-14 | Stamped & Formed |
| AT62-12-0166                              | Female Contact - Socket, Nickel-plated | 12   | 12-14 | Stamped & Formed |

| Tooling - Stamped & Formed Contacts   |             |   |
|---|-------------|---|
| Part  | Part Number | Description   |
|  | MFX-3973    | Crimp Die - Size 12 (S&F contacts only)                       |
|   | MFX-3985    | Crimp Die - Size 12 (S&F contacts only) 10-12AWG -02XX Series |
|  | ATT-12-00   | Hand Crimp Tool - Size 12, 12AWG (S&F contacts only)          |
|   | ATT-12-01   | Hand Crimp Tool - Size 12, 10AWG (S&F contacts only)          |

# ATHD Series™ - Contact Size 8 Options

| Machined Contacts, Pins and Sockets |  |      |      |          |      |
|-------------------------------------|--|------|------|----------|------|
| Part Number                         | Description  | Size | AWG  | Type     | Amps |
| AT60-204-08141                      | Male Contact - Pin, Copper Alloy, Nickel-Plated      | 8    | 8-10 | Machined | 60A  |
| AT62-203-08141                      | Female Contact - Socket, Copper Alloy, Nickel-Plated | 8    | 8-10 | Machined | 60A  |
| AT60-204-08141-16                   | Male Contact - Pin, Copper Alloy, Nickel-Plated      | 8    | 6    | Machined | 60A  |
| AT62-203-08141-16                   | Female Contact - Socket, Copper Alloy, Nickel-Plated | 8    | 6    | Machined | 60A  |

| Tooling - Machined Contacts   |             |  |
|---|-------------|--|
| Part  | Part Number | Description  |
|    | WA23        | Heavy Duty Pneumatic Crimp Tool<br>-Uses Universal Positioner Part No. WA23-101DA and Crimp Locator MFX-3961 |
|    | WA23-2      | Die Assembly<br>-for CA-5E12 Heavy Duty Pneumatic Crimp Tool, Size 8   |
|    | WA23-3      | Die Assembly<br>-for CA-5E12 Heavy Duty Pneumatic Crimp Tool, Size 6   |
|    | WA23-10     | Contact Locator, Size 6 and Size 8   |
|   | 96-978-22   | Crimper and Dies<br>-for Size 10mm <sup>2</sup> -185mm <sup>2</sup> Wires                                    |
|  | AT114008    | Contact Removal Tool, Plastic, Size 8, 8-10AWG   |