

Style

M12 Socket, shielded
5 pin
A-coding

Ratings

Voltage: 60 V
Current: 4 A

Operating Temperature Range

-40 ~ 105 °C

Materials

- ① Insulator: Polyamide 66 (PA66), UL94 HB, black
- ② Socket: C5191 Phosphor bronze, gold plated
- ③ Shell: C3604 brass, nickel plated
- ④ O-ring: Nitrile rubber, green

Electrical Requirements

Dielectric strength: 1 min @ 500 Vac
Insulation resistance: 100 MΩ @ 500 Vdc
Contact resistance: 10 mΩ or less

Mechanical Requirements

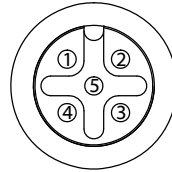
Life cycle: 500 mating cycles minimum

Environmental Requirements

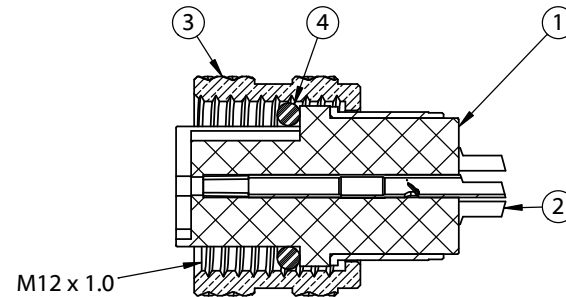
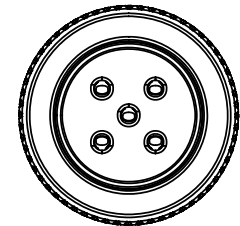
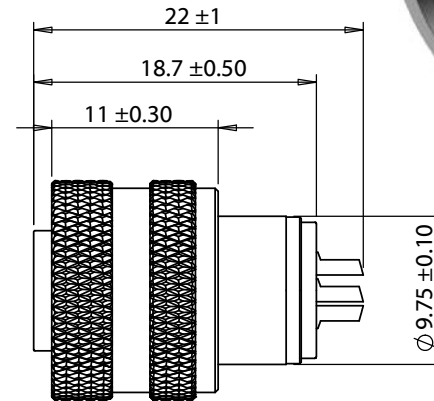
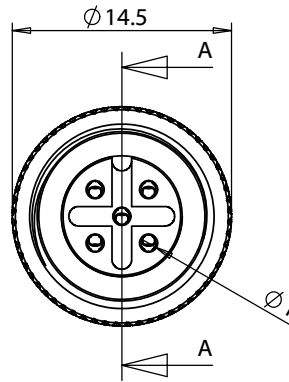
Salt spray test: 35 °C, relative humidity 90-95%, 5% NaCl mist for 48 hrs. Wash parts after test. Maintain mechanical requirements and a contact resistance of less than 10 mΩ.
Waterproof: IP67

Assembly Info

Wire gauge: 22 AWG max



Front View
Not to Scale



SECTION A-A

Revision:	Date:	Description:	Prepared:	Notes:	<h1>TENSILITY</h1> tel 1.541.323.3228 800 877.670.7118 fax 1.541.323.4202 web tensility.com
A	7/22/2020	Initial release	JC <small>Digitally signed by JC Date: 2020.10.23 12:33:12 -07'00'</small>	RoHS compliant	
			Verified: AG <small>Digitally signed by AG Date: 2020.10.23 12:59:36 -07'00'</small>	Function test: no open, no short circuit, no intermittent	Size: Part number: A 50-00981
			Dimensions are in millimeters. Tolerances: X: ± 0.3 mm X.X: ± 0.1 mm X.XX: ± 0.05 mm	Description: Connector, 5 pin M12 A-code socket, 12xL22mm, gold plated, molding style, solder cup, IP67, shielded	Scale: 2:1 Sheet 1 of 1