

NOTES:

1. MATERIALS AND FINISHES:

- SPANNER NUT - BRASS, NICKEL PLATING
- BODY - BRASS, GOLD PLATING
- HOUSING - BRASS, BRIGHT TIN PLATING
- CONTACT - PHOSPHOR BRONZE, GOLD PLATING
- INSULATOR - PTFE, NATURAL

2. ELECTRICAL:

- A. IMPEDANCE: 75 OHM
- B. FREQUENCY RANGE: 0-3 GHz
- C. VSWR: 1.15, MAX.
- D. D.W.V: 750 VRMS, MIN.

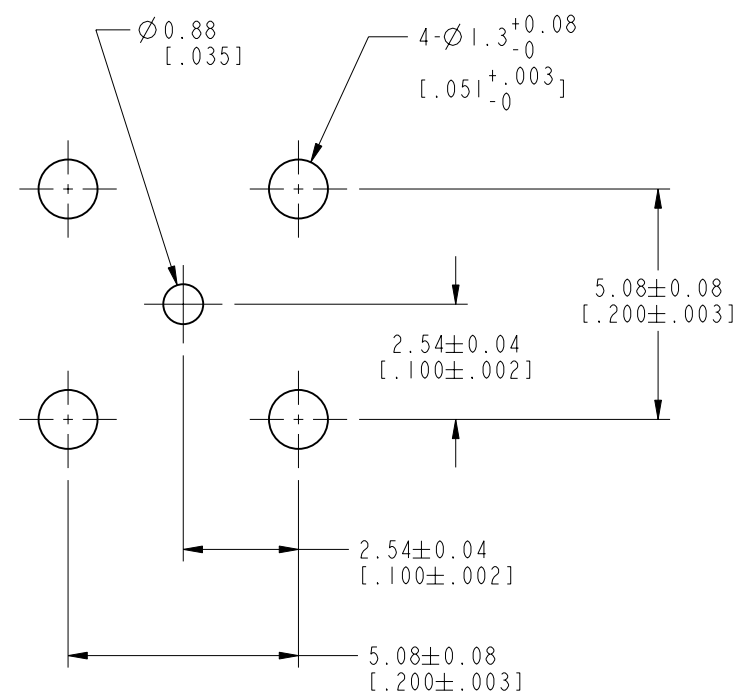
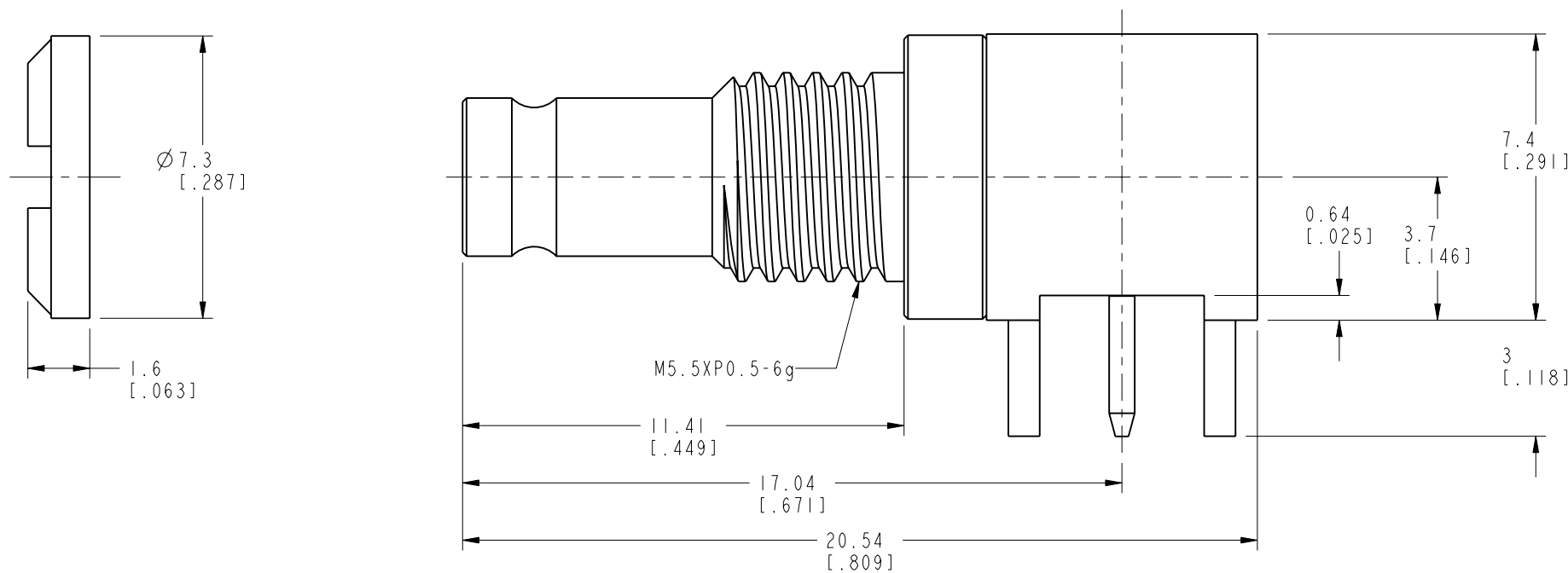
3. MECHANICAL:

- A. DURABILITY: 500 CYCLES MIN.
- B. TEMPERATURE RANGE: -40°C TO +155°C

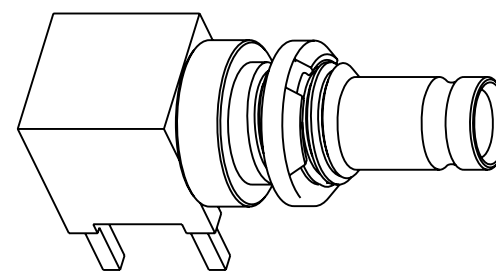
THIRD ANGLE PROJ.

REVISIONS

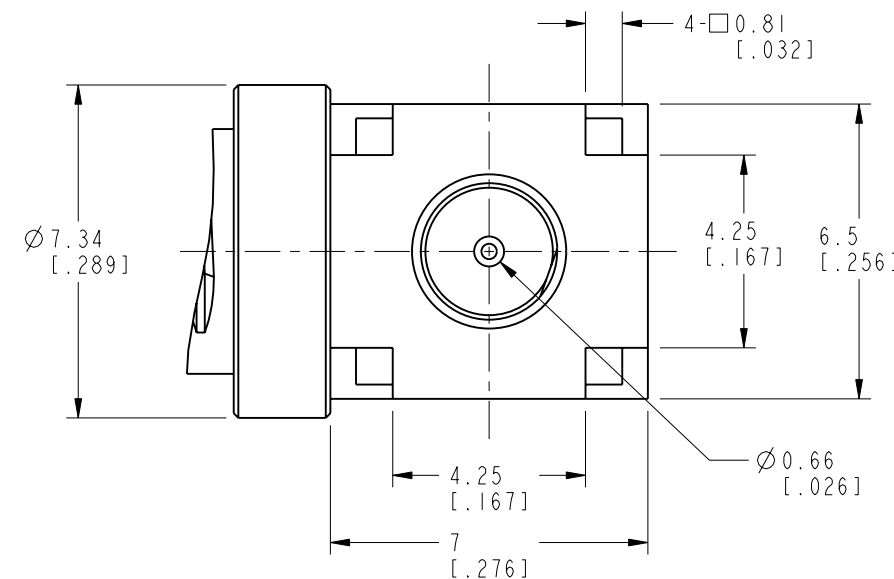
REV	DESCRIPTION	DATE	ECO	APPR
NC	INITIAL RELEASE	04-Aug-10	----	GRS
A	UPDATED TOLERANCES, UPDATE DRAWING FORMAT	28-Jan-13	2431	SL
B	SYNC, UPDATED INNER STRUCTURE\RD-DMIT010401M	12-Jan-17	02821	SH



RECOMMENDED PCB MOUNTING HOLE



SCALE 3.000



CUSTOMER OUTLINE DRAWING
ALL OTHER SHEETS ARE FOR INTERNAL USE ONLY

<p>UNLESS OTHERWISE SPECIFIED, DIMENSIONS ARE IN METRIC AND TOLERANCES ARE: <0.5mm ±0.05mm 0.5 - 6mm ±0.1mm 6 - 30mm ±0.2mm 30 - 120mm ±0.3mm ANGLES ±1°</p> <p>NOTICE - These drawings, specifications, or other data (1) are, and remain the property of Amphenol corp. (2) must be returned upon request; and (3) are confidential and not to be disclosed to any person other than those to whom they are given by Amphenol Corp. the furnishing of these drawings, specifications, or other data by Amphenol Corp., or to any other person for any purpose is not to be regarded by implication or otherwise in any manner licensing, granting rights to permitting such holder or any other person to manufacture, use or sell any product, process or design, patented or otherwise, that may in any way be related to or disclosed by said drawings, specifications, or other data.</p>	MATERIAL	DRAWN M. ZHANG	DATE 11-Jan-17	<p>TITLE 1.0/2.3 R/A BULKHEAD PCB RECEPT. JACK - 75 OHM</p>	<p>Amphenol RF www.amphenolrf.com</p>
		ENGINEER S. LI	DATE 15-Nov-10		
	REFERENCE AND CONFIGURATION LEVEL:	APPROVED S. HSIEH	DATE 11-Jan-17	SCALE: 6.0:1.0 SHEET 2 OF 2	ITEM NO. 106252AASA1FR7F
	FINISH	CAD FILE	DWG SIZE B	REV B	PART NO. 282139-75