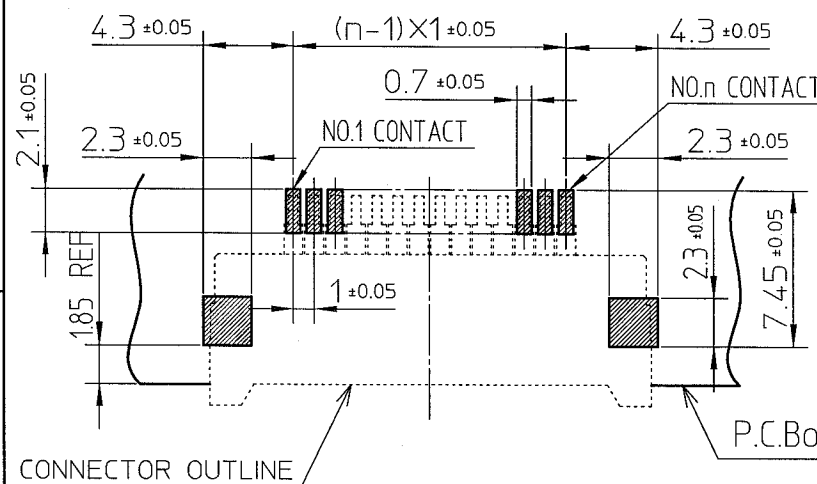


PT. NO.	PARTS NAME	MATERIAL	Q'TY	NOTE
1	HOUSING	GLASS FILLED THERMOPLASTIC RATED.(UL94V-0)	1	COLOR:BRACK
2	CONTACT	BRASS	n	PLATING CONTACT AREA:GOLD OVER NICKL. TERMINAL AREA:TIN (LEAD FREE)
3	MOUNTING PLATE	BRASS	2	PLATING:TIN (LEAD FREE)

RECOMMENDED PC BOARD LAYOUT
(COMPONENT SIDE)

n:NO. OF CONTACTS
(10 TO 30 , ONLY EVEN POS.)



NOTE
1.Flatness for contact terminal and mounting plate must be within 0.1.
2.This product meets European Union Directives and other country regulations as described in GS-22-008.

mat'l. code		surface ISO 1302 ✓		tolerance ISO 406 ISO 1101		projection		product family 590F	
ltr	ecn no	dr	date	tolerances unless otherwise specified		scale		title FLOATING BOARD TO BOARD RECEPTACLE CONNECTOR (GOLD PLATING AND LEAD FREE) (CAT.No.BTFW__R-3RSTGLF)	
A	J08-0128	M.K	Mar.19'08	angles	linear	± 0.3		dwg no JSA 97404 sheet 1 of 1 size A4	
		dr	M.Koga	Mar.19'08			FCJ		type Product Customer Drawing
		enrg	M.Koga	Mar.19'08					Rev A
		chr	K.Higuchi	Mar.19'08					
		appd	M.Koga	Mar.19'08					
sheet index	revision sheet								