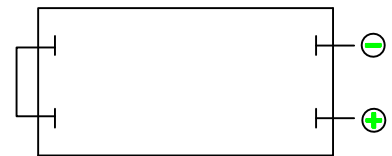
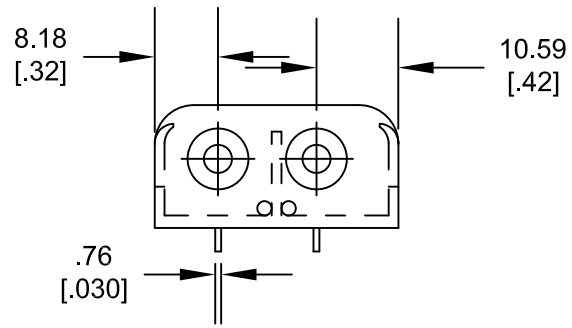
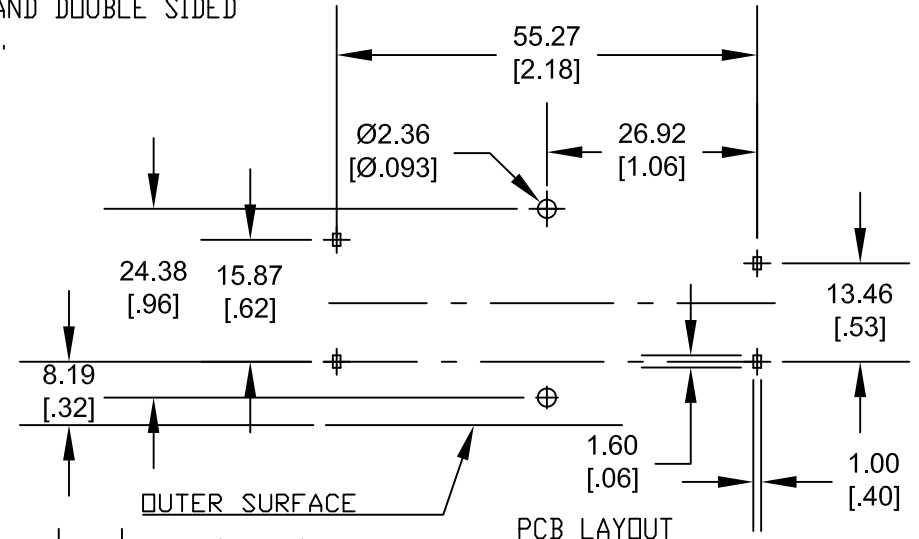
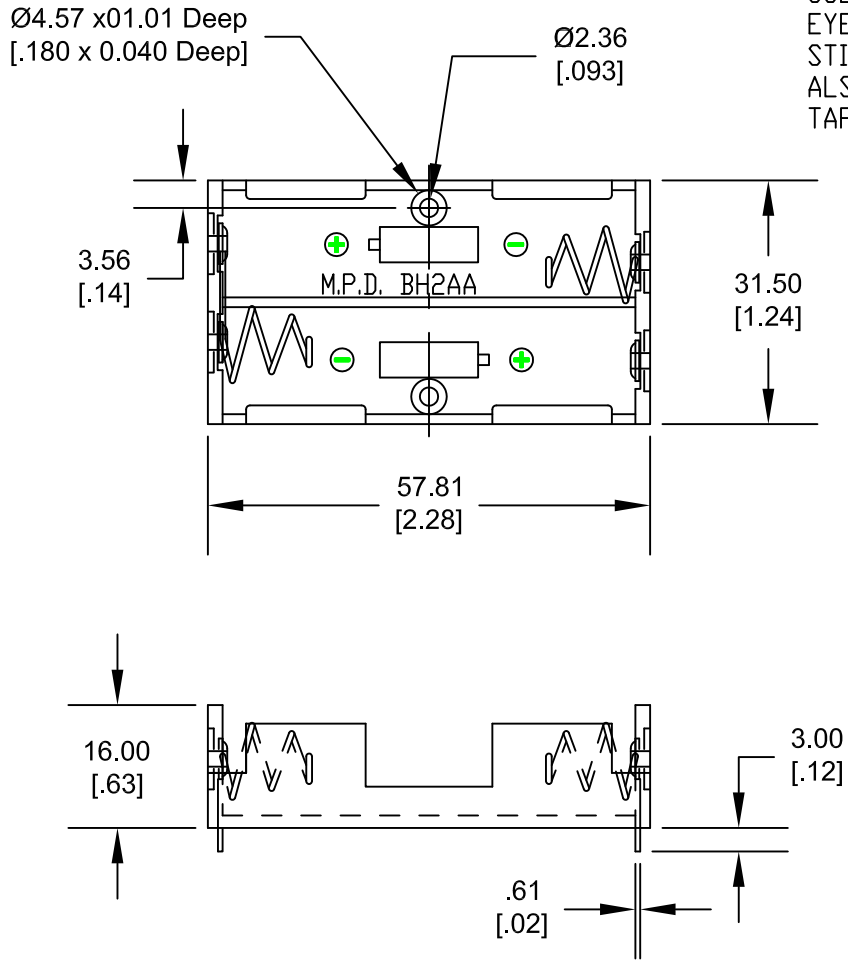


Date	SYM	REVISION RECORD	AUTH	DR.	CK.
10/24/14	G	Redrawn and Updated to ROHS 2 Compliant	T.B.	B.S.	


**MOUNTING INSTRUCTION:**

USE 2-56 MACHINE SCREWS OR EYELETS 0.089" OD BY 0.15" FLANGE STIMPSON GS-3 SERIES OR EQUIVALENT ALSO ADHESIVES AND DOUBLE SIDED TAPES WORK WELL.



**NOTES:**

**MATERIAL:**  
HOUSING: IMPACT RESISTANCE NYLON #6, BLACK, UL 94V-0, MATERIAL FILE #UL E48285  
SPRING: SPRING STEEL, NICKLE PLATED  
CONTACTS: SPRING STEEL, NICKLE PLATED  
EYELETS: BRASS, NICKLE PLTD.  
ROHS 2 COMPLIANT

Tolerance (Inches)	 <b>Memory Protection Devices, Inc</b> 200 Broad Hollow Road, Farmingdale, New York 11735		
Decimal		Scale	Drawn By B.S.
$\pm .5$ (.020)			Approved By T.B.
Fractional	Title		
$\pm .8$ (.030)	2AA BATTERY HOLDER WITH FOUR PC PINS		
Angular	Date	Drawing Number	
$\pm 3^\circ$	10/24/14	BH2AAPC-4	