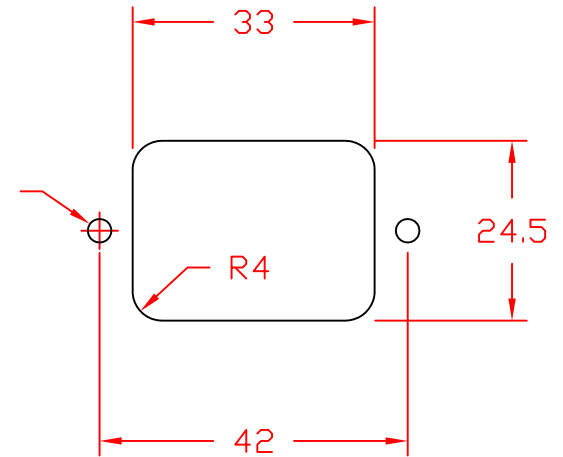
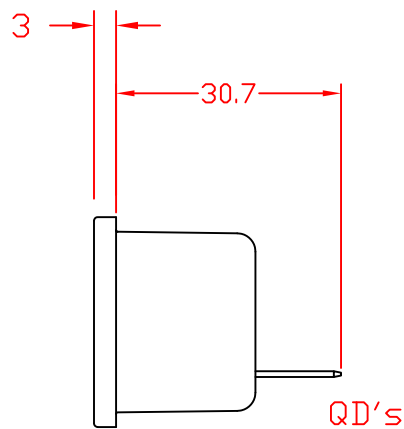


∅3.2(x2)[See Note 1]



Cut Out



Note 1: Recommended diameter for thru-hole (screw/nut combination) hardware mounting method. Other methods will require holes with different dimensions and parameters.

THIS DOCUMENT AND ITS CONTENTS ARE THE PROPRIETARY CONFIDENTIAL PROPERTY OF INTERPOWER CORPORATION. NO USE OR COPIES MAY BE MADE WITHOUT WRITTEN PERMISSION FROM INTERPOWER CORPORATION.

DIMENSIONS IN MILLIMETERS

TITLE IEC 60320 C24

DRAFT BY: KMA DATE: 8-22-02

DRAFTING APPROVAL: DDF DATE: 8-23-02

PART NUMBER: 83030500

MATERIAL: PBT

DO NOT SCALE

INTERPOWER CORPORATION

SHEET 1 OF 1

REV	CHANGE DESCRIPTION	DATE
A	Added dimensions to screw holes and added Note 1.	09/15/11