

4-928247-4 ✓ ACTIVE

[RAST | RAST 5 IDC Connectors](#)

TE Internal #: 4-928247-4

Housing, Receptacle, Wire-to-Board, 4 Position, .197 in [5 mm]  
Centerline, Crimp, 1 Row, Natural, Mating Retention, RAST 5 IDC  
Connectors

[View on TE.com >](#)



[Connectors](#) > [PCB Connectors](#) > [Wire-to-Board Connectors](#) > [Wire-to-Board Connector Assemblies & Housings](#)



Connector Product Type: **Housing**

Connector & Housing Type: **Receptacle**

Connector System: **Wire-to-Board**

Number of Positions: **4**

Centerline (Pitch): **5 mm [ .197 in ]**

## Features

### Product Type Features

Connector Product Type	Housing
Connector & Housing Type	Receptacle
Connector System	Wire-to-Board
Sealable	No
Connector & Contact Terminates To	Wire & Cable

### Configuration Features

Keying & Polarized Rib Location	1b
Number of Positions	4
Number of Rows	1

### Body Features

Primary Product Color	Natural
-----------------------	---------

### Termination Features

Termination Method to Wire & Cable	Crimp
------------------------------------	-------

### Mechanical Attachment

Locking Latch Between Cavity Number	1&2/3&4
Strain Relief	Without
Panel Mount Feature	Without
PCB Mount Retention	Without
Mating Retention Type	Latch
Mating Retention	With
Connector Mounting Type	Cable Mount (Free-Hanging)

### Housing Features

Housing Material	Nylon
Centerline (Pitch)	5 mm [.197 in]

### Dimensions

Connector Length	20 mm [.79 in]
Connector Height	14.4 mm [.567 in]

### Usage Conditions

Operating Temperature Range	-40 – 110 °C [-40 – 230 °F]
-----------------------------	-----------------------------

### Operation/Application

Circuit Application	Power & Signal
---------------------	----------------

### Industry Standards

RAST Version	04-A
Glow Wire Rating	Glow Wire
UL Flammability Rating	UL 94V-2

### Packaging Features

Packaging Quantity	2500
Packaging Method	Bag

### Product Compliance

[For compliance documentation, visit the product page on TE.com>](#)

EU RoHS Directive 2011/65/EU	Compliant
EU ELV Directive 2000/53/EC	Compliant
China RoHS 2 Directive MIIT Order No 32, 2016	No Restricted Materials Above Threshold
EU REACH Regulation (EC) No. 1907/2006	

Current ECHA Candidate List: JUNE 2023

(235)

Candidate List Declared Against: JAN 2023

(233)

Does not contain REACH SVHC

Halogen Content

Low Halogen - Br, Cl, F, I < 900 ppm per homogenous material. Also BFR/CFR/PVC Free

Solder Process Capability

Not applicable for solder process capability

Product Compliance Disclaimer

This information is provided based on reasonable inquiry of our suppliers and represents our current actual knowledge based on the information they provided. This information is subject to change. The part numbers that TE has identified as EU RoHS compliant have a maximum concentration of 0.1% by weight in homogenous materials for lead, hexavalent chromium, mercury, PBB, PBDE, DBP, BBP, DEHP, DIBP, and 0.01% for cadmium, or qualify for an exemption to these limits as defined in the Annexes of Directive 2011/65/EU (RoHS2). Finished electrical and electronic equipment products will be CE marked as required by Directive 2011/65/EU. Components may not be CE marked. Additionally, the part numbers that TE has identified as EU ELV compliant have a maximum concentration of 0.1% by weight in homogenous materials for lead, hexavalent chromium, and mercury, and 0.01% for cadmium, or qualify for an exemption to these limits as defined in the Annexes of Directive 2000/53/EC (ELV). Regarding the REACH Regulation, the information TE provides on SVHC in articles for this part number is based on the latest European Chemicals Agency (ECHA) 'Guidance on requirements for substances in articles' posted at this URL: <https://echa.europa.eu/guidance-documents/guidance-on-reach>

## Compatible Parts



TE Part # 6-928247-2  
2P ST-TIMER GEH



TE Part # 5-928247-3  
STD TIMER GEH 3P



TE Part # 928247-4  
4P ST-TIMER GEH



TE Part # 2-928247-5  
STD TIMER GEH 5P



TE Part # 5-928344-4  
STD TIMER HOUSING 4POS



TE Part # 1-928247-1  
11P ST-TIMER GEH



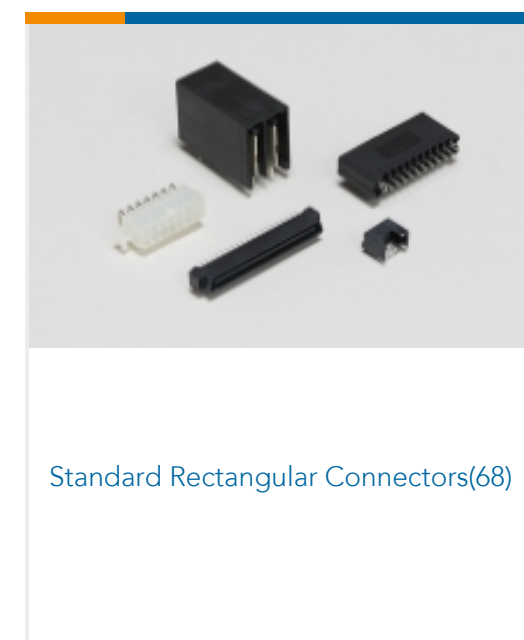
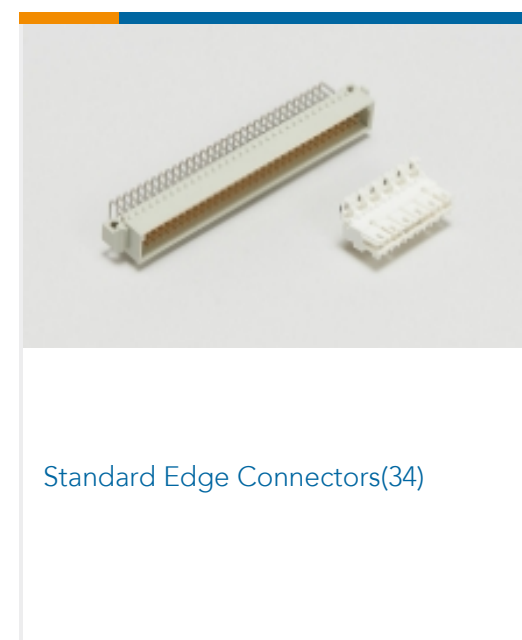
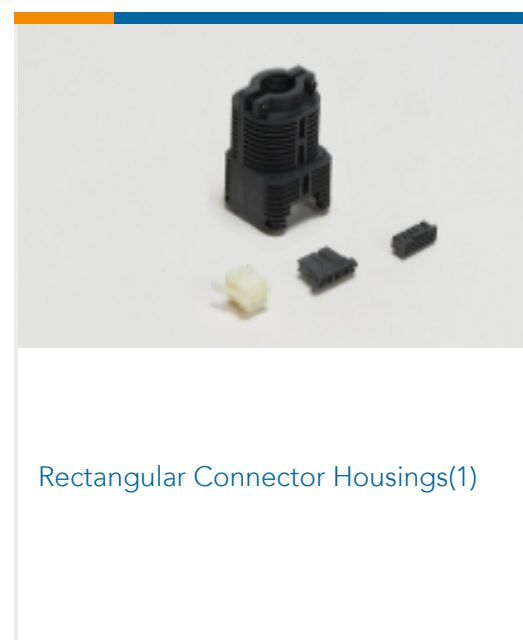
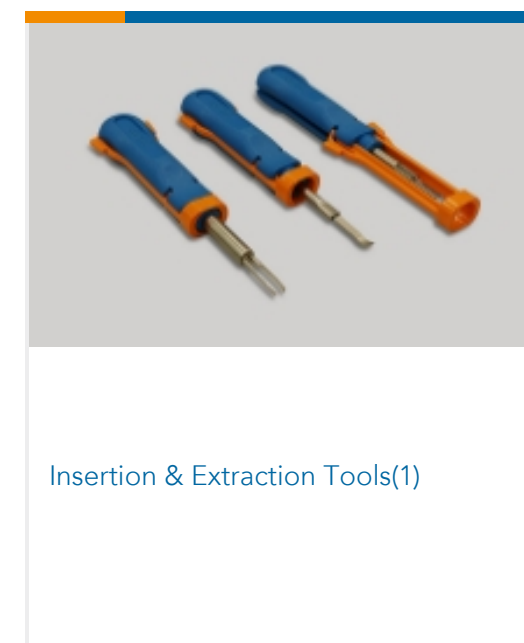
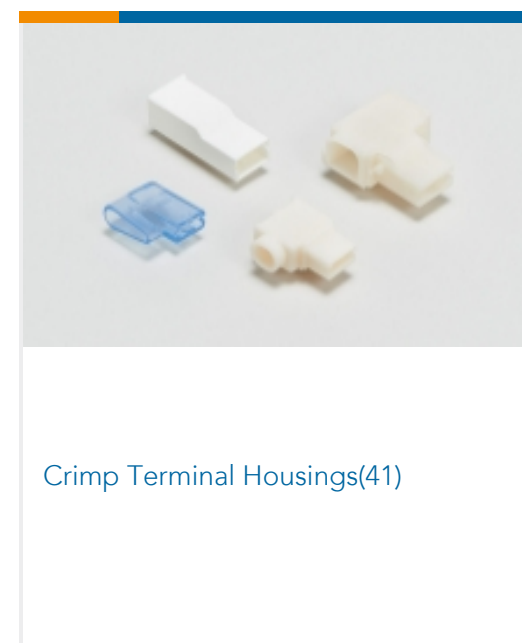
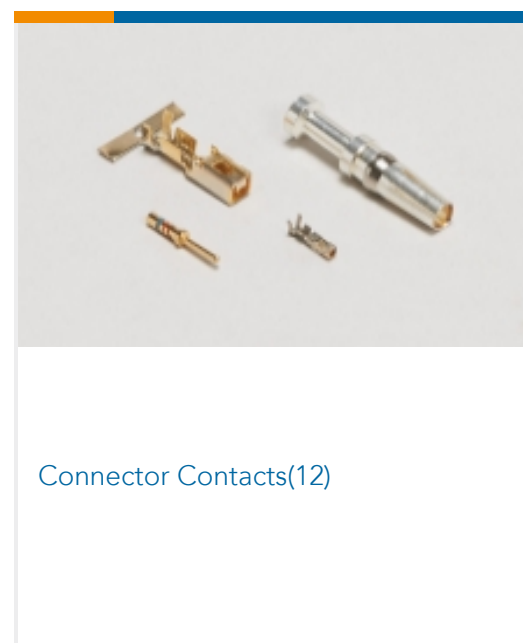
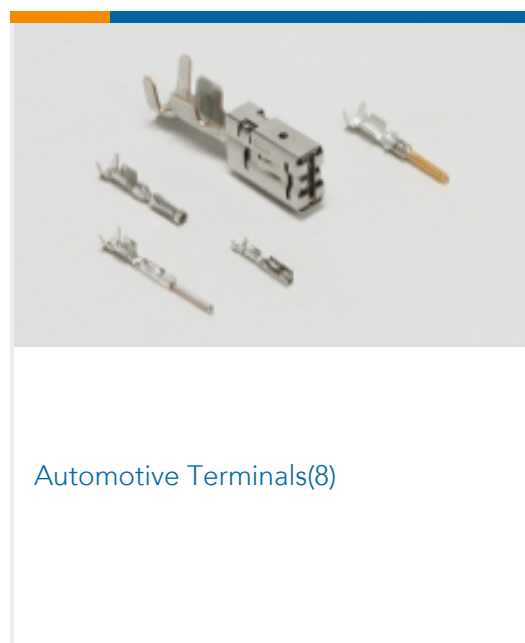
TE Part # 928247-8  
8P ST-TIMER GEH



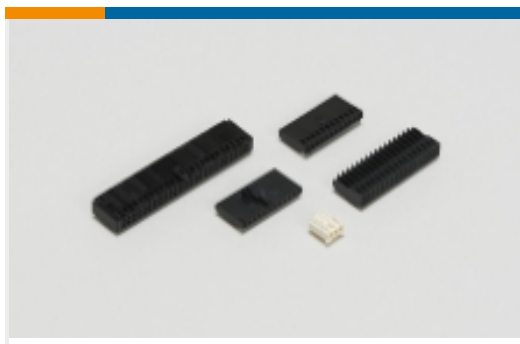
TE Part # 1-2295787-7  
STD TIMER PLUG HSG 7P W/EXT. LOCKING



## Also in the Series | RAST 5 IDC Connectors







Wire-to-Board Connector Assemblies & Housings(214)

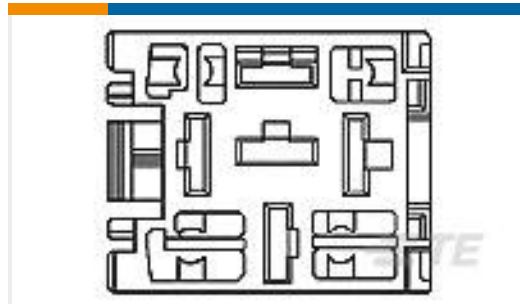


Wire-to-Board Connector Contacts(2)

## Customers Also Bought



TE Part #280379-1  
6P AMPMODU II SHRD HDR, RT ANG, TIN



TE Part #280289  
MODULAR RELAY CONN.



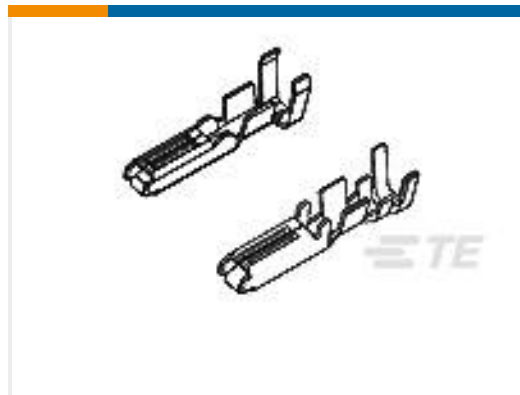
TE Part #350923-3  
UMNL SOK 10-12 .0125 PTPPHBZ



TE Part #964203-1  
STD PW TIMER CONTACT



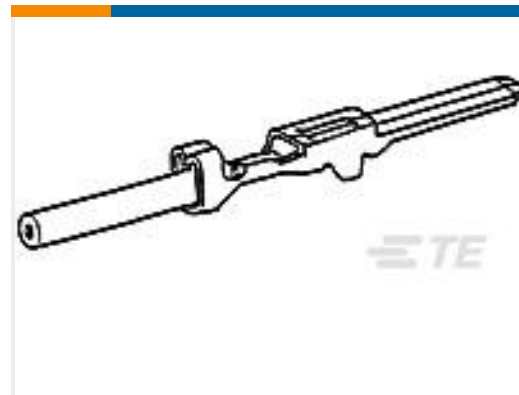
TE Part #963709-1  
TIMER, RECEPTACLE AND TAB



TE Part #282375-1  
070 MULTILOCK RCPT CONT



TE Part #1241396-1  
AMP MCP 2.8K, CONTACT, SWS



TE Part #282378-1  
070 SERIES TAB CONTACT



TE Part #284863-1  
SINGLE WIRE SEAL F.EXT.INS.DIA

## Documents

### Product Drawings

[STD TIMER GEH 4P](#)

English

[STD TIMER GEH 4P](#)

English

### CAD Files

[3D PDF](#)

[3D](#)



**Customer View Model**

[ENG\\_CVM\\_CVM\\_4-928247-4\\_L.2d\\_dxf.zip](#)

English

**Customer View Model**

[ENG\\_CVM\\_CVM\\_4-928247-4\\_L.3d\\_igs.zip](#)

English

**Customer View Model**

[ENG\\_CVM\\_CVM\\_4-928247-4\\_L.3d\\_stp.zip](#)

English

By downloading the CAD file I accept and agree to the [Terms and Conditions](#) of use.

---

**Datasheets & Catalog Pages**

[1654742\\_HOUSEHOLD\\_APPLIANCES\\_RAST5](#)

English

---

**Product Environmental Compliance**

[TE Material Declaration](#)

English

---

**Agency Approvals**

[VDE Certificate](#)

English

[VDE Certificate](#)

English