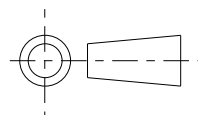


ISS.	DATE	E.C.N.	DESCRIPTION
3	15-01-07	1/07/1198	SCALLOP SIZE INCREASED TO R3.75
3A	20-09-12	09/12/1347	TOLERANCE CHANGE

© 2004 CTP-COIL  
ALL DIMENSIONS IN mm



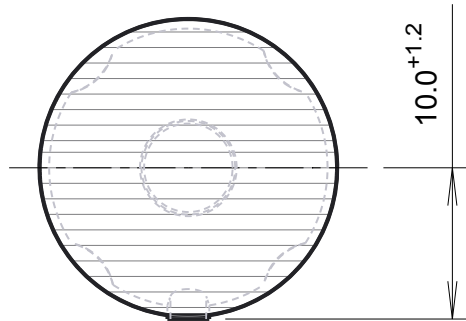
**CUSTOMER DRAWING**



CTP-COIL  
111 BUCKINGHAM AVE, SLOUGH  
SL1 4PF, ENGLAND  
TEL: +44 1753 575011 FAX: +44 1753 811359  
e-mail: design@ctpcoil.co.uk}

GENERAL TOLERANCES (UNLESS STATED)

LINEAR	ANGULAR
X +/- 0.25	X +/- 1°
X.X +/- 0.1	X.X +/- 0.5°
X.XX +/- 0.05	X.XX +/- 0.1°



3D VIEW  
SCALE 1:1

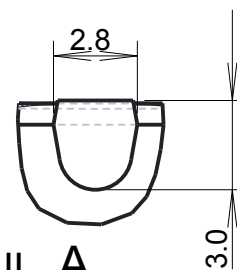
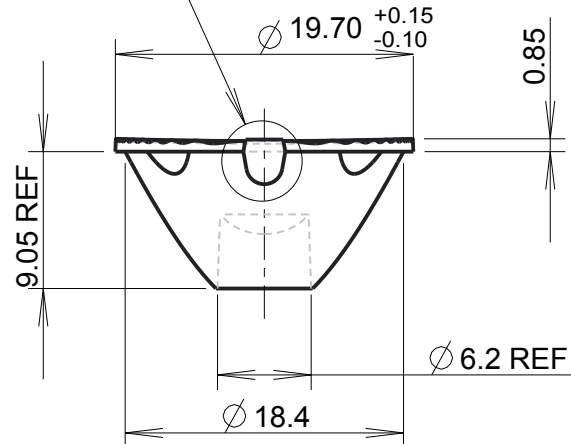
CUSTOMER

CARCLO

TITLE

LED OPTIC 25 DEG LINEAR

SEE DETAIL A



DETAIL A  
SCALE 4:1

DRAWN	DATE
AJD	28-Jul-06
CHK'D	DATE
PW	20-Sep-12
APP'D	DATE
MH	20-Sep-12

SCALE	COIL PART No.
2:1	10003/L25

SIZE	COIL DRG. No.	SHEET
A4	60348	2 OF 2

NOTES:-  
1. MATERIAL: POLYCARBONATE