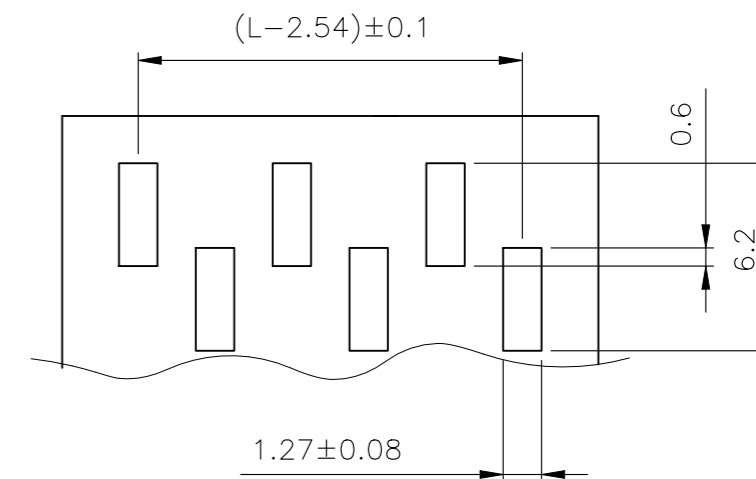
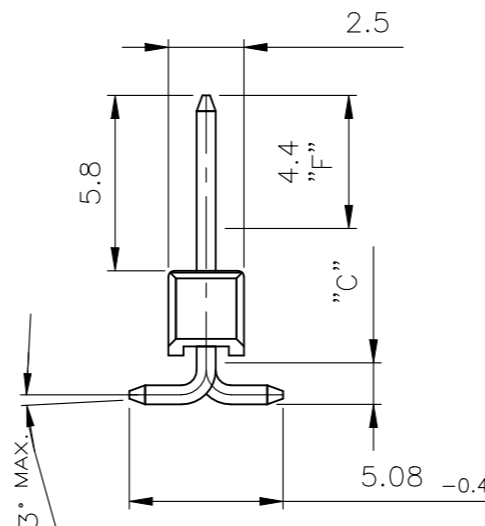
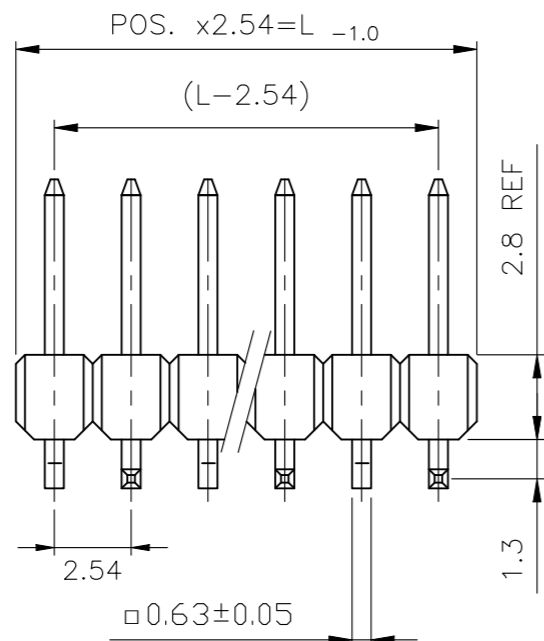
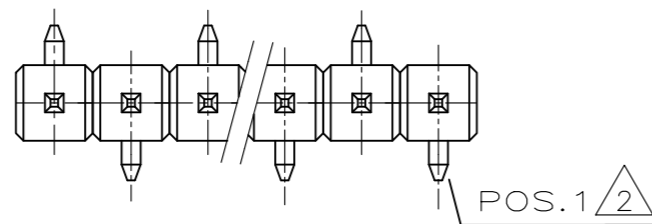


Pos.	L _{-0.9}
-	-
3	7.62
4	10.16
5	12.7
6	15.24
7	17.78
8	20.32
9	22.86
10	25.4
11	27.94
12	30.48
13	33.02
14	35.56
15	38.1
16	40.64
17	43.18

P	LTR	DESCRIPTION	DATE	DWN	APVD
	E1	NOTE 1 0.76µm PLATING UPDATE (PdNi+AuFLASH)	12JUL2023	BGC	PS



RECOMMENDED PCB-LAYOUT



1 MATING SIDE: Min 0.76µm (PdNi + Au FLASH) IN ZONE "F" OVER Min 1.27µm Ni

(Alternative plating - Min 0.76µm Au OVER Min 1.27µm Ni)

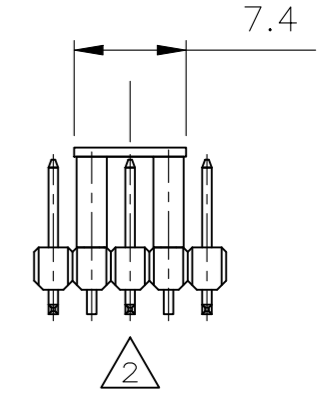
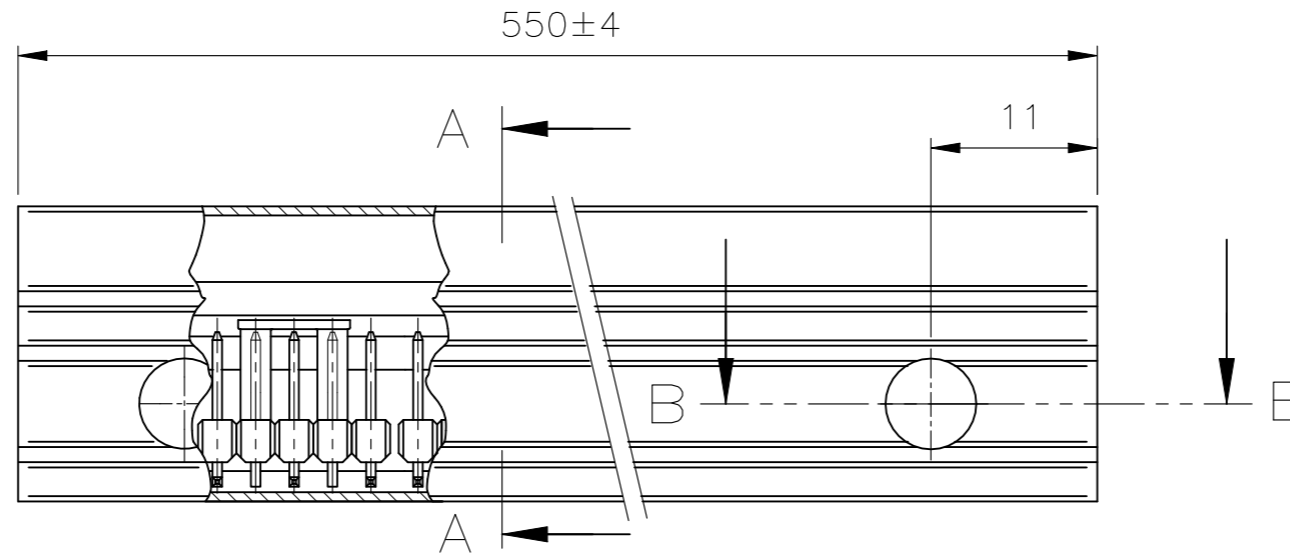
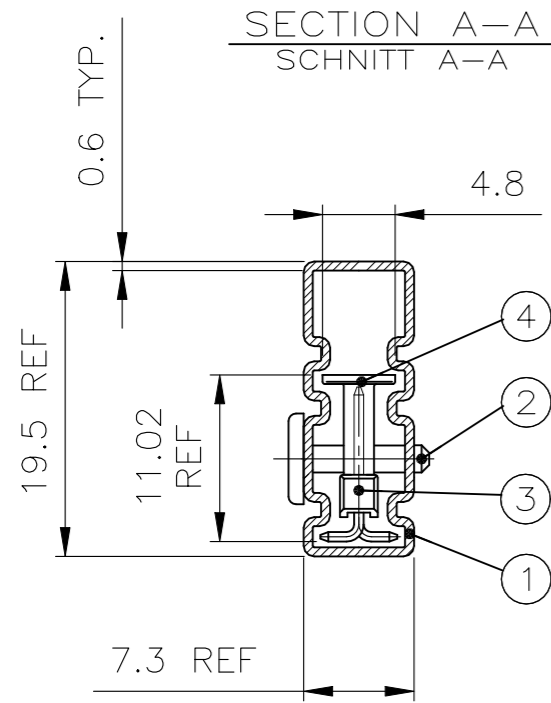
SOLDER SIDE: 3.0 - 5.0 µm TIN OVER MIN. 1.27µm NICKEL

2 PAY ATTENTION THE POSITION OF 1st CONTACT

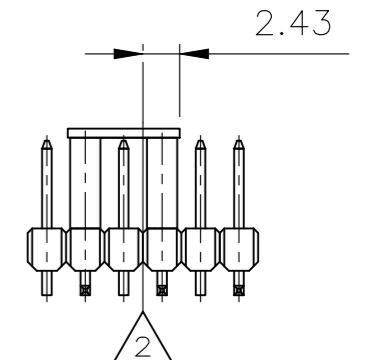
KONTAKTSTIFT / CONTACT PIN	CuZn	1	2
STIFTGEHÄUSE / PIN HOUSING	PCT	SCHWARZ / BLACK	1
BENENNUNG EINZELTEIL PART DESCRIPTION	WERKSTOFF MATERIAL	OBERFLÄCHE / FARBE SURFACE / COLOR	SI No

THIS DRAWING IS A CONTROLLED DOCUMENT.		DWN A.HO 24MAR1995	TE Connectivity Ltd.													
DIMENSIONS: mm		CHK M.SCHAARSCHMIDT 24MAR1995														
TOLERANCES UNLESS OTHERWISE SPECIFIED: TOL ± 0.2		APVD -	NAME AMPMODU II PINHEADER, SINGLE ROW, SMD-WITH PACKING TUBE.													
<table border="1"> <tbody> <tr><td>0 PLC</td><td>±</td></tr> <tr><td>1 PLC</td><td>±</td></tr> <tr><td>2 PLC</td><td>±</td></tr> <tr><td>3 PLC</td><td>±</td></tr> <tr><td>4 PLC</td><td>±</td></tr> <tr><td>ANGLES</td><td>±</td></tr> </tbody> </table>		0 PLC	±	1 PLC	±	2 PLC	±	3 PLC	±	4 PLC	±	ANGLES	±	PRODUCT SPEC 108-18012	RESTRICTED TO	
0 PLC	±															
1 PLC	±															
2 PLC	±															
3 PLC	±															
4 PLC	±															
ANGLES	±															
MATERIAL SEE TABLE		FINISH SEE TABLE	APPLICATION SPEC -	SIZE A3												
		WEIGHT -	CAGE CODE 00779	DRAWING NO C-966306												
		CUSTOMER DRAWING		SCALE 2:1												
				SHEET 1 OF 2												
				REV E1												

P	LTR	DESCRIPTION	DATE	DWN	APVD
-	-	SEE SHEET 1	-	-	-



ODD NUMBER OF POSITION
UNGERADE POLZAHL

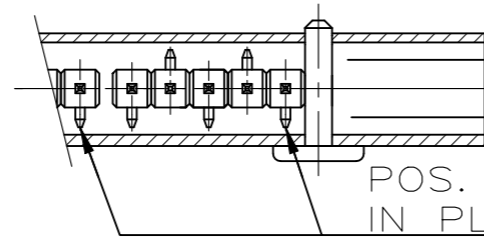


EVEN NUMBER OF POSITION
GERADE POLZAHL

POSITION IN TUBE
Lage in Verpackungsröhre

- 5 OBSOLETE
- 4 OBSOLETE PARTS: OBSOLETE CIS STREAMLINING PER D.RENAUD/D.SINISI
- 3 SEE TABLE SIEHE TABELLE
- 2 CENTERLINE OF PIN HEADER MITTELLINIE DER STIFTLAISTE
- 1 AMPMODU II SMD-PIN HEADER SEE SHEET 1 OF 2. AMPMODU II SMD-STIFTLAISTE SIEHE BLATT 1 VON 2.

SECTION B-B
SCHNITT B-B



POS. 1 OF PIN HEADER
IN PLACE 5 POS. SHOWN
POS. 1 DER STIFTLAISTE
HIER 5 POL. GEZEICHNET

BESTELL-NR. PART NO.	POLZ. PROREIHE POLZ. PER ROW	VERPACKUNGS-EINHEIT PACKING UNIT
1-966306-2	12	17
1-966306-0	10	20
966306-9	9	23
966306-8	8	25
966306-7	7	29
966306-6	6	34
966306-5	5	41
966306-4	4	51
966306-3	3	69

OBSOLETE 4

ORDER-NR	POS.	STÜCK / PIECE	BENENNUNG EINZELTEIL PART DESCRIPTION	WERKSTOFF MATERIAL	OBERFLÄCHE / FARBE SURFACE / COLOR	SI No
S.TABELLE SEE TABLE	4	3	ADAPTER	PCT-GV	SCHWARZ / BLACK	4
	3	3	AMPMODU II STIFTL., SMD	1	1	3
	2	2	VERSCHL. STIFT / LOCKS PIN	PP	ROT / RED	2
	1	1	VERPACKUNGSRÖHR / PACKING PIPE	ANTI-STATISCH	TRANSPARENT	1

THIS DRAWING IS A CONTROLLED DOCUMENT.

DIMENSIONS: mm	TOLERANCES UNLESS OTHERWISE SPECIFIED: TOL ± 0.2
	0 PLC ± -
	1 PLC ± -
	2 PLC ± -
	3 PLC ± -
	4 PLC ± -
	ANGLES ± -
MATERIAL SEE TABLE	FINISH SEE TABLE

DWN A.HO 24MAR1995	TE Connectivity Ltd.
CHK M.SCHAARSCHMIDT 24MAR1995	
APVD -	NAME AMPMODU II PINHEADER, SINGLE ROW, SMD-WITH PACKING TUBE.
PRODUCT SPEC 108-18012	SIZE A3
APPLICATION SPEC -	CAGE CODE 00779
WEIGHT -	DRAWING NO C-966306
CUSTOMER DRAWING	RESTRICTED TO -
SCALE 2:1	SHEET 2 OF 2
REV E1	