

BME680

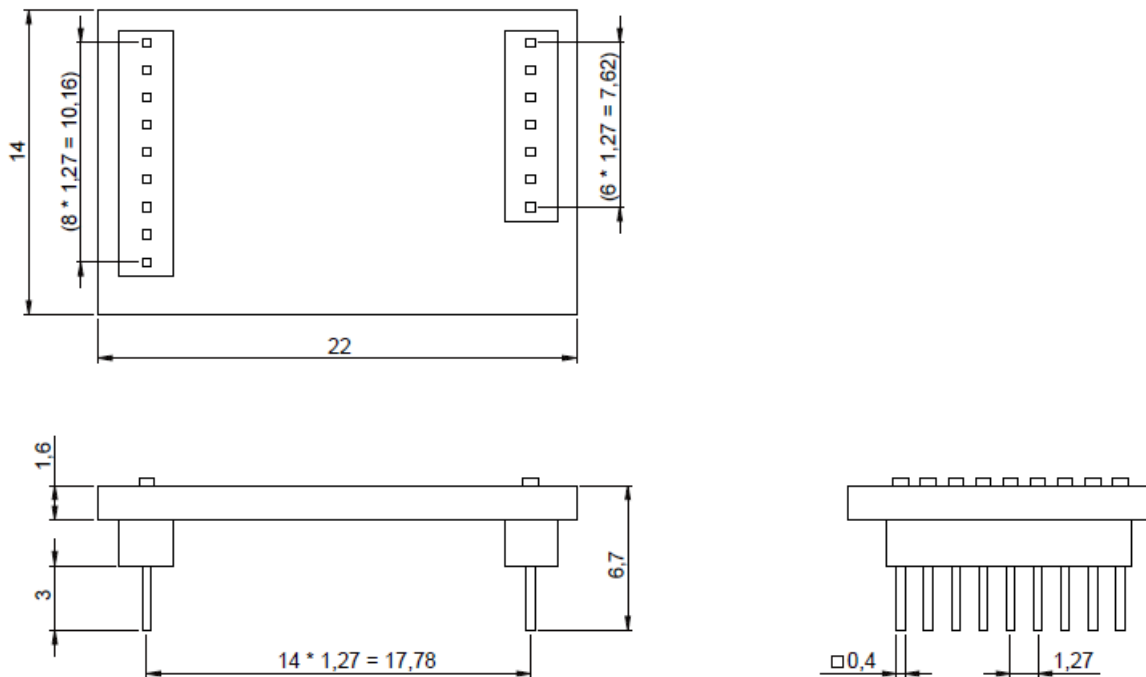
Shuttle board 3.0 flyer

GENERAL DESCRIPTION

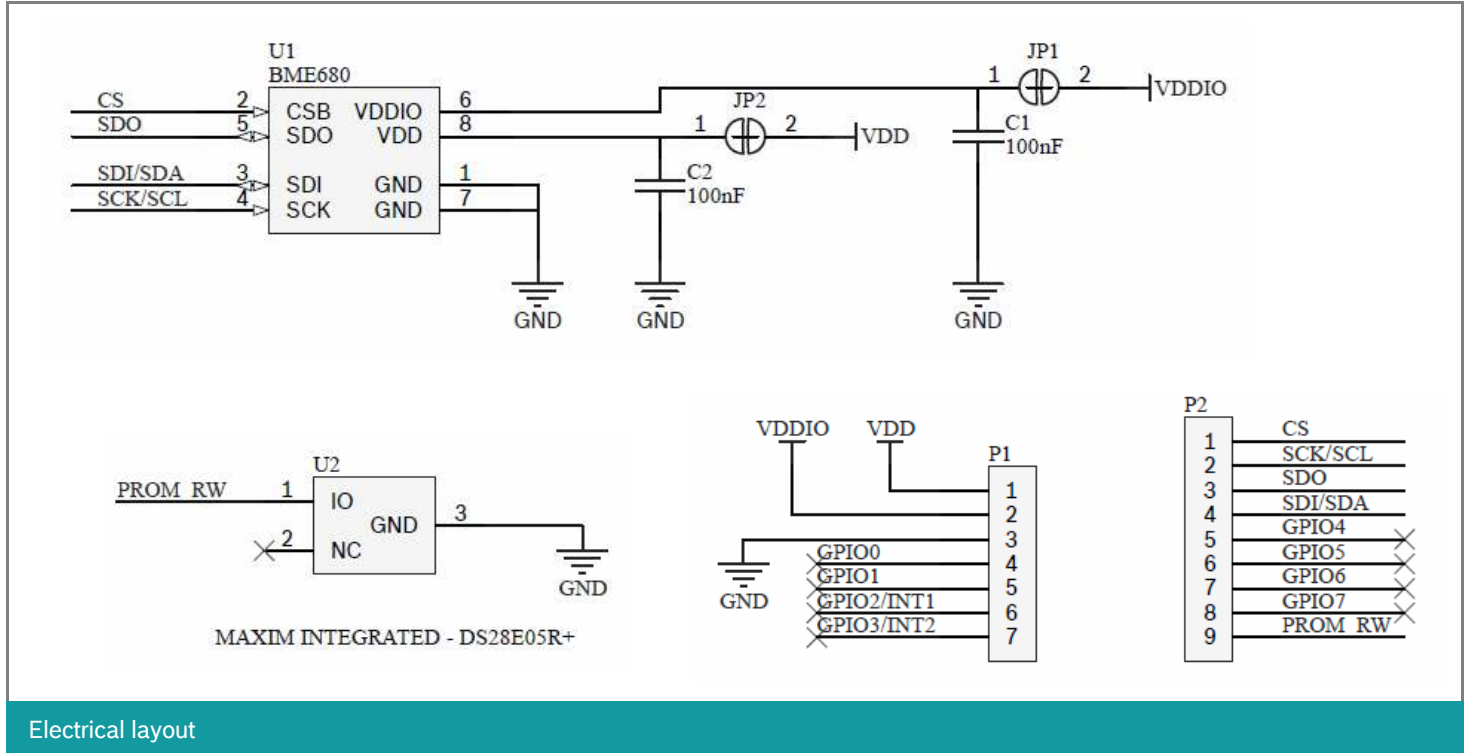
The Bosch Sensortec BME680 shuttle board 3.0 is a PCB with the gas, pressure, temperature and humidity sensor BME680 mounted on it. In combination with the application board 3.0, the shuttle board can be used to evaluate various functionalities provided on BME680. The shuttle board allows easy access to the sensor pins via a simple socket and can be directly plugged into the Bosch Sensortec's application board 3.0.



Note: Product photo may differ from real product's appearance



Shuttle board outline dimensions (all dimensions in mm)



Electrical layout

DESIGNATOR P1 SHUTTLE BOARD CONNECTOR

| Pin | Pin name | Description |
|-----|------------|--------------|
| 1 | VDD | Power supply |
| 2 | VDDIO | Power supply |
| 3 | GND | Ground |
| 4 | GPIO0 | NC |
| 5 | GPIO1 | NC |
| 6 | GPIO2/INT1 | NC |
| 7 | GPIO3/INT2 | NC |

Shuttle board identification:

- ▶ Shuttle ID: 0x93
- ▶ Shuttle board identifier: BST00763

DESIGNATOR P2 SHUTTLE BOARD CONNECTOR

| Pin | Pin name | Description |
|-----|----------|---|
| 1 | CS | Chip selection pin of SPI bus |
| 2 | SCK/SCL | Clock pin of SPI bus / clock pin of I2C bus |
| 3 | SDO | Master-input-slave-output data pin of SPI bus |
| 4 | SDI/SDA | Master-output-slave-input data pin of SPI bus / data pin of I2C bus |
| 5 | GPIO4 | NC |
| 6 | GPIO5 | NC |
| 7 | GPIO6 | NC |
| 8 | GPIO7 | NC |
| 9 | PROM_RW | Connect to EEPROM |

**Headquarters
Bosch Sensortec GmbH**

Gerhard-Kindler-Strasse 9
72770 Reutlingen · Germany
Telephone +49 7121 3535 900
Fax +49 7121 3535 909

www.bosch-sensortec.com