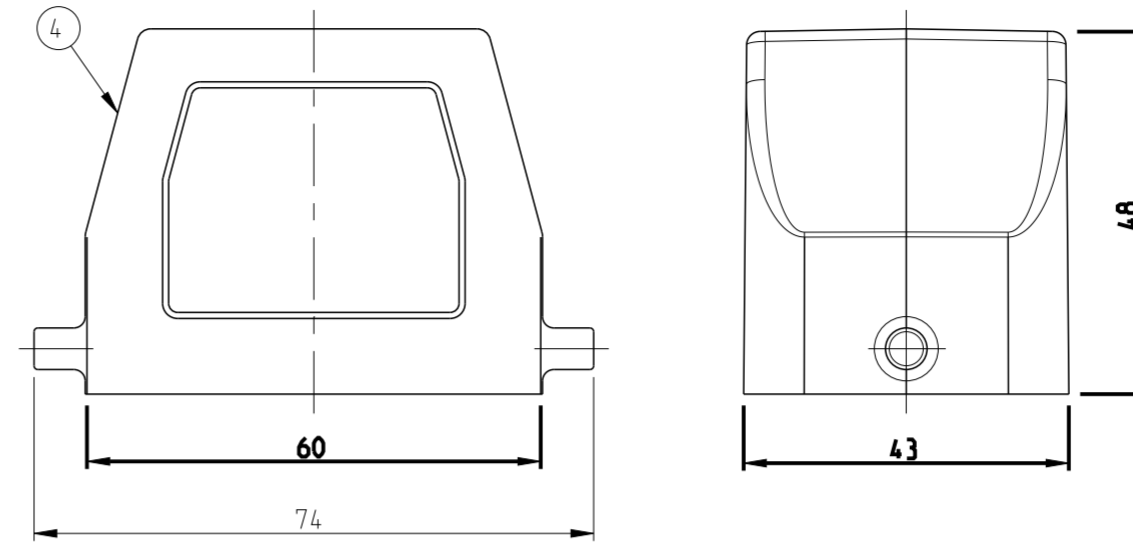
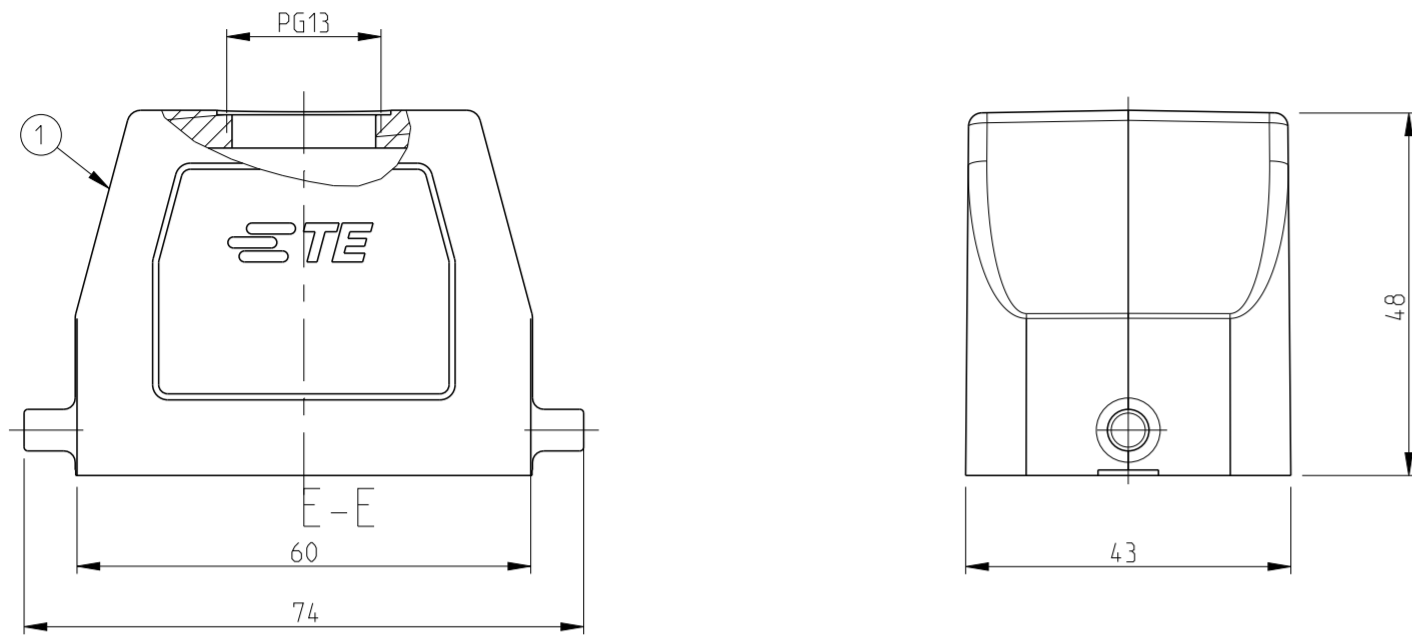


THIS DRAWING IS UNPUBLISHED. RELEASED FOR PUBLICATION 1999
 © COPYRIGHT 1998 ALL RIGHTS RESERVED.

REVISIONS				DATE	DWN	APVD
P	LTR	DESCRIPTION				
A8		REVISED PER ECR-21-123293	19FEB2022	RK	JB	

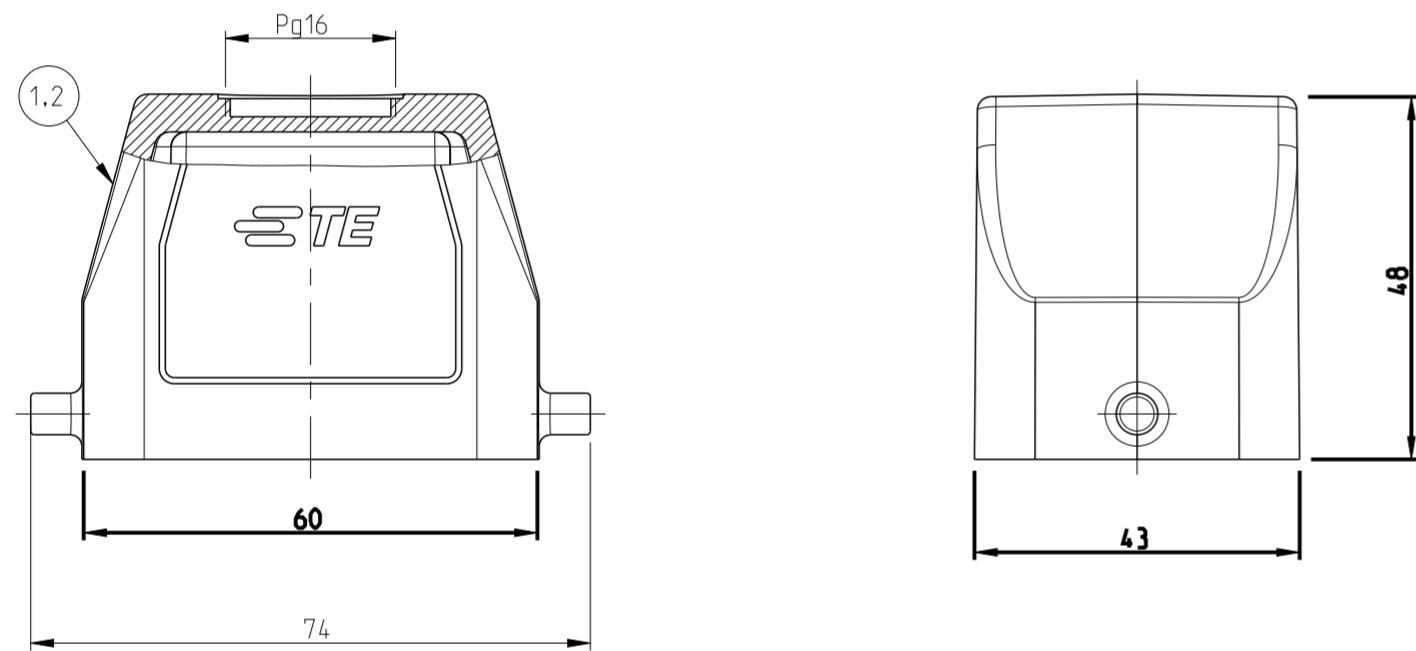
PN 0-1



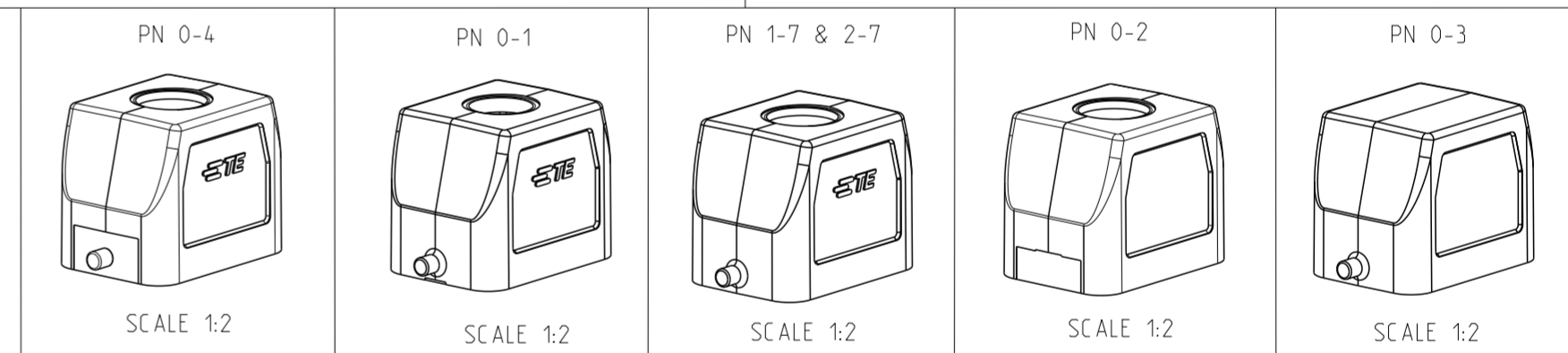
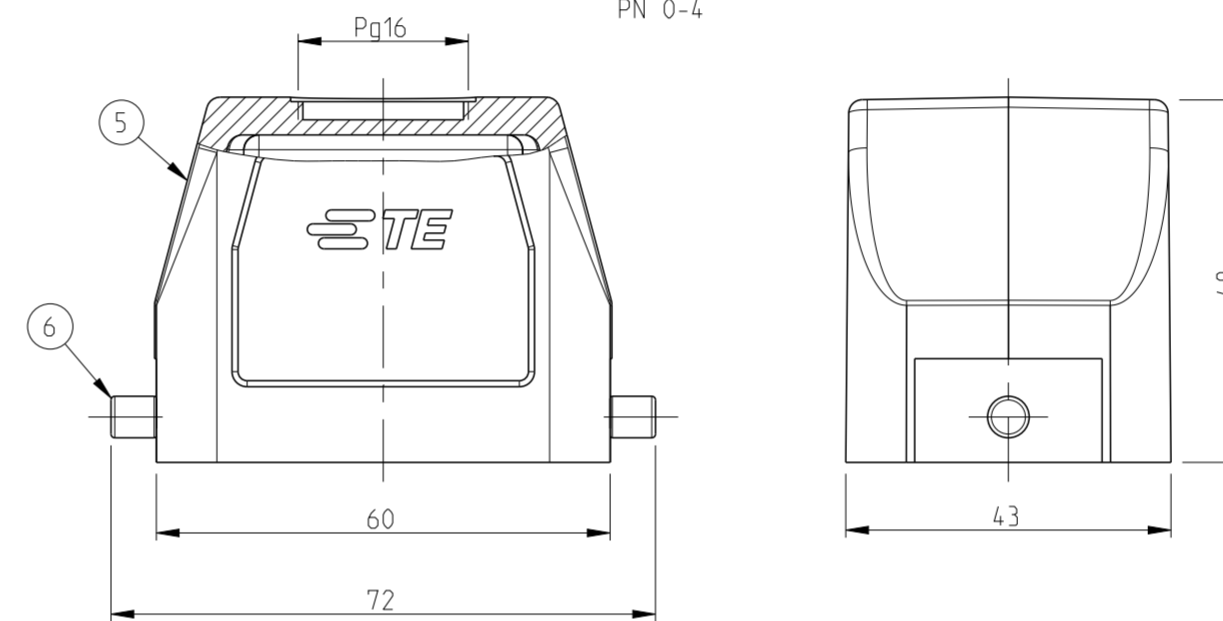
Notes

- 1 Material: Housing: Aluminium diecasting alloy
- 2 Surface:- Varnish-grey
Aluminium oxide+
Varnish black/White
- 3 Varnish on the inside not necessary
- 4 Packaging
Packaging quantity: 5 pieces in a box
- 5 OBSOLETE

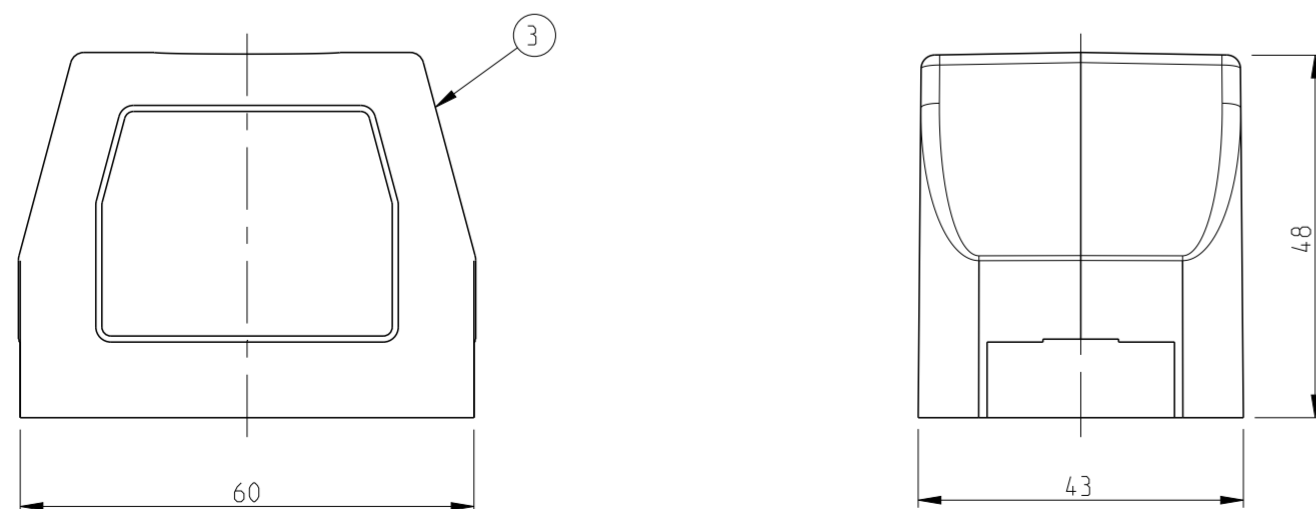
PN 1-7 & 2-7



PN 0-4



PN 0-2



0-4	0-3	0-2	2-7	1-7	0-1	DESCRIPTION	MATERIAL	SURFACE	COLOR	ITEM NO	NOTES
						Clip bolt	Stainless steel			6	
						Hood HB-K	Aluminium	Aluminium oxide	Black	5	
					1	Hood HB-K	Aluminium	Aluminium oxide	Black	4	Without PG-Thread
					1	Hood HB	Aluminium	Aluminium oxide	White	3	Without bolt
					1	Hood HB	Aluminium		Grey	2	
					1	Hood HB-K	Aluminium	Aluminium oxide	Black	1	

ORDERING TEXT
 HB-K.6.STO.1.13.G
 HB.6.STO.1.16.G
 HB-K.6.STO.1.16.G
 HB.6.STO.1.16.G
 HB-K.6.ST
 HB-K.6.STO.1.16.G

THIS DRAWING IS A CONTROLLED DOCUMENT.

DWN Schneider 14.03.00
 CHK Schweiger 14.03.00

APVD

PRODUCT SPEC

APPLICATION SPEC

WEIGHT

CUSTOMER DRAWING

NAME: Hood HB.6.STO.1.13/16.G

SIZE: A2 CAGE CODE: 00779 DRAWING NO: C-1102243 RESTRICTED TO

SCALE: 1:1 SHEET: 1 OF 1 REV: A8