

4

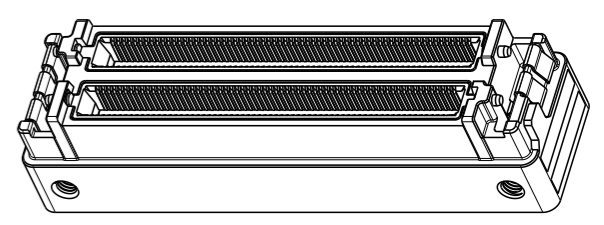
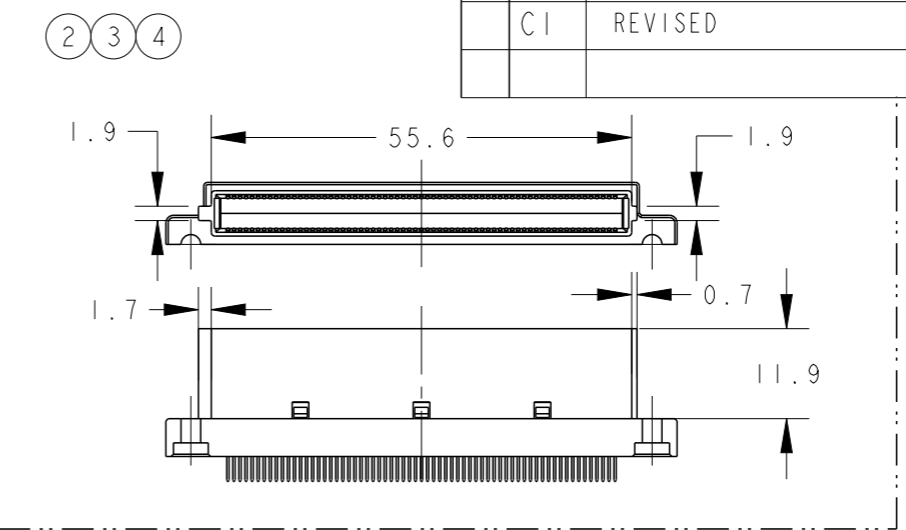
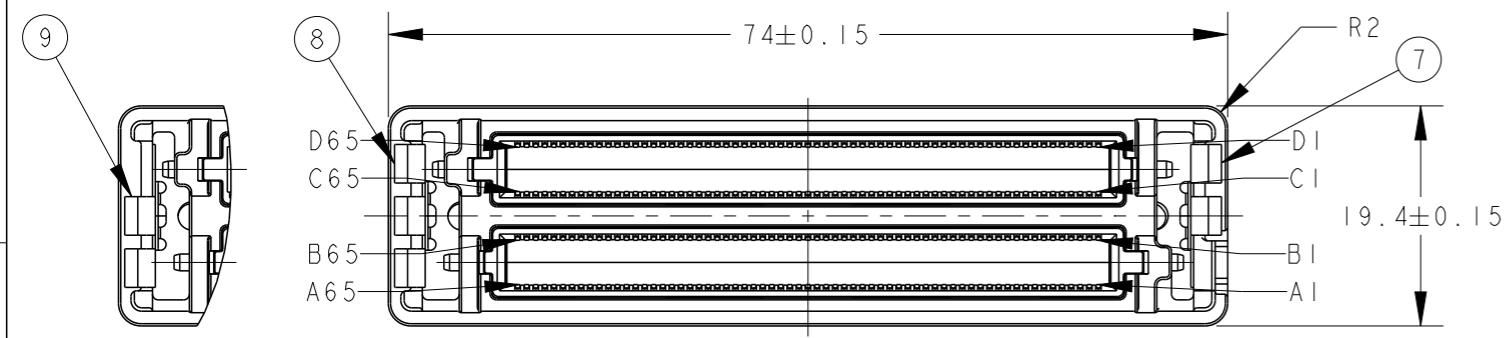
3

2

1

THIS DRAWING IS UNPUBLISHED. RELEASED FOR PUBLICATION 2008
COPYRIGHT 2008-2012 ALL RIGHTS RESERVED.

LOC	DIST	P	LTR	REVISIONS 変更	DESCRIPTION	DATE	DWN	APVD
J	-		B3	REVISED		17JUN2011	T.K	M.K
			C	REVISED		10AUG2012	T.K	M.K
			CI	REVISED		28OCT2015	T.K	M.K

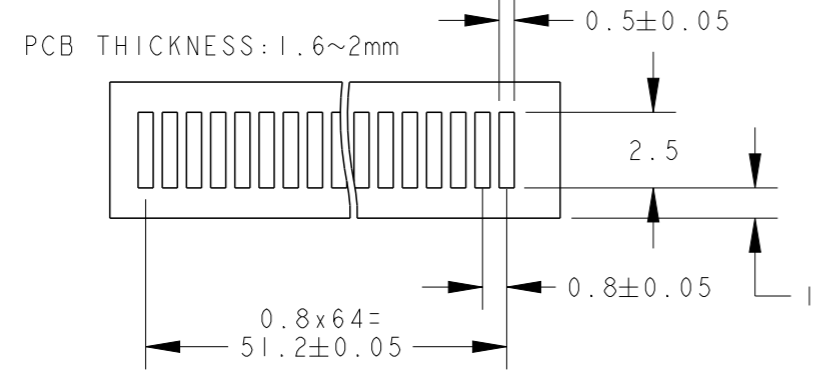
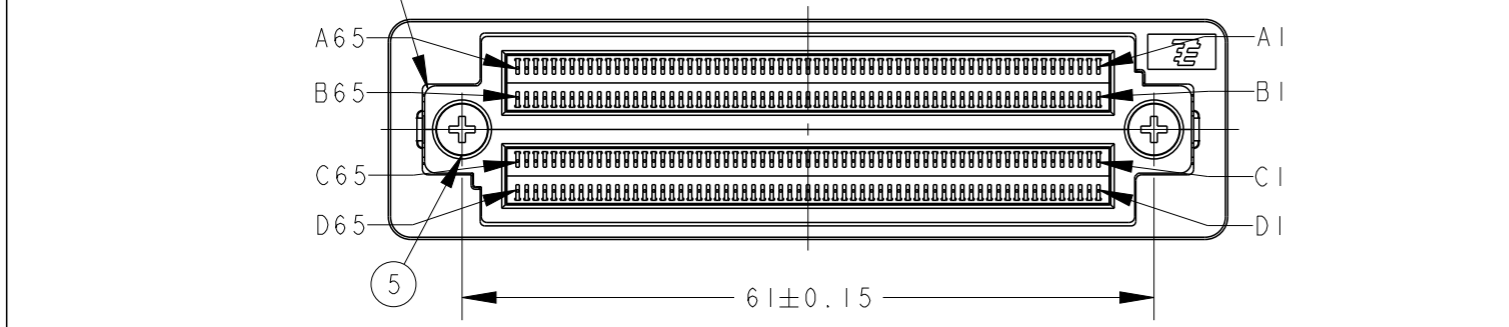
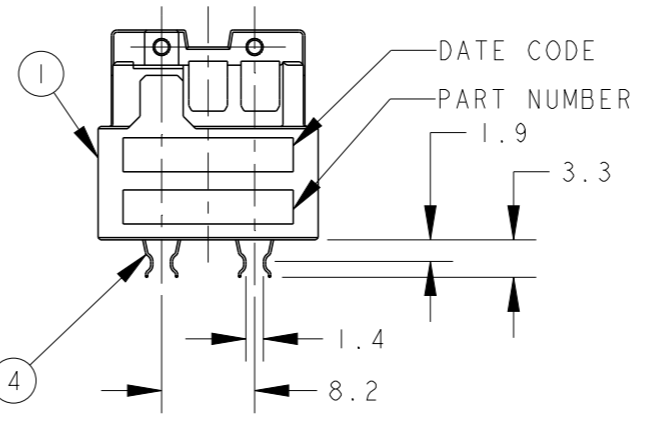
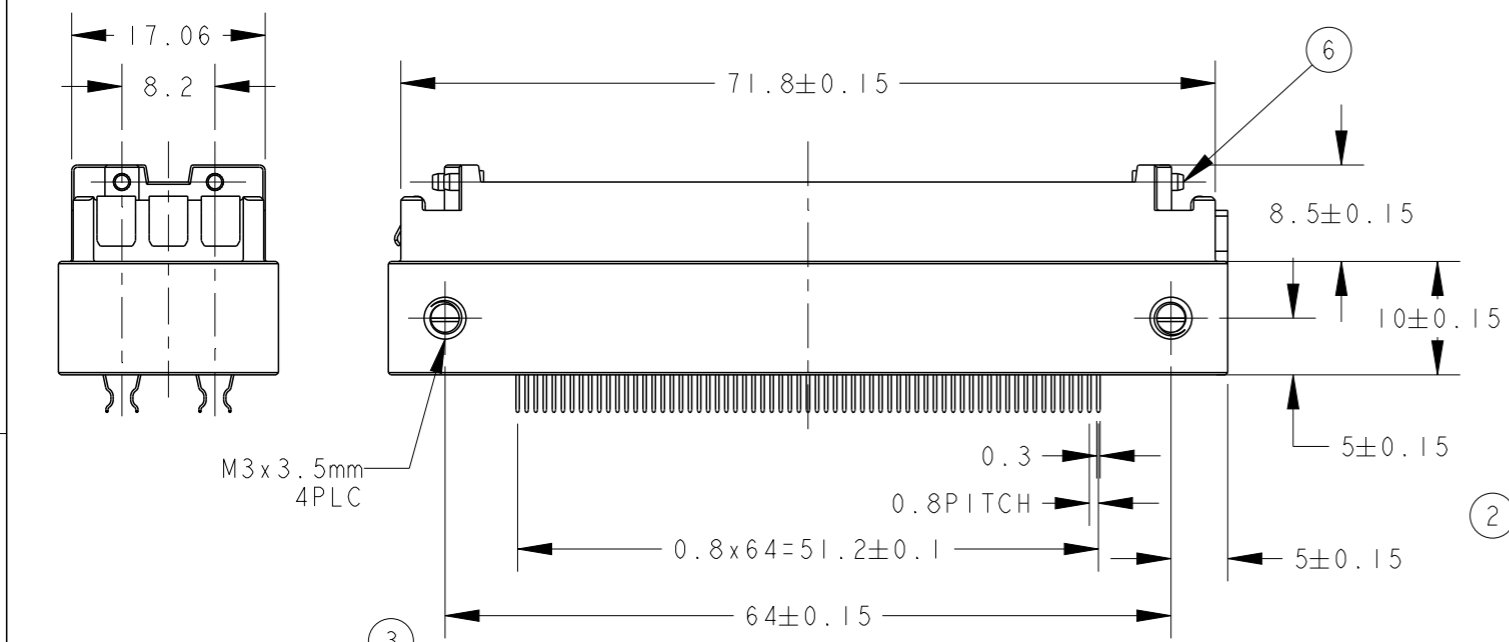


SCALE 1:1

- ① MATING AREA
0.001mm MIN GOLD
OVER 0.0025mm MIN NICKEL
SOLDERING AREA
GOLD FLASH
OVER 0.00127mm MIN NICKEL
OTHERS
0.00127mm MIN NICKEL
- ② SHILED FINGER THICKNESS
0.25mm
- ③ SHILED FINGER THICKNESS
0.20mm

4. PIN ASSIGNMENTS AS A REFERENCE

ROHS COMPLIANT



SCALE 4:1

QTY	FINISH	MATERIAL	NAME	ITEM NO
2	Ni PLT.	STAINLESS STEEL	③ SHIELD FINGER	9
-	Ni PLT.	STAINLESS STEEL	② SHIELD FINGER	8
-	Ni PLT.	STAINLESS STEEL	② SHIELD FINGER	7
4	Ni PLT.	STAINLESS STEEL	PIN FOR HOOK	6
2	ZINC PLATING	STEEL	M2.5 CAP SCREW	5
(260)	①	COPPER ALLOY	CONTACT	4
2	-	LCP	COVER HOUSING	3
4	-	LCP	INSERT MOLD, CONTACT	2
1	Ni PLT 0.0025~0.005mm	ZINC DIECAST	BASE HOUSING	1

THIS DRAWING IS A CONTROLLED DOCUMENT.

DWN T.Kanno 5MAR2007
CHK M.Kimura 5MAR2007
APVD M.Kimura 5MAR2007

PRODUCT SPEC 108-5771
APPLICATION SPEC 114-5505

WEIGHT 68.5g

CUSTOMER DRAWING

SCALE 1:1

SHEET 1 OF 1

REV CI

TE Connectivity

HDR ASSEMBLY
TC-ZIF CONN
0.8mm PITCH 260P

SIZE A3 CAGE CODE C-6565199