

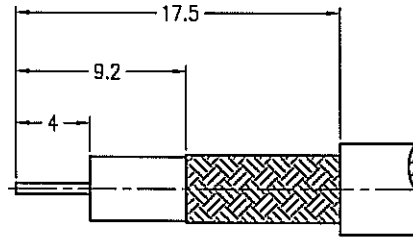
NOTES:

1. MATERIALS AND FINISHES
 BODY - BRASS, NICKEL PLATING
 CONTACT - PHOSPHOR BRONZE, GOLD PLATING
 INSULATOR - PTFE
2. ELECTRICAL:
 A. IMPEDANCE: 50 OHM
 B. FREQUENCY RANGE: DC 0-6 GHz
 C. DIELECTRIC WITHSTANDING VOLTAGE: 1000 VRMS, MIN.
3. MECHANICAL:
 A. DURABILITY: 500 CYCLES MIN.
 B. TEMPERATURE RANGE: - 65°C to +165°C
4. CRIMPED FERRULE
 HEX CRIMP SIZE .256"
5. CRIMPED CONTACT PIN
 HEX CRIMP SIZE .068"

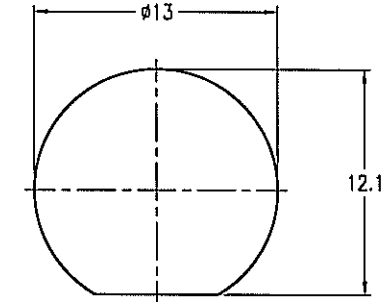
THIRD ANGLE PROJ.

REVISIONS

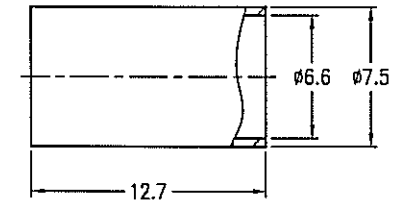
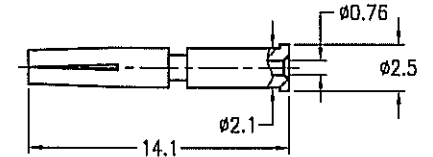
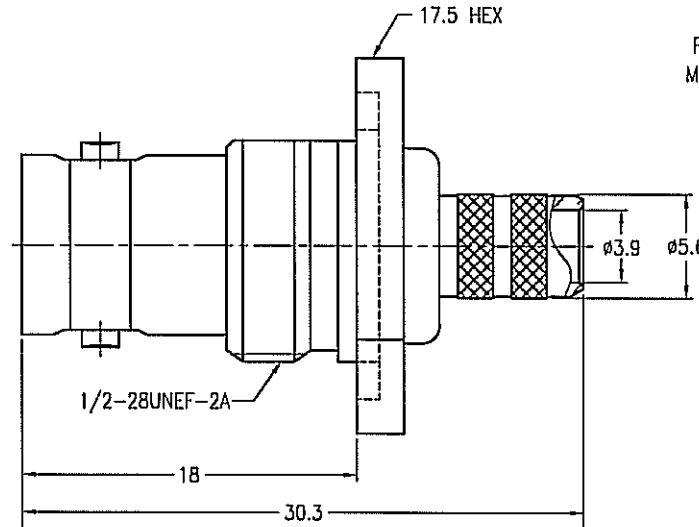
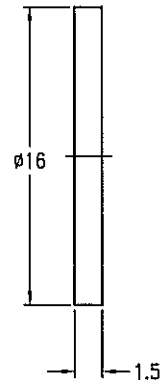
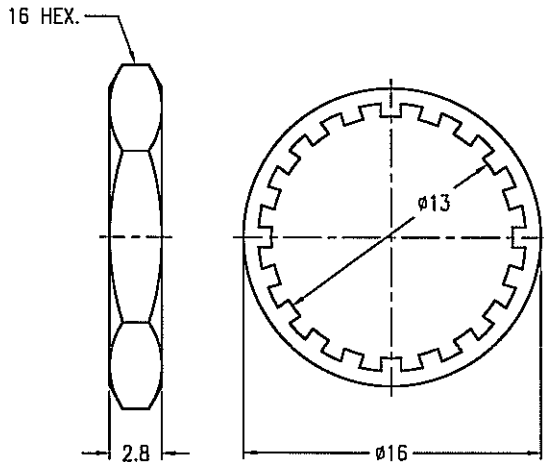
| REV | DESCRIPTION | DATE | ECO | APPR |
|-----|--------------------------|-----------|-------|---------|
| A | RELEASE TO MFG. | 20-Mar-08 | -- | JOHNSON |
| B | REDRAWN TO UPDATE FORMAT | 28-Jul-28 | 47078 | SHE |



RECOMMENDED
CABLE STRIPPING DIM'S



RECOMMENDED
MOUNTING HOLE



CUSTOMER OUTLINE DRAWING

ALL OTHER SHEETS ARE FOR INTERNAL USE ONLY

UNLESS OTHERWISE SPECIFIED, DIMENSIONS ARE IN METRIC AND TOLERANCES ARE:
 0.5 - 6mm ±0.1mm 6 - 30mm ±0.2mm 30 - 120mm ± 0.3mm ANGLES ±1°

NOTICE - These drawings, specifications, or other data (1) are, and remain the property of Amphenol Corp. (2) must be returned upon request; and (3) are confidential and not to be disclosed to any person other than those to whom they are given by Amphenol Corp. The furnishing of these drawings, specifications, or other data by Amphenol Corp., or to any other person to anyone for any purpose is not to be regarded by implication or otherwise in any manner licensing, granting rights or permitting such holder or any other person to manufacture, use or sell any product, process or design, patented or otherwise, that may in any way be related to or disclosed by said drawings, specifications, or other data.

| | | | | | | |
|-----------|----------|---------------------------------|-------------------------|---------|-----|--|
| MATERIAL | DRAWN | DATE | TITLE | | | Amphenol RF Danbury CT USA, Tainan Taiwan, Shenzhen China www.amphenolrf.com |
| | KERRY | 31-May-00 | BNC BULKHEAD CRIMP JACK | | | |
| REFERENCE | ENGINEER | DATE | SCALE: 2.5/1 | | | DRAWING NO. B6421A1-NT3G-59U-50 |
| | ROBIN | 31-May-00 | SHEET 2 OF 2 | | | ITEM NO. 016421AAK59NA5F |
| FINISH | APPROVED | DATE | DWG SIZE | CODE ID | REV | PART NO. 031-5936-RFX |
| | JOHNSON | 31-May-00 | B | 74868 | B | |
| | CAD FILE | F:\DWG\B\6421A1\59U-50\NT3G-BSZ | | | | |