



AUDIO
TECHNOLOGIES®

1/4" PHONE JACKS

TINY JACK SERIES - HORIZONTAL PCB MOUNT

Mono or stereo, horizontal PCB mounted phone jacks with switched contacts and a plastic body for audio and control.

Mounting Hardware: IO-TJ-N (NUT)
IO-TJ-W (WASHER)



IO-TJ4HH

IO-TJ6HH

SPECIFICATIONS

PRODUCT

Gender: **Female**

Contacts: **4 (IO-TJ4HH) or 6 (IO-TJ6HH)**

ELECTRICAL

Contact Resistance: **< 30 mΩ**

Insulation Resistance: **≥ 100 MΩ**

Dielectric Strength: **500VAC @ 60s**

Current Rating: **1 A / 30 V DC**

Switching Contacts (N.C.): **2 (IO-TJ4HH), 3 (IO-TJ6HH)**

ENVIRONMENTAL

Standard Compliance: **IEC 60603-11**

UL Flammability: **UL94 V-0**

Temperature Range: **-25°C ~ +70°C (-13°F ~ +158°F)**

MECHANICAL

Insertion Force: **5-30 N**

Lifetime: **> 5000 Mating Cycles**

Wiring: **Horizontal PCB Mount**

Mounting Direction: **Rear**

Solderability: **Complies with IEC 60068-2-20**

MATERIAL

Contacts: **Brass**

Contact Plating: **.3 μm Ag**

Shell: **PA66**

Shell Finish: **Black**

Nut/Washer: **PBT**

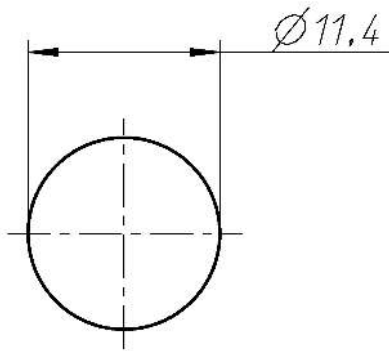
Nut Washer Finish: **Black**

Product specifications may change without prior notification

Io Audio Technologies® is a registered trademark of Knight Electronics, Inc.
10557 Metric Dr. Dallas, TX 75243 | 214-340-0265 | 800-323-2439 | Fax: 214-340-5870 |
www.ioaudiotechnologies.com



Panel Cutout



FEATURES & APPLICATIONS

The Tiny Jack (TJ) Series of ¼" phone jacks features a slim design with a high packing density. It features black, plastic housing with a fully threaded nose. The TJ Series provides a Normally Closed switch design which makes them a perfect solution for design-in applications where the termination method is to a printed circuit board. The compact form factor of these connectors makes them perfect for situations where space saving is a priority or space for a connector is limited. Fits a 11.4mm chassis cutout. Available in Mono-Switched (IO-TJ4HH) and Stereo-Switched (IO-TJ6HH) options for horizontal PCB mounting.

Also available with a full threaded nose (IO-TJ4HF & IO-TJ6HF).

PART NUMBER BREAKDOWN:

IO-TJ6HH
Series Identifier

IO-TJ6HH
Number of Pins

IO-TJ6HH
H = Horizontal PCB Mount

IO-TJ6HH
H = Half Threaded Nose
F - Full Threaded Nose

STANDARDS & CLASSIFICATIONS



Product specifications may change without prior notification