

# XS212SAPAL5

Inductive proximity sensors XS, inductive sensor XS2 M12, L55mm, stainless, Sn7mm, 12...24 VDC, cable 5 m



## Main

|                                    |   |
|------------------------------------|---|
| Range of Product                   | Telemecanique Inductive proximity sensors XS                                    |
| Series name                        | Application   |
| Sensor Type                        | Inductive proximity sensor  |
| Device Application                 | Food and beverage   |
| Market Segment                     | Pharmaceutical  |
| Sensor name                        | XS2   |
| Sensor design                      | Cylindrical M12   |
| Size                               | 55 mm   |
| Body type                          | Fixed   |
| Detector flush mounting acceptance | Non flush mountable   |
| Material                           | Stainless steel   |
| Type of output signal              | Discrete  |
| Wiring Technique                   | 3-wire  |
| [Sn] nominal sensing distance      | 0.28 in (7 mm)  |
| Discrete output function           | 1 NO  |
| Output circuit type                | DC  |
| Discrete output type               | PNP   |
| Electrical connection              | Cable   |
| Cable length                       | 16.40 ft (5 m)  |
| [Us] rated supply voltage          | 12...24 V DC reverse polarity protection  |
| Switching capacity in mA           | <= 200 mA overload and short-circuit protection                                 |
| IP degree of protection            | IP68 double insulation conforming to IEC 60529<br>IP69K conforming to DIN 40050 |

## Complementary

|                          |                               |
|--------------------------|-------------------------------|
| Thread type              | M12 x 1                       |
| Detection face           | Frontal                       |
| Front material           | PPS                           |
| Enclosure Material       | Stainless steel 316 L         |
| Sensing range            | > 0.16...0.31 in (> 4...8 mm) |
| Operating zone           | 0.00...0.22 in (0...5.6 mm)   |
| Differential travel      | 1...15% of Sr                 |
| Cable composition        | 3 x 0.34 mm <sup>2</sup>      |
| Wire insulation material | PVC                           |
| Status LED               | Output state 1 LED yellow)    |
| Supply voltage limits    | 10...36 V DC                  |
| Switching frequency      | <= 2500 Hz                    |
| Maximum voltage drop     | <2 V closed)                  |
| Current consumption      | <= 10 mA no-load              |
| Maximum delay first up   | 10 ms                         |
| Maximum delay response   | 0.2 ms                        |
| Maximum delay recovery   | 0.2 ms                        |

|                 |                        |
|-----------------|------------------------|
| Marking         | CE                     |
| Threaded length | 1.50 in (38 mm)        |
| Length          | 2.17 in (55 mm)        |
| Net Weight      | 0.43 lb(US) (0.195 kg) |

## Environment

|                                       |   |
|---------------------------------------|---|
| Product Certifications                | UL<br>CSA                               |
| Ambient Air Temperature for Operation | -13...185 °F (-25...85 °C)              |
| Ambient Air Temperature for Storage   | -40...185 °F (-40...85 °C)              |
| Vibration resistance                  | 25 gn +/- 2 mm 10...55 Hz)IEC 60068-2-6 |
| Shock resistance                      | 50 gn 11 ms IEC 60068-2-27              |

## Ordering and shipping details

|                       |                          |
|-----------------------|--------------------------|
| Category              | 22486-SENSORS, PROXIMITY |
| Discount Schedule     | DS2                      |
| GTIN                  | 3389119113113            |
| Nbr. of units in pkg. | 1                        |
| Package weight(Lbs)   | 0.37 lb(US) (0.17 kg)    |
| Returnability         | No                       |
| Country of origin     | FR                       |

## Packing Units

|                  |          |
|------------------|----------|
| Package 1 Height | 0.012 dm |
| Package 1 width  | 0.012 dm |
| Package 1 Length | 0.550 dm |

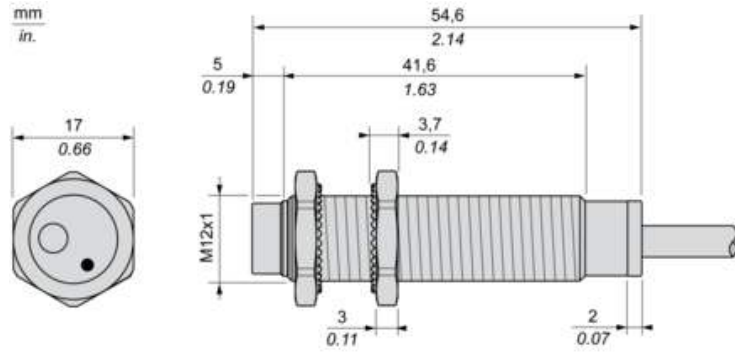
## Offer Sustainability

|                            |   |
|----------------------------|---|
| Sustainable offer status   | Green Premium product   |
| California proposition 65  | WARNING: This product can expose you to chemicals including: Diisononyl phthalate (DINP), which is known to the State of California to cause cancer, and Di-isodecyl phthalate (DIDP), which is known to the State of California to cause birth defects or other reproductive harm. For more information go to <a href="http://www.P65Warnings.ca.gov">www.P65Warnings.ca.gov</a> |
| REACH Regulation           | <a href="#">REACH Declaration</a>   |
| EU RoHS Directive          | Pro-active compliance (Product out of EU RoHS legal scope) <a href="#">EU RoHS Declaration</a>  |
| Mercury free               | Yes   |
| RoHS exemption information | <a href="#">Yes</a>   |
| Environmental Disclosure   | <a href="#">Product Environmental Profile</a>   |
| Circularity Profile        | <a href="#">End Of Life Information</a>   |

## Contractual warranty

|          |           |
|----------|-----------|
| Warranty | 18 months |
|----------|-----------|

Dimensions



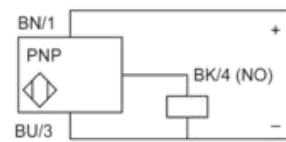


---

## Wiring Schemes

---

PNP



BU : Blue

BN : Brown

BK : Black