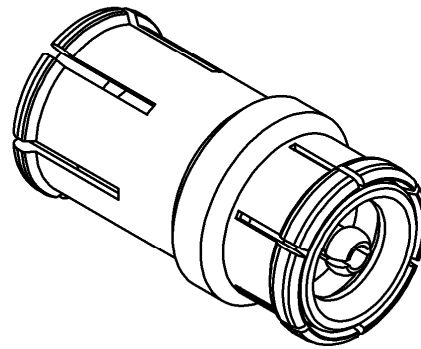
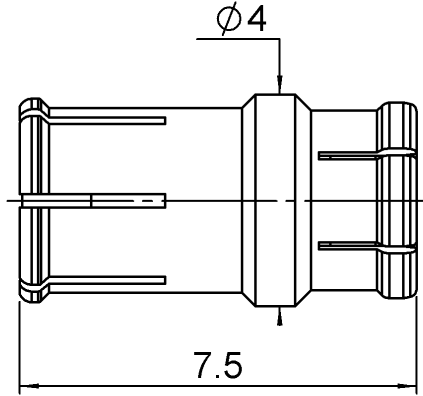


**SMP-MAX FEMALE SLIDE-MMBX MALE SNAP TYPE  
STRAIGHT ADAPTER**

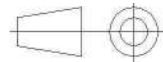
**R191.560.000**

Série : ADAPTER



 Scale: 1/1

All dimensions are in mm.



COMPONENTS	MATERIALS	PLATING ( $\mu\text{m}$ )
BODY	BERYLLIUM COPPER	NPGR
CENTER CONTACT	BERYLLIUM COPPER	NPGR
OUTER CONTACT		
INSULATOR	PTFE	
GASKET		
OTHERS PARTS		
-	-	-
-	-	-

Issue : 1045 A

In the effort to improve our products, we reserve the rights to make changes judged to be necessary.

**RADIAL** 

**SMP-MAX FEMALE SLIDE-MMBX MALE SNAP TYPE**

**R191.560.000**

**STRAIGHT ADAPTER**

Série : **ADAPTER**

**PACKAGING**

Standard	Unit	Other
<b>100</b>	<b>'W' option</b>	<b>Contact us</b>

**SPECIFICATION**

**ELECTRICAL CHARACTERISTICS**

Impedance	<b>50</b>	$\Omega$
Frequency	<b>0-6</b>	GHz
VSWR	<b>1.25*</b> + <b>0,0000</b>	x F(GHz) Maxi
Insertion loss	<b>0.15*</b>	$\sqrt{F}$ (GHz) dB Maxi
RF leakage	- ( <b>NA</b> )	- F(GHz)) dB Maxi
Voltage rating	<b>335</b>	Veff Maxi
Dielectric withstanding voltage	<b>500</b>	Veff mini
Insulation resistance	<b>1000</b>	M $\Omega$ mini

**ENVIRONMENTAL**

Operating	<b>-55/+155</b>	$^{\circ}$ C
Hermetic seal	<b>NA</b>	Atm.cm3/s
Panel leakage	<b>NA</b>	

**MECHANICAL CHARACTERISTICS**

Center contact retention		
Axial force – Mating end	<b>10</b>	N mini
Axial force – Opposite end	<b>10</b>	N mini
Torque	<b>NA</b>	N.cm mini
Recommended torque		
Mating	<b>SMP-MAX</b>	<b>0</b> N.cm
	<b>MMBX</b>	<b>0</b> N.cm
		<b>0</b> N.cm
Panel nut	<b>NA</b>	N.cm
Mating life	<b>100</b>	Cycles mini
Weight	<b>0,2170</b>	g

**OTHER CHARACTERISTICS**

- \*VSWR: up to 3GHz; 3-6GHz, 1.35max
- \*Coaxial Transmission Line Only
- \*Slide type receptacle+Bullet+Snap type receptacle
- Radial misalignment tolerance: 3 $^{\circ}$ min
- Axial misalignment tolerance : 2mm
- Power handling (typical) : >150W@3GHz,25 $^{\circ}$ C

Issue : **1045** A

In the effort to improve our products, we reserve the rights to make changes judged to be necessary.



PRELIMINARY