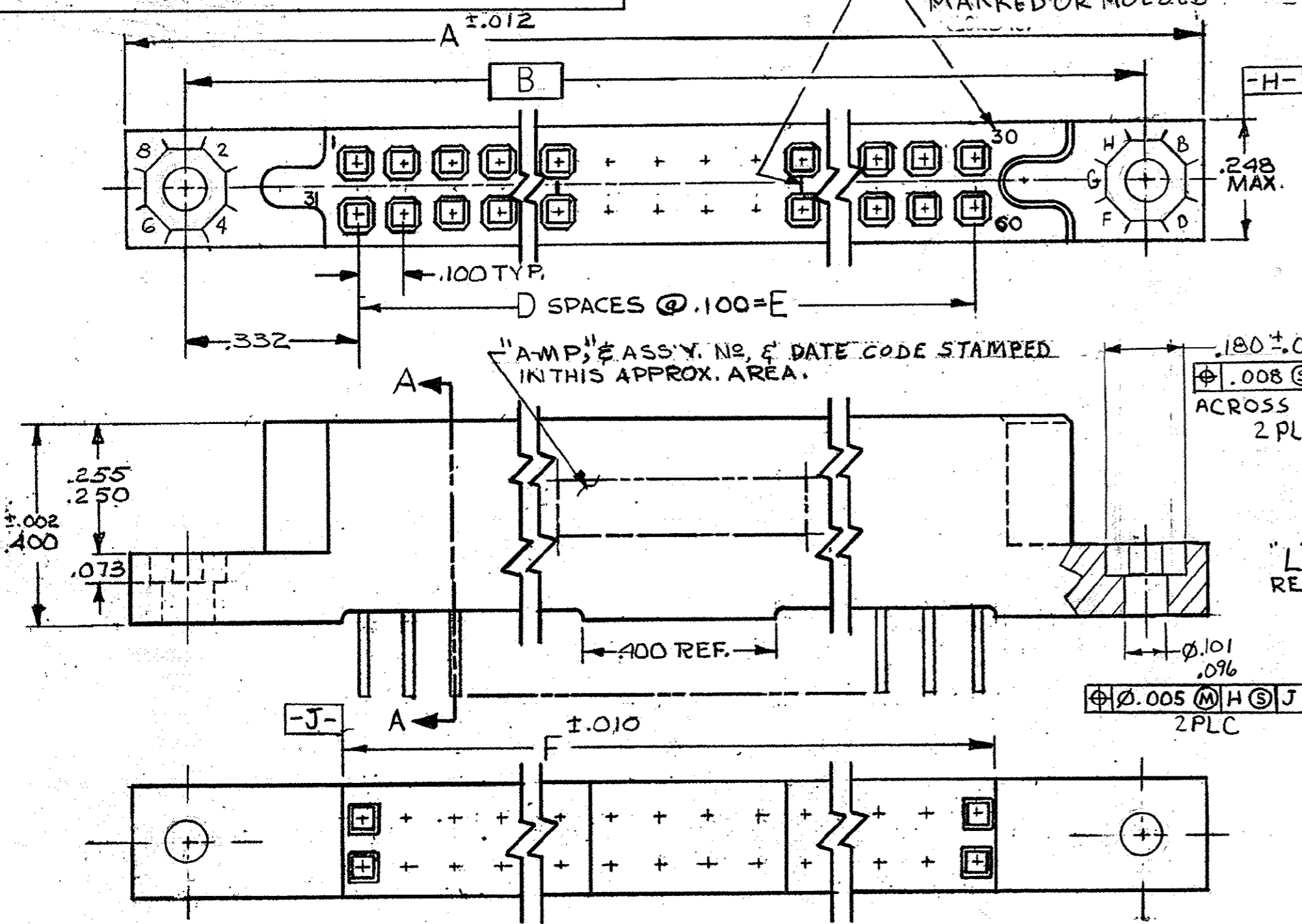


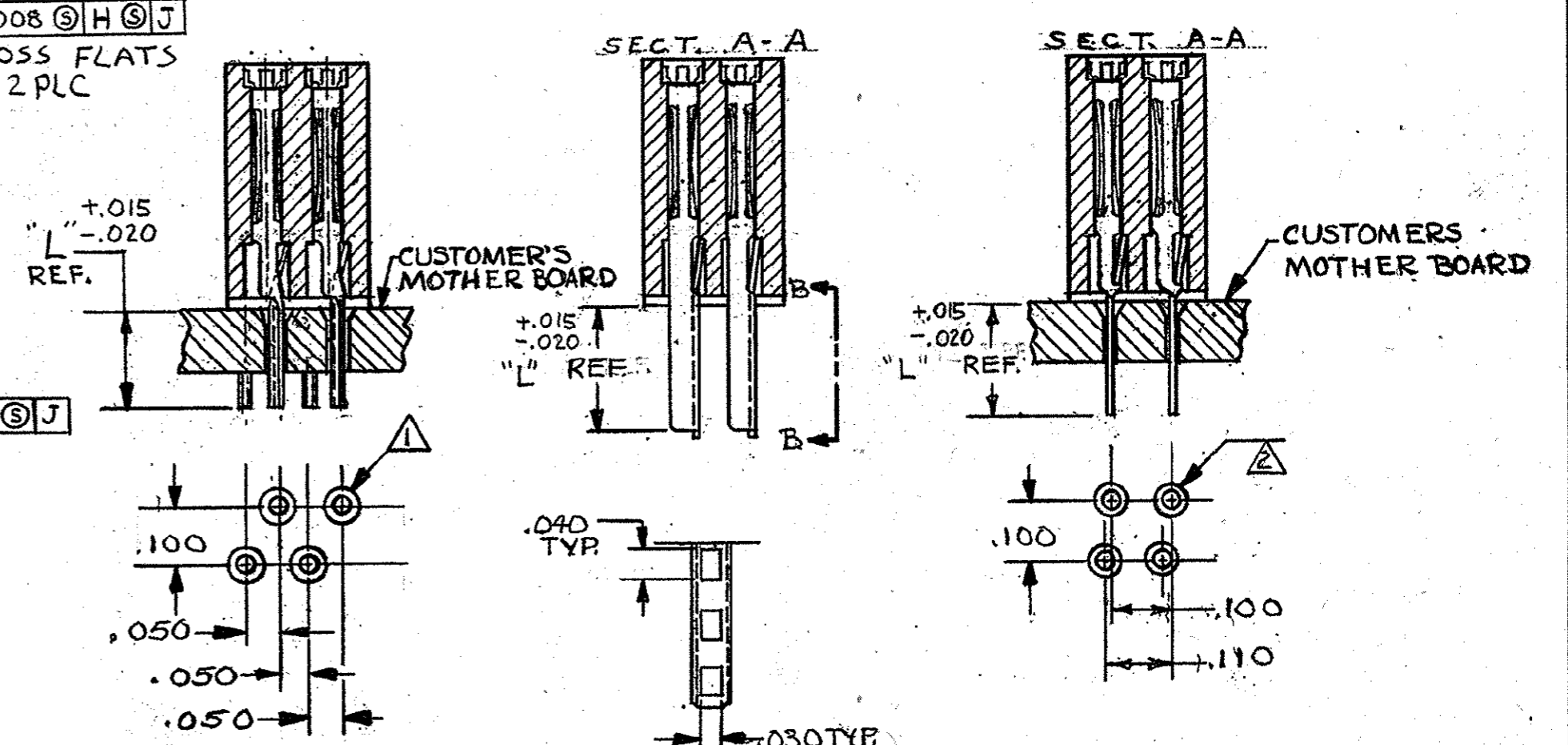
© COPYRIGHT 19 BY AMP INCORPORATED, HARRISBURG, PA. ALL INTERNATIONAL RIGHTS RESERVED. AMP INCORPORATED PRODUCTS COVERED BY U. S. AND FOREIGN PATENTS AND/OR PATENTS PENDING.

NO. (SEE CHART) AND LINES INDICATING EVERY 5 CAVITIES MARKED OR MOLDED

REVISIONS					
P	F	ZONE	LTR	DESCRIPTION	DATE APPROVED
B1				B1 REDRAWN W/O CHANGE 7271	3-81
				B2 REV PER ECN AB-0715	2-85
				B3 REV PER ECN AB-0535	db 3-13-85
				C REV PER DF-0089 DF-0117	11-88
				D REV PER DF-1545	N.F. 4-26-89
				E REV PER 0600-4173-95 7A	1/97
				F REV PER 0600-5631-96 π	8-98
				G REV PER 0600-5859-96 π	9-98
				H REV PER 0600-6467-97 π	10-98
				J REV PER ECO-05-013228	11-05



SECT. A-A



PART NO.	TYPE	NO. POS.	A	B	D	E	F	CAVITY IDENT. STAMPED	"L"	OBS
583584-1	I							25	.156	OBS
-2	II	50	3.355	3.065	24	2.400	2.475	26	.220	OBS
-3	III							50	.185	OBS
-4	I							30	.156	
-5	II	60	3.855	3.565	29	2.900	2.975	31	.220	OBS
-6	III							60	.185	OBS
-7	I							40	.156	OBS
-8	II	80	4.855	4.565	39	3.900	3.975	41	.220	OBS
-9	III							80	.185	
-10	I							45	.156	OBS
-11	II	90	5.355	5.065	44	4.400	4.475	46	.220	OBS
-12	III							90	.185	OBS
-13	I							50	.156	
-14	II	100	5.855	5.565	49	4.900	4.975	51	.220	OBS
-15	III							100	.185	OBS
-16	I							55	.156	OBS
-17	II	110	6.355	6.065	54	5.400	5.475	56	.220	OBS
-18	III							110	.185	OBS
-19	I	30	2.355	2.065	14	1.400	1.475	16	.156	
-20	II	40	2.855	2.565	19	1.900	1.975	21	.156	OBS
-21	III	70	4.355	4.065	34	3.400	3.475	36	.156	
-22	I	60	3.855	3.565	29	2.900	2.975	31	.325	
-23	II	90	5.355	5.065	44	4.400	4.475	46	.325	OBS
-24	III	30	2.355	2.065	14	1.400	1.475	16	.220	
2583584-5	III	110	6.355	6.065	54	5.400	5.475	56	.325	

FLOW SOLDER CONTACT FOR P.C. BOARD TYPE I

VIEW B-B SOLDER OR WELD TYPE CONTACT TYPE II

SOLDER OR WRAIR TYPE CONTACT TYPE III

△ .022 MIN. DIA. HOLES IN MOTHER BOARD, 30° X .031 DEEP CHAMFER RECOMMENDED ON CONNECTOR SIDE OF BOARD.

△ .025 MIN. DIA. HOLES IN MOTHER BOARD 30° X .031 DEEP CHAMFER RECOMMENDED ON CONNECTOR SIDE OF BOARD.

△ FINISH: .000030 GOLD IN CONTACT AREA, .000100 TIN-LEAD ON TAILS, OVER .000030 NICKEL ENTIRE CONTACT

△ OBSOLETE PART NUMBER.

UNLESS OTHERWISE SPECIFIED DIMENSIONS ARE IN INCHES. TOLERANCES ON: DECIMALS ±.005 ANGLES ±.005	CONTRACT NO	AMP INCORPORATED Harrisburg, Pa.
MATERIAL HOUSING: DIALYL PHTHALATE CONTACT BeCu OR COPPER-NICKEL-SILICONE FINISH	DR <i>A.M. SHARPE</i> 3-12-81	NAME RECPT. ASSY, 1000 SERIES BOX, WITH MOUNTING HOLES, FLOW SOLDER, SOLDER EYELETS, AND 10X20 POSTED CONTACTS
	CHK <i>Dr Bushey</i> 3-13-81	SIZE CODE IDENT NO DRAWING NO
	APPD <i>R.W. Dunbar</i> 3/13/81	C 00779 583584
	APPD <i>Elwood T. Parsons</i> 3-13-81	SCALE 4:1 SHEET 1 OF 2
	DSGN APPD	
	OTHER APPD	

583584

© COPYRIGHT 19 BY AMP INCORPORATED, HARRISBURG, PA.
ALL INTERNATIONAL RIGHTS RESERVED. AMP INCORPORATED PRODUCTS
COVERED BY U. S. AND FOREIGN PATENTS AND/OR PATENTS PENDING.

REVISIONS						
P	F	ZONE	LTR	DESCRIPTION	DATE	APPROVED
				[SEE SHEET 1]		

PART NO.	TYPE	NO POS.	A	B	D	E	F	L	CAVITY IDENT. STAMPED		
2-583584-6	III	30	2.355	2.065	14	1.400	1.475	.325	16	15 30	△
2- ↑ -7	III	100	5.855	5.565	49	4.900	4.975	.325	51	50 100	OBS
2- △ -8	III	110	6.355	6.065	54	5.400	5.475	.360	56	55 110	OBS
2- -9	II	70	4.355	4.065	34	3.400	3.475	.220	36	35 70	OBS
3- △ -0	II	40	2.855	2.565	19	1.900	1.975	.220	21	20 40	OBS
3- -1	III	40	2.855	2.565	19	1.900	1.975	.325	21	20 40	OBS
3- △ -2	III	50	3.355	3.065	24	2.400	2.475	.325	26	25 50	OBS
3- △ -3	III	70	4.355	4.065	34	3.400	3.475	.325	36	35 70	OBS
3- -4	III	80	4.855	4.565	39	3.900	3.975	.325	41	40 80	OBS
3- △ -5	I	110	6.355	6.065	54	5.400	5.475	.235	56	55 110	OBS
3- -6	I	60	3.855	3.565	29	2.900	2.975	.235	31	30 60	
3- -7	I	80	4.855	4.565	39	3.900	3.975	.235	41	40 80	
3- ↓ -8	I	30	2.355	2.065	14	1.400	1.475	.235	16	15 30	OBS
3-583584-9	I	70	4.355	4.065	34	3.400	3.475	.235	36	35 70	

UNLESS OTHERWISE SPECIFIED DIMENSIONS ARE IN INCHES. TOLERANCES ON: DECIMALS ± .005 ANGLES ±		CONTRACT NO 3-12-81	PART NO	
MATERIAL	DR	A.M. SHARPE	AMP AMP INCORPORATED Harrisburg, Pa. NAME RECPT. ASS'Y, 1000 SERIES BOX, WITH MOUNTING HOLES, FLOW SOLDER, SOLDER EYELETS, AND 10x20 POSTED CONTACTS	
	CHK	Dr. Bushey 3-13-81		
	APPD	Rodwin 3/13/81		
FINISH	APPD	Edward T. Parsons 3-13-81	SIZE	CODE IDENT NO
	DSGN APPD		C	00779
	OTHER APPD		DRAWING NO	583584
SCALE 4:1			SHEET 2 of 2	

583584