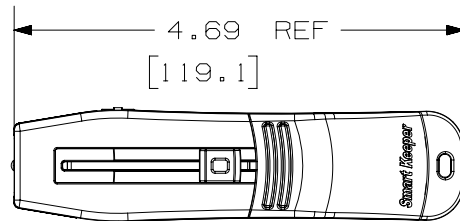
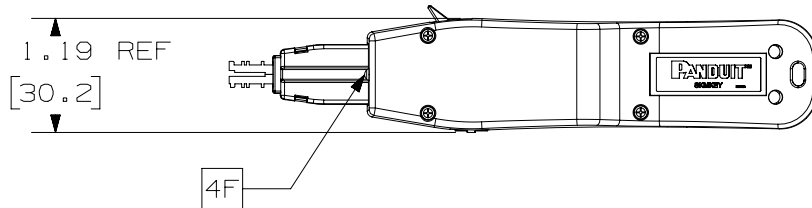
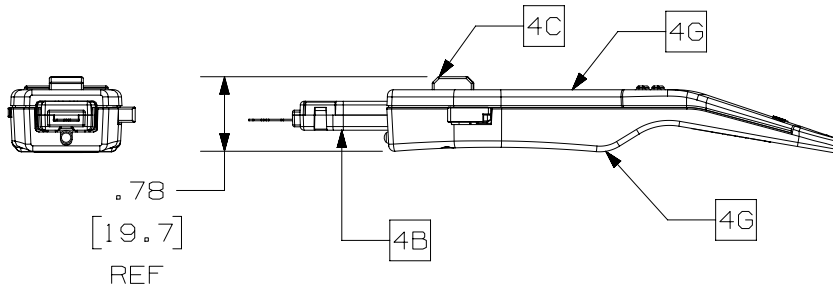
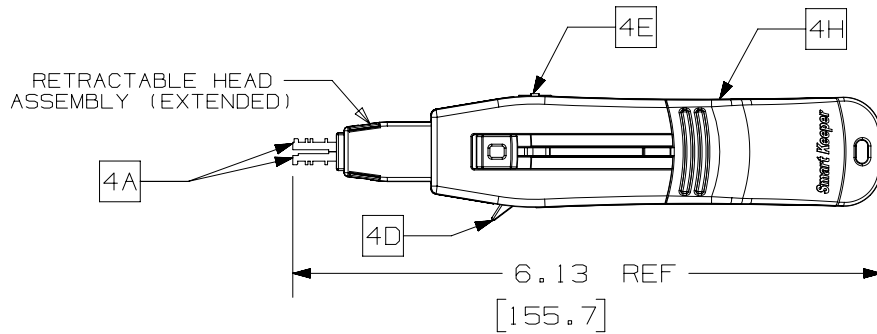
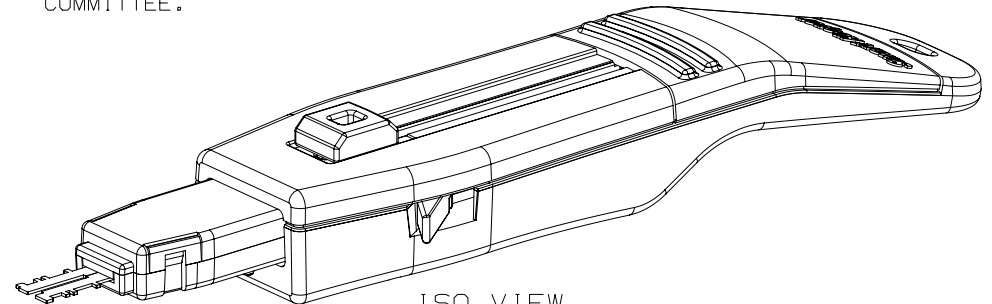


THIS COPY IS PROVIDED ON A RESTRICTED BASIS AND IS NOT TO BE USED IN ANY WAY DETRIMENTAL TO THE INTERESTS OF PANDUIT CORP.



VIEW SHOWING HEAD ASSEMBLY IN RETRACTED POSITION

- NOTES:
- VISIT OUR ON-LINE CATALOG AT [WWW.PANDUIT.COM](http://WWW.PANDUIT.COM) FOR A LIST OF CURRENT PARTS APPLICABLE USE WITH THIS PRODUCT.
  - PRODUCT IS USED TO REMOVE THE SMARTKEEPER BLOCKOUT DEVICES WITH UNIQUE AND CONFIDENTIAL FEMALE KEYED MOLDED IN FEATURES.
  - SEE INSTALLATION INSTRUCTION FOR PROPER USE OF PRODUCT.
  - PARTS INCLUDES (DESCRIPTION: MATERIAL/COLOR):
    - UNIQUE AND CONFIDENTIAL MALE KEYED BLADES: STAINLESS STEEL/NATURAL FINISH.
    - RETRACTABLE HEAD ASSEMBLY: POLYCARBONATE (PC)/COLOR: BLACK.
    - TOPSIDE BUTTON: POLYCARBONATE (PC)/COLOR: RED.
    - SIDE BUTTON: POLYCARBONATE (PC)/COLOR: RED.
    - LIGHT SWITCH: POLYCARBONATE (PC)/COLOR: RED.
    - LIGHT: POLYCARBONATE (PC)/COLOR: CLEAR.
    - MAIN BODY SHELLS: HIGH STRENGTH DIECAST METAL/COLOR: SILVER GREY.
    - ANTI-STATIC GRIP: NEOPRENE/COLOR: BLACK.
  - PRODUCT IS DESIGNED FOR INDOOR USE ONLY.
  - OPERATING TEMPERATURE AND HUMIDITY RANGE:
    - TEMPERATURE RANGE: -4°F (-20°C) TO +140°F (+60°C)
    - HUMIDITY RANGE: 10-70% NON-CONDENSING RELATIVE HUMIDITY.
  - STORAGE CONDITIONS:
    - TEMPERATURE RANGE: -4°F (-20°C) TO +140°F (+60°).
    - HUMIDITY RANGE: 10-80% NON-CONDENSING RELATIVE HUMIDITY.
  - WEIGHT: 0.14 LBS/ (1) PCS [64.6 grams/ (1) PCS].
  - DIMENSIONS IN [ ] ARE METRIC.
  - ALL MATERIALS AND COMPONENTS USED MEET THE MATERIALS RESTRICTIONS OF RoHS, (EUROPEAN DIRECTIVE 2011/65/EU ON THE RESTRICTION OF HAZARDOUS SUBSTANCES) AS PROPOSED BY THE RoHS TECHNICAL ADAPTATION COMMITTEE.



ISO VIEW  
1:1 SCALE

PART NUMBER		SKMKEY		
TITLE		SMARTKEEPER MASTER KEY		
ITEM REVISION NAME		CUSTOMER DRAWING		
DATASET FILE NAME		00402NAA/00		
MATERIAL		SEE NOTES		
DRAWING NUMBER		00402NAA-DC		
THIRD ANGLE PROJECTION				
DRAWN BY	DATE	CHK	SCALE	SIZE
MDJR	04-24-19	DCS	NONE	A
DESCRIPTION		SHEET 1 OF 1		

00A	04-24-19	MDJR	DCS	MMR	DRAWING RELEASED	00402NAA-DC
REV	DATE	BY	CHK	APR	DESCRIPTION	ECN

A-SIZE CUSTOMER