

10112684 - X XX-YY Z LF

L INDICATES THAT PRODUCT IS RoHS COMPATIBLE, SEE NOTE 3

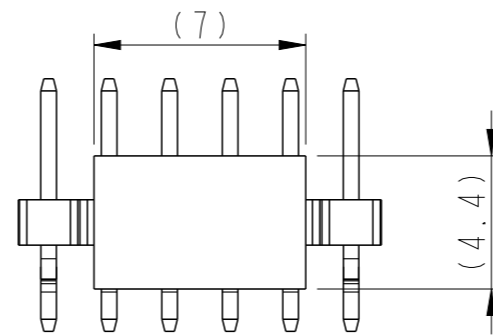
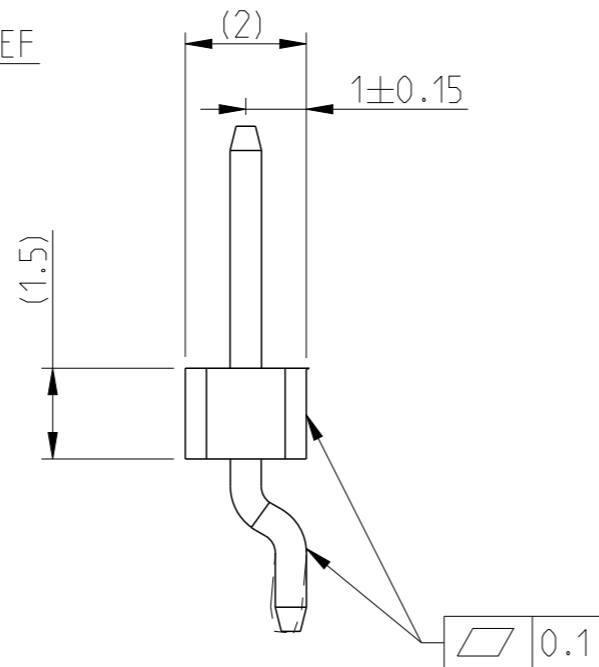
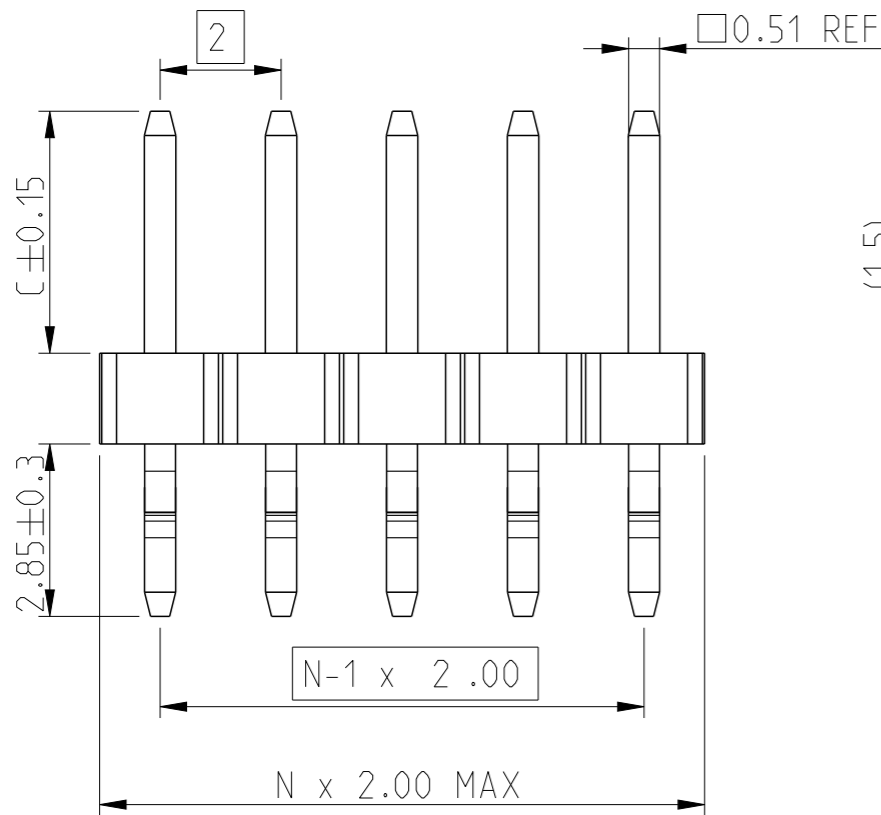
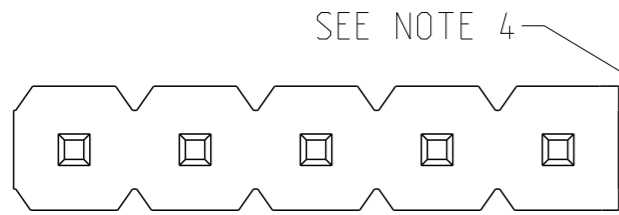
PACKAGING :
 A = Tape and reel with Pick-up cap.
 See GS-14-1516 As available
 U = Tube without Pick-up cap.
 Only for contacts qty from 4 to 25.
 See GS-14-1551
 Blank = Bli box for contacts qty 2 and 3
 See note 5

CONTACTS QTY : 02 to 25 = N

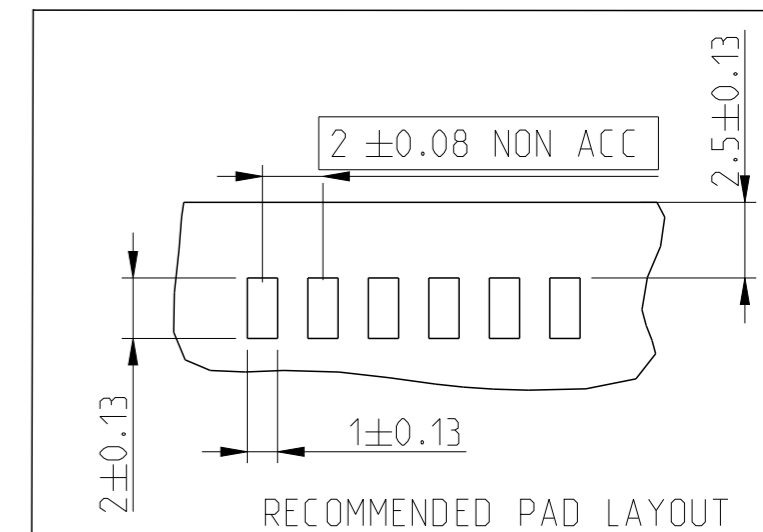
V = Customer special
 - = All global customers

STYLE	01	02	03	04	05
DIM C POST LENGTH	3.2	2.0	4.0	7.0	5.45

PLATING : G= 0.76µ Gold/GXT on mating area
 2-6µ Pure Tin on solder area
 F= Gold flash on mating area
 2-6µ pure Tin on solder area
 T= 2-6µ pure Tin on mating area
 2-6µ pure Tin on solder area
 All with 1.27 Ni underplating



VIEW WITH PICK-UP CAP
 SCALE 4:1



RECOMMENDED PAD LAYOUT

- NOTES :
- 1- MATERIALS :
 BODY : High Temp thermoplastic 30% GF, COLOR BLACK UL94 V-0
 PIN : COPPER ALLOY
 - 2- 7N MIN PIN RETENTION IN EITHER DIRECTION
 - 3- RoHS COMPATIBLE PRODUCT SPECIFICATION :
 a- PLATING : LF means the product is Lead Free,
 2µ MIN matte Tin over 1.27µ Nickel underplating.
 b- MANUFACTURING PRODUCT SPECIFICATION :
 Housing will withstand exposure to 260 °C peak temperature for 30 secondes in a convection infra-red or vapor phase oven.
 c- LABELLING :
 Meets packaging specs as per GS-14-920
 d- LEGAL STATMENT : See GS-47-0004
 - 4- ONE TIP OF BODY MIGHT BE WITHOUT INDENTS AS PER EXTREMITY OF MOLDED BODY.
 - 5- MINIMUM QUANTITY IN BLI BOX : 500

spec ref	GS-12-652	dr	Alexandre Parr	2014/02/28	projection	mm	size	A3	scale	8:1
tolerance std	ISO 406 ISO 1101	eng	Detouillon, Da	2023/03/06			ecn no	ELX-F-47699-1	rel level	Released
TOLERANCES UNLESS OTHERWISE SPECIFIED		chr	-	-						
surface	linear	0.X	±0.30		SIMPLE ROW	dwg no	10112684	rev	H	cat. no.
		0.XX	±0.13							
		0.XXX	±0.05							
ISO 1302	angular	0°	±/°	www.fci.com	Product - Customer Drw	sheet 1 of 1				