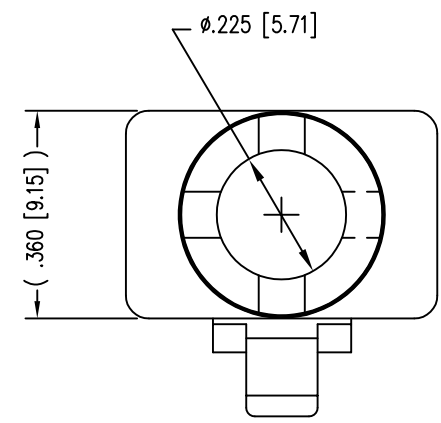
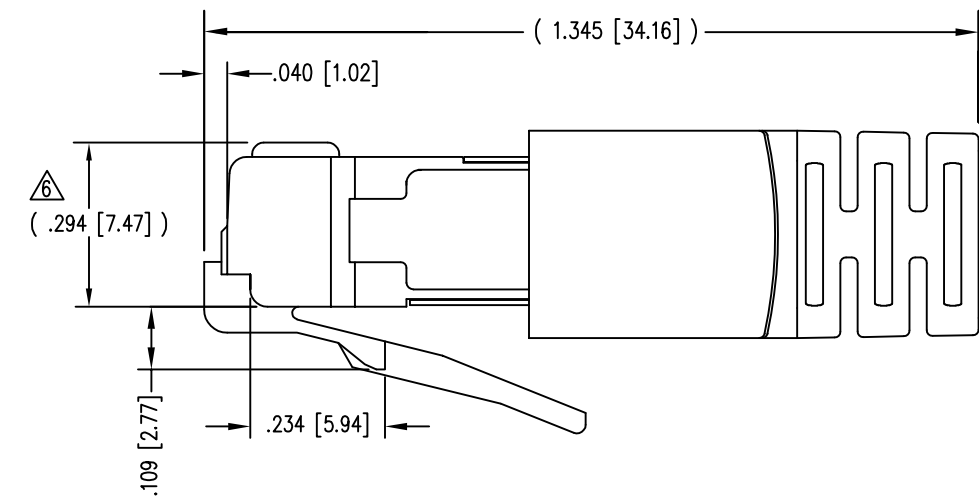
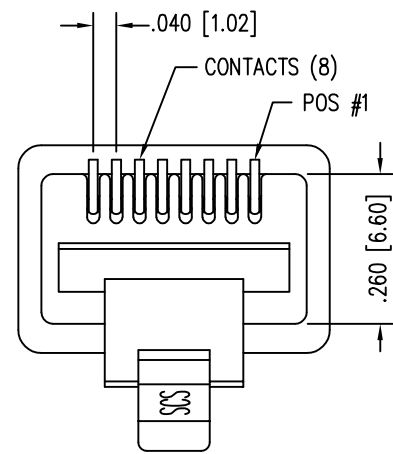
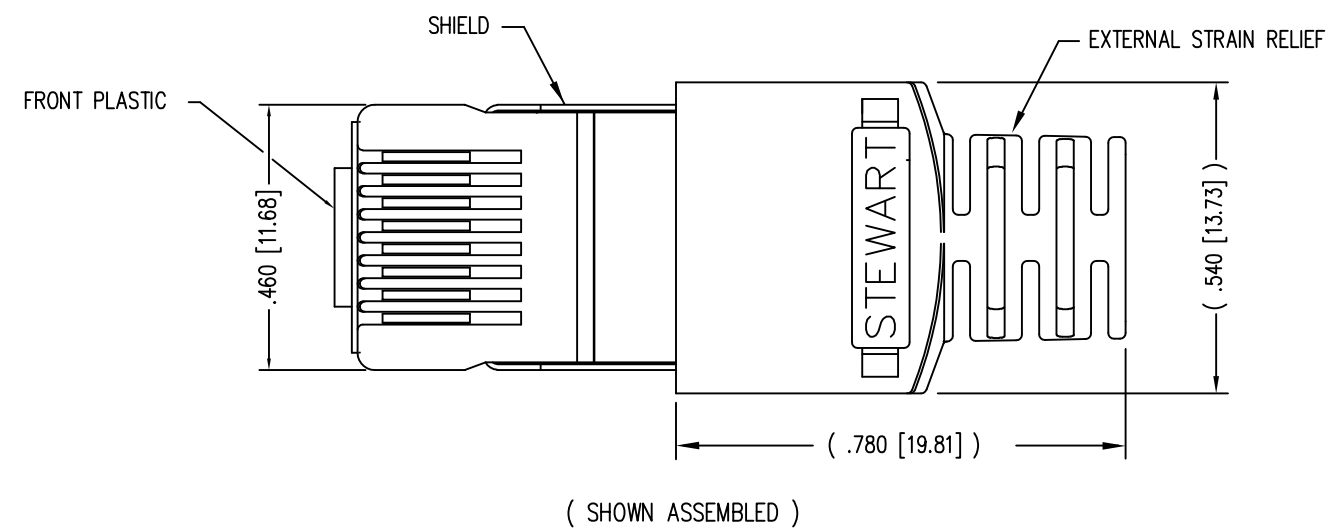
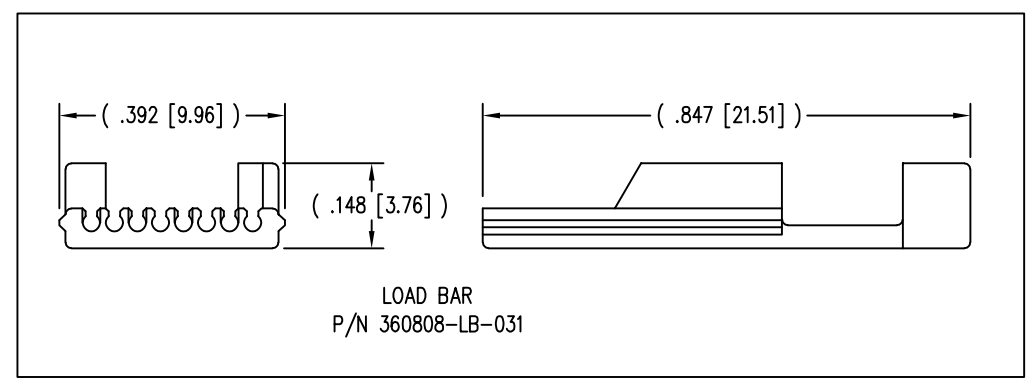
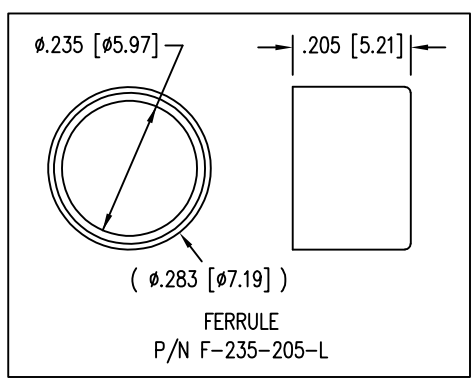


| DATE | REV | ECN | APP'D. BY |
|---------|-----|-------|-----------|
| 1-7-15 | B3 | 10173 | TRM |
| 3-16-16 | B4 | 10620 | TRM |
| 9-12-22 | B5 | 12040 | TRM |
| | | | |



- NOTES:
- 1- PLUG KIT CONSISTS OF :
PRE-INSERTED PLUG HOUSING & SHIELD
LOAD BAR
FERRULE
 - 2- MATERIALS :
FRONT HOUSING PLASTIC : CLEAR POLYCARBONATE, UL 94-V0
LOAD BAR : POLYCARBONATE, BLUE, UL 94-V0
SHIELD : TIN PLATED BRASS
CONTACTS : PHOSPHOR BRONZE, SELECTIVE GOLD PLATING
FERRULE : NICKEL OR TIN PLATED BRASS
 - 3- CONTACTS TERMINATE STRANDED CONDUCTORS UP TO .031 [0.79] OUTSIDE DIAMETER OF INSULATION.
 - 4- FOR PLUG SPECIFICATION SEE PR026-01.
 - 5- DIMENSIONS & TOLERANCES COMPLY WITH TIA-1096 STANDARD.
 - 6- TERMINATED PLUG HEIGHT: .237 [6.02] ±.005 [0.13] ON CABLE

| | | |
|---------|--------------------------------|------------------------|
| BULK | 50 MICRO-INCHES [1.27um] | 940-SP-360808-031-A221 |
| PACKAGE | CONTACT PLATING IN MATING AREA | PART NUMBER |



| | |
|--|--|
| THIRD ANGLE PROJECTION | 1118 Susquehanna Trail South Glen Rock, PA 17327-9199 (717) 235-7512 http://www.stewartconnector.com |
| DO NOT SCALE DRAWING DRAWING IS SUBJECT TO CHANGE WITHOUT NOTICE | |
| DIMENSIONS: INCHES [METRIC] | TITLE: 8 X 8 SHIELDED PLUG |
| UNLESS OTHERWISE SPECIFIED TOLERANCES ARE ±.005 [0.13] ANGLES ARE ± 1° | THIS DRAWING AND THE SUBJECT MATTER SHOWN THEREON ARE CONFIDENTIAL AND THE PROPRIETARY PROPERTY OF STEWART CONNECTOR AND SHALL NOT BE REPRODUCED, COPIED, OR USED IN ANY MANNER WITHOUT PRIOR WRITTEN CONSENT OF STEWART CONNECTOR. ONE OR MORE U.S. PATENTS MAY APPLY TO THIS PRODUCT. FOR DETAILS, PLEASE VISIT: HTTP://BELFUSE.COM/STEWART/STEWART_PATENTS/ |
| SHEET NO. 1 OF 1 | DRN BY: KRL DATE: 1/30/06 |
| | APPD BY: JM DATE: 1-31-06 |
| | DWG NO. CT360146 REV. B5 |