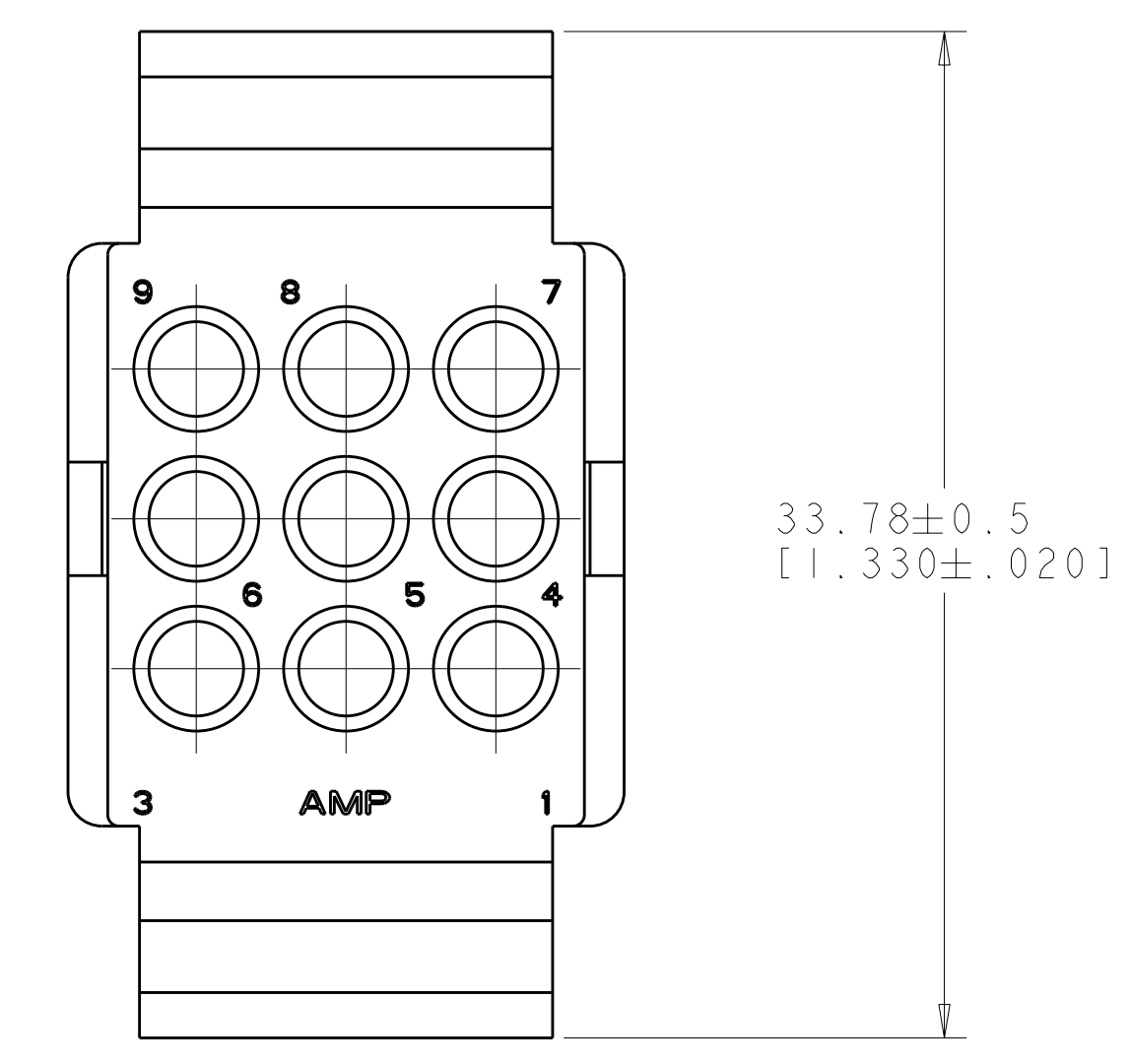
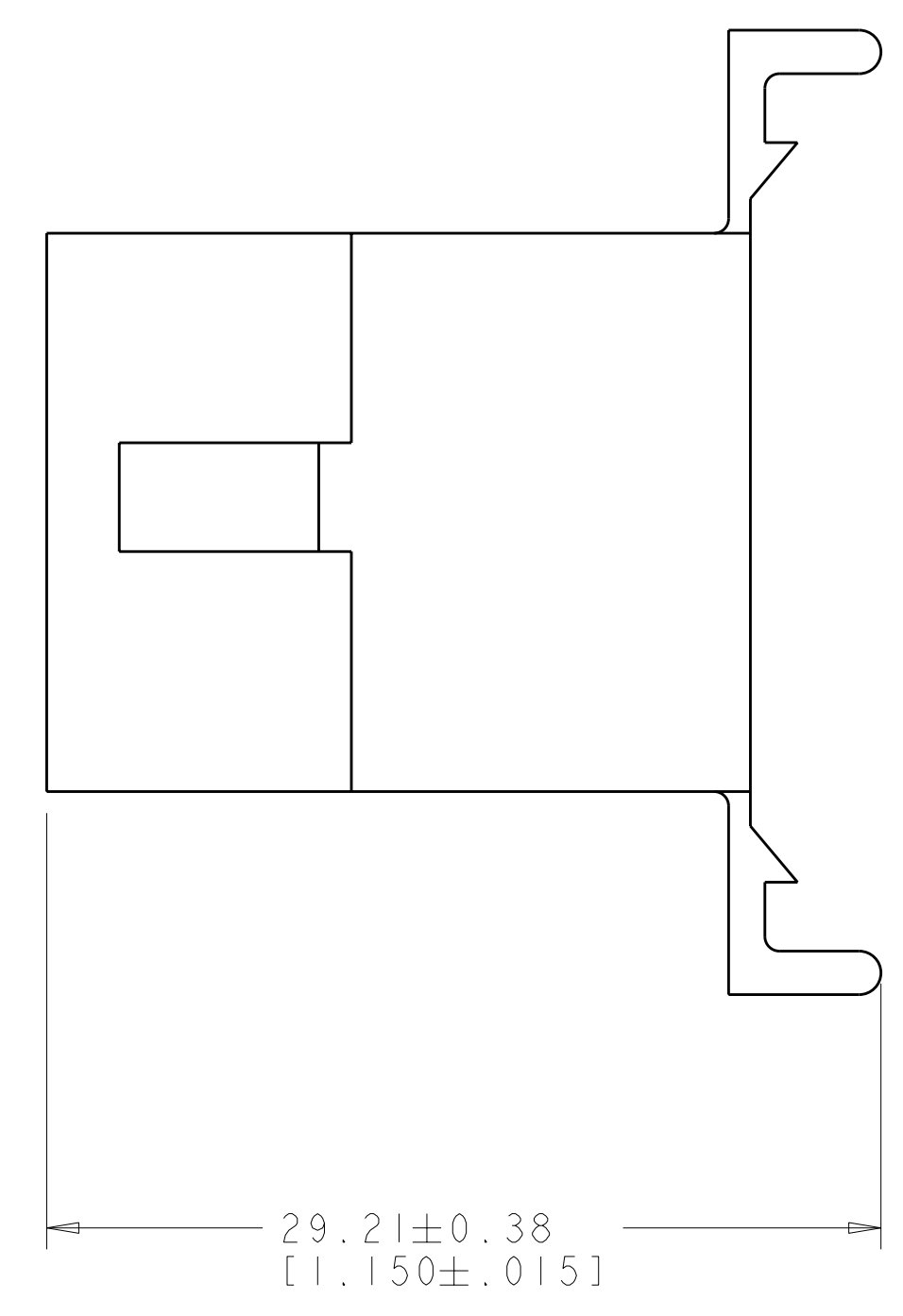
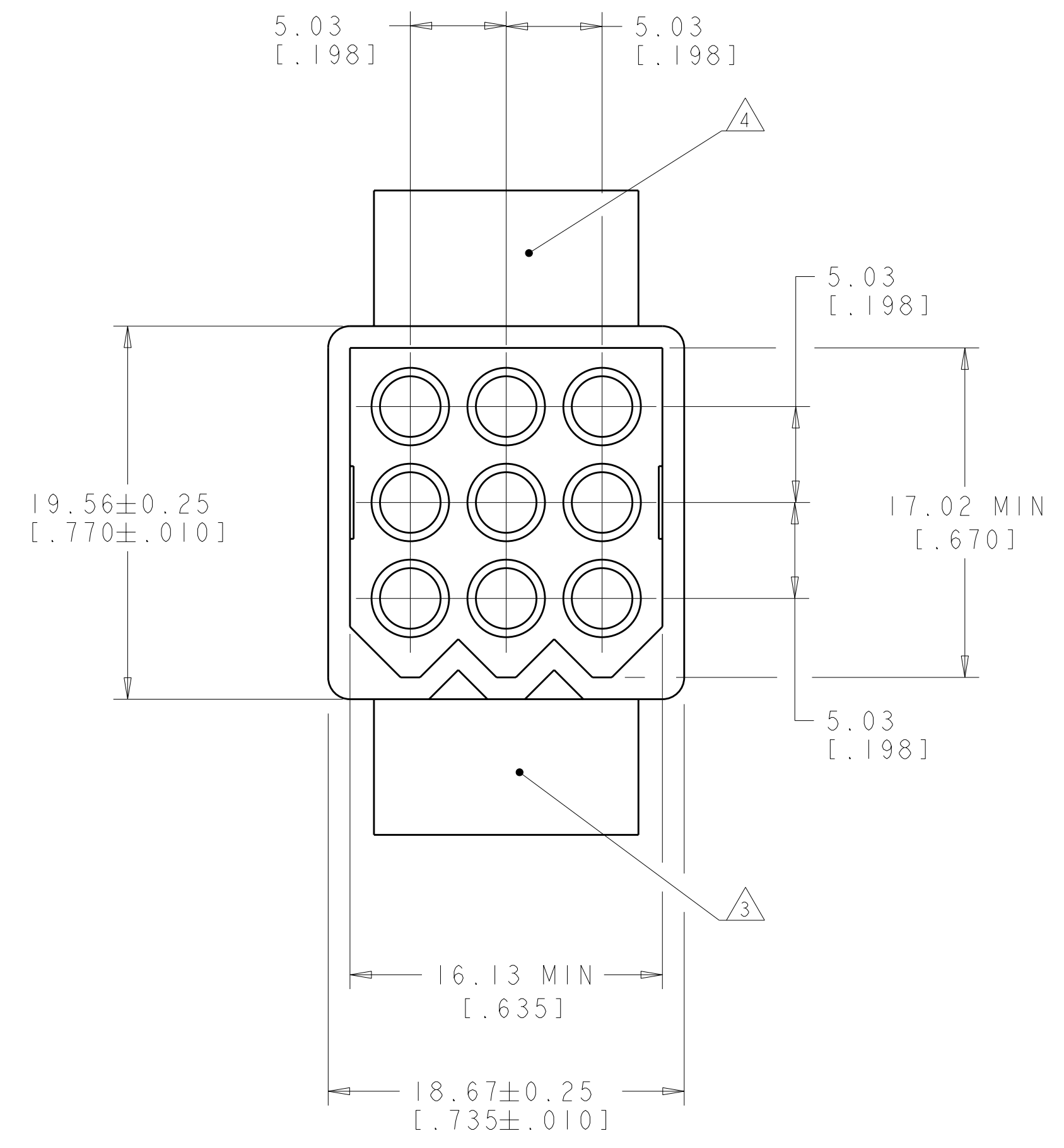
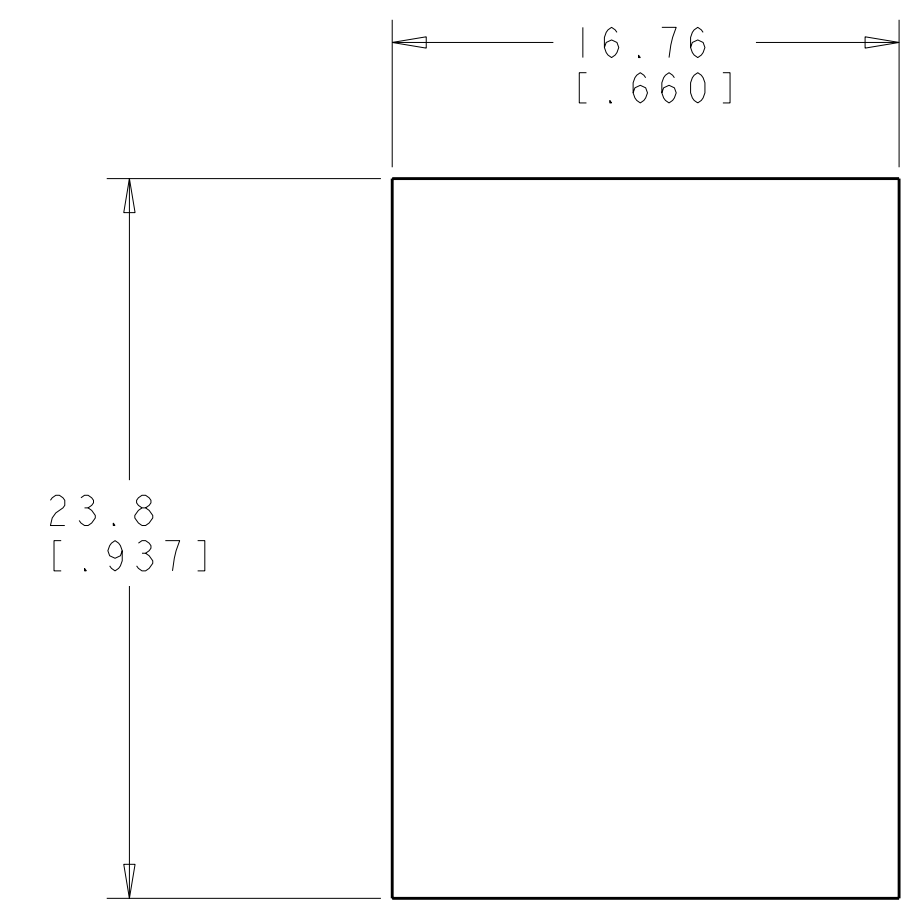
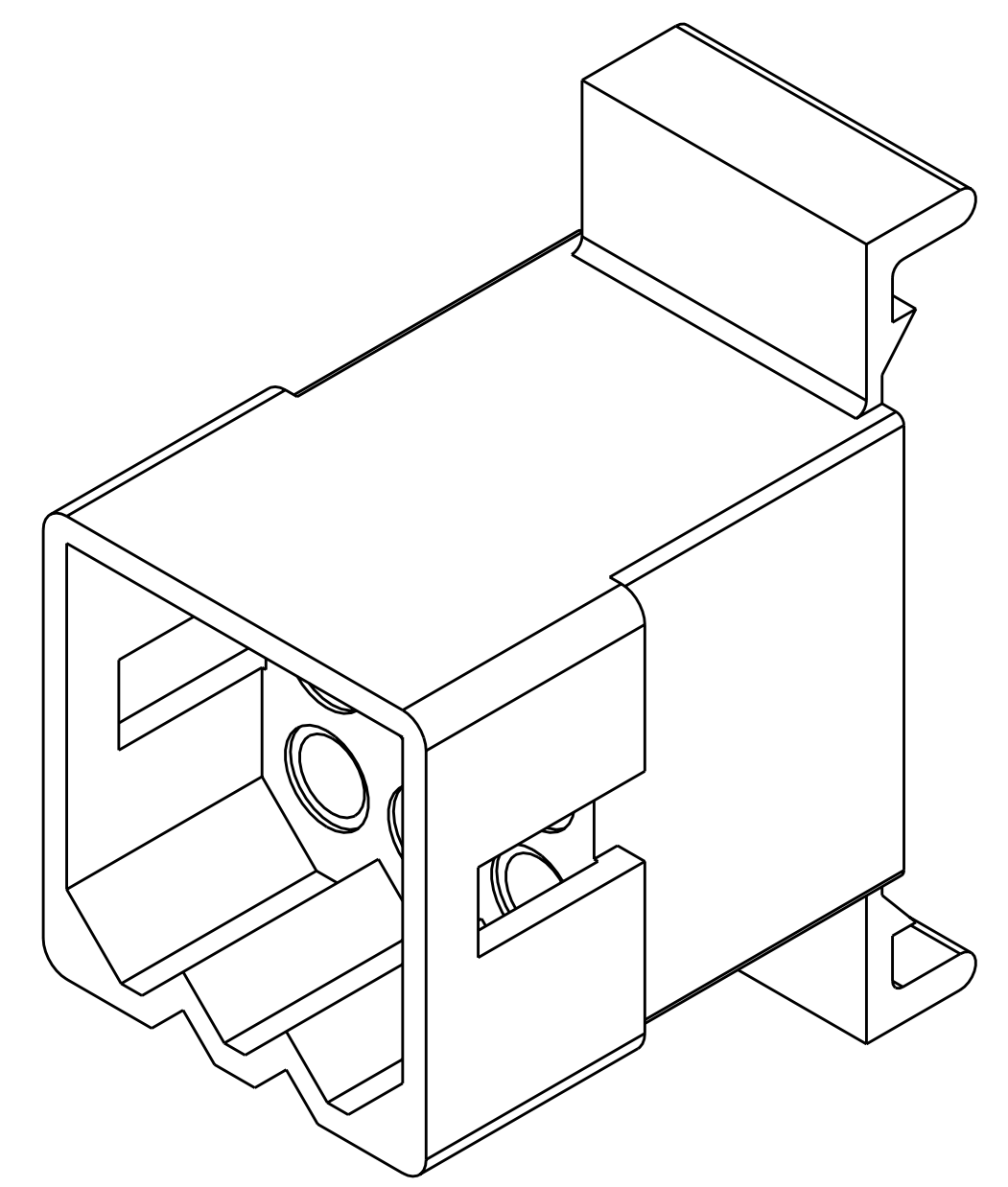


| LOC | DIST | REV | DATE | DWN | APVD |
|-----|------|-----|---------------|-----------|-------|
| CM | 00 | G | ECO-07-020239 | 28AUG2007 | KW CC |



- 1 MATERIAL: NYLON UL94V-2 (NATURAL).
- 2. RECOMMENDED PANEL THICKNESS 2.29 [.090].
- 3 UL LOGO LOCATED ON THIS SURFACE.
- 4 CSA LOGO LOCATED ON THIS SURFACE.



RECOMMENDED PANEL CUTOUT



| | |
|-----------------------|-------------|
| 0.261 IN ³ | 770095-1 |
| VOLUME | PART NUMBER |

| | | | |
|------------------------------------------------------------------------------------------------------------------------------------------------------------------------------------------------------------------------------------------|----------------------------------------------------------------------------------------------------------|-----------------------------------------------------------------------------------------------------------------------------------------------------|---------------------------------------------------------|
| <small>THIS DRAWING IS UNPUBLISHED. RELEASED FOR PUBLICATION BY TYCO ELECTRONICS CORPORATION. ALL RIGHTS RESERVED. THIS IS SUBJECT TO CHANGE WITHOUT NOTICE AND WITHOUT OBLIGATION. SHOULD BE CONTACTED FOR THE LATEST REVISION.</small> | | DWN: R. WHITAKER 28AUG2007 CHK: C. CASH 28AUG2007 APVD: C. CASH 28AUG2007 | Tyco Electronics Harrisburg, PA 17105-3608 |
| DIMENSIONS: mm [INCHES] | TOLERANCES UNLESS OTHERWISE SPECIFIED: 9 PLC ± 8 PLC ± 5 PLC ±0.13(.005) 4 PLC ± ANGLES ± | NAME: PLUG, 9 CIRCUIT, .093 COMMERCIAL PIN AND SOCKET PRODUCT SPEC: APPLICATION SPEC: SIZE: A 00779 C=770095 WEIGHT: - FINISH: - | RESTRICTED TO: - SCALE: 4:1 SHEET: 1 OF 1 REV: G |
| MATERIAL: NYLON UL94V-2 (NATURAL) | | CUSTOMER DRAWING | |