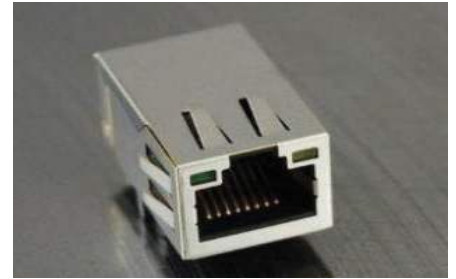




SINGLE PORT RJ45

AR11-4391I

- 10/100 Base-T for Ethernet LAN, WAN and other networking applications
- Designed to meet IEEE802.3
- RJ45 jack cavity conforms to FCC rules and regulations Part 68, SUB Part F
- Industrial Temp: -40°C to +85°C



Electrical Specifications @ 25°C

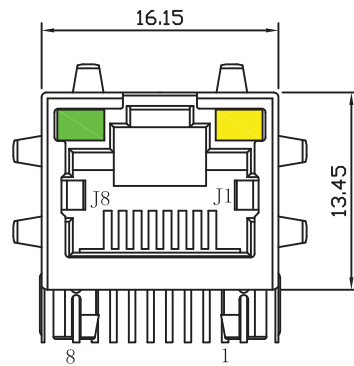
Part Number	OCL(μH Min) @ 100KHz, 0.1V With 8mA DC Bias	Turns Ratio chip: cable (± 3%)	Cross Talk (dB Min)			HI-POT (Test) (Vrms Min)
			1-30MHz	30-60MHz	60-100MHz	
AR11-4391I	350	1CT:1CT	-40	-35	-30	1500

Electrical Specifications @ 25°C

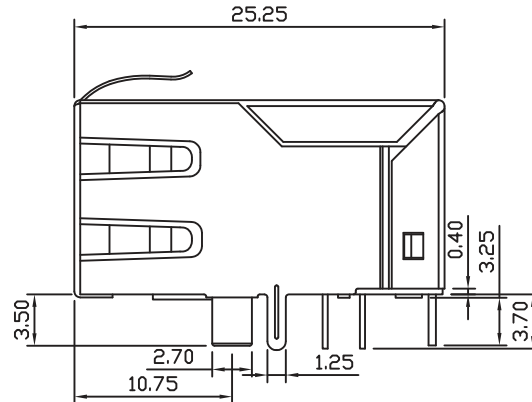
Part Number	Insertion Loss (dB Max)	Return Loss (dB Min)			CMR (dB Min)	
		1-10MHz	30-60MHz	60-100MHz	1-50MHz	50-150MHz
AR11-4391I	-1.2	-18	-12	-10	-30	-20

All specifications subject to change without notice.

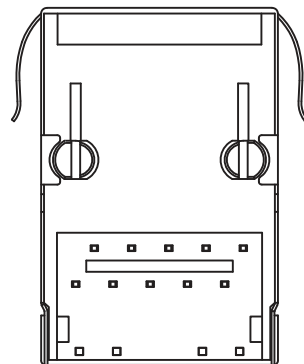
MECHANICAL



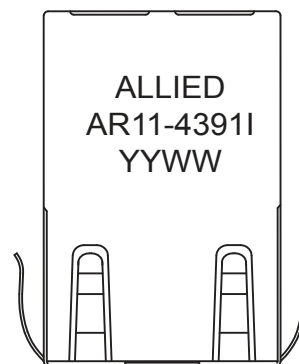
Front Side View



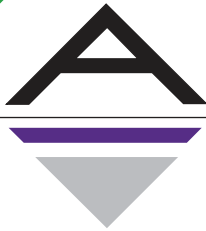
Left Side View



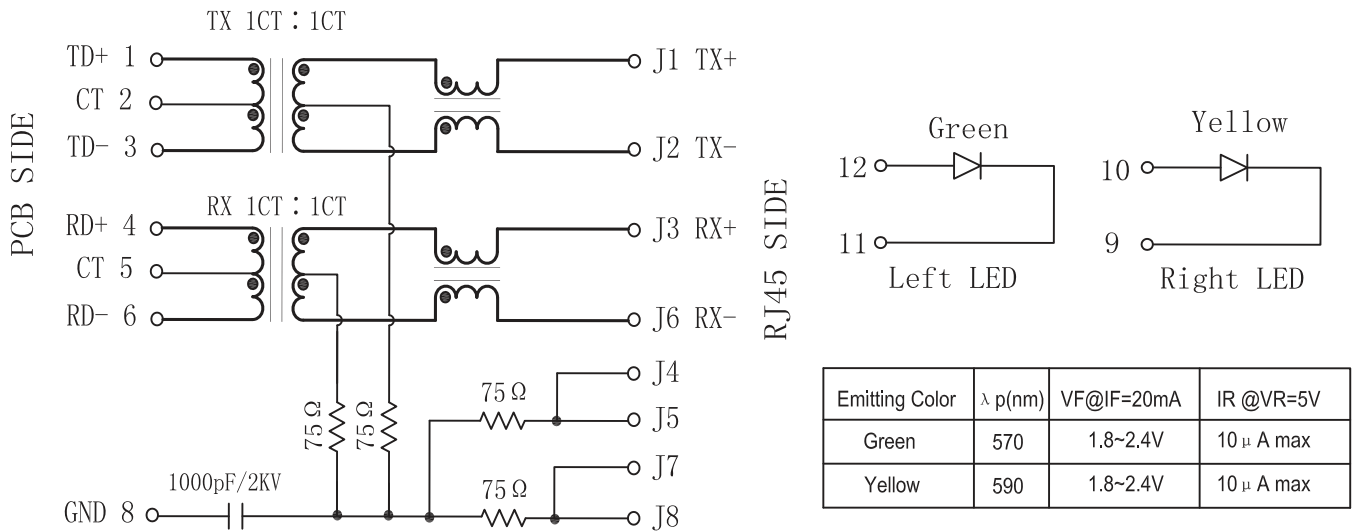
Bottom Side View



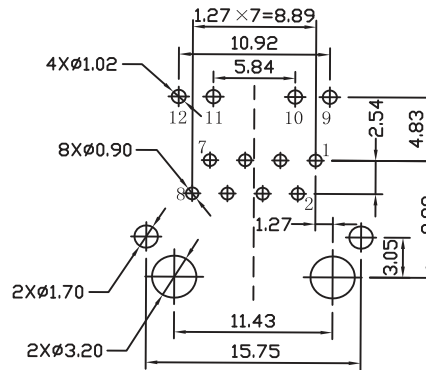
Top Side View



SCHEMATICS



PCB LAYOUT



Suggested PCB Layout

NOTES

- Connector Materials:
 Housing Material: Thermoplastic PBT+30%G.F UL94V-0
 Contact Material: Phosphor Bronze C5210R-EH Thickness=0.35mm
 Pins: Brass C2680R-H Thickness=0.35mm
 Shield: SUS S201-1/2H Thickness=0.2mm
 Contact plating: Gold 6 micro-inches min. In contact area.
- Wave solder tip temperature: 265°C Max, 5 Sec Max