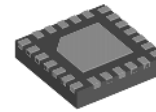


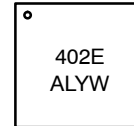
# 3.3 V USB 3.2 10 Gbps Dual Channel / Single Port Linear Redriver

## NB7NPQ1402E2M



UQFN24  
 CASE 523AB

### MARKING DIAGRAM



- 402E = Specific Device Code
- A = Assembly Location
- L = Wafer Lot
- Y = Year
- W = Work Week

### Description

The NB7NPQ1402E2M is a high performance single-Port linear redriver designed for USB 3.2 applications that supports both 5 Gbps and 10 Gbps data rates. Signal integrity degrades from PCB traces, transmission cables, and inter-symbol interference (ISI). The NB7NPQ1402E2M compensates for these losses by engaging varying levels of equalization at the input receiver, and flat gain amplification on the output transmitter.

The NB7NPQ1402E2M offers programmable equalization and flat gain for each independent channel to optimize performance over various physical mediums.

The NB7NPQ1402E2M contains an automatic receiver detect function which will determine whether the output is active. The receiver detection loop will be active if the corresponding channel's signal detector is idle for a period of time. The channel will then move to Unplug Mode if a load is not detected, or it will return to Low Power Mode (Slumber mode) due to inactivity.

The NB7NPQ1402E2M comes in a 2.5 x 2.5 x 0.5 mm UQFN24 package and is specified to operate across the entire industrial temperature range, -40°C to 85°C.

### Features

- 3.3 V ± 0.3 V Power Supply
- 5 Gbps & 10 Gbps Serial Link with Linear Amplifier
- Device Supports USB 3.2 Gen2 and Gen1
- Automatic Receiver Detection
- Supports USB-IF VCM Requirement
- Integrated Input and Output Termination
- Pin Adjustable Receiver Equalization and Flat Gain
- 100 Ω Differential CML I/O's
- Auto Slumber Mode for Adaptive Power Management
- Hot-Plug Capable
- ESD Protection ±4 kV HBM
- Operating Temperature Range Industrial: -40°C to +85°C
- Package: UQFN24, 2.5 x 2.5 x 0.5 mm
- This is a Pb-Free Device

### Typical Applications

- USB3.2 Type-A and Type-C Signal Routing
- Mobile Phone and Tablet
- Computer, Laptop and Notebook
- External Storage Device
- Docking Station and Dongle
- Active Cable, Back Planes
- Gaming Console, Smart T.V.

### ORDERING INFORMATION

Device	Package	Shipping†
NB7NPQ1402E2MMUTWG	UQFN24 (Pb-Free)	5000 / Tape & Reel

†For information on tape and reel specifications, including part orientation and tape sizes, please refer to our Tape and Reel Packaging Specifications Brochure, BRD8011/D.

# NB7NPQ1402E2M

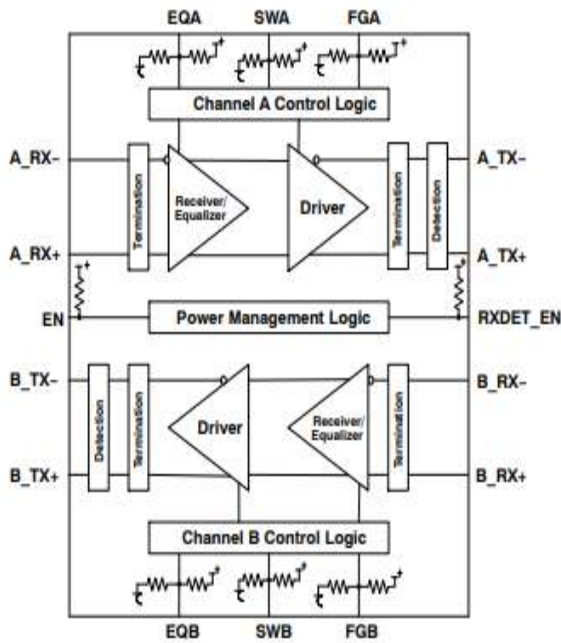


Figure 1. Logic Diagram of NB7NPQ1402E2M

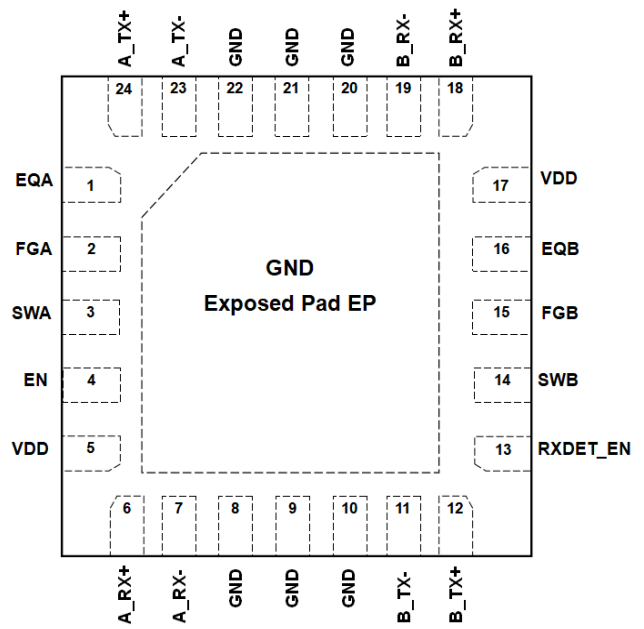


Figure 2. UQFN24 Package Pinout (Top View)

## NB7NPQ1402E2M

**Table 1. PIN DESCRIPTION**

Pin Number	Pin Name	Type	Description
1	EQA	INPUT	Pin for control of Channel A Equalization setting having internal 100 k $\Omega$ pull up and 200 k $\Omega$ pull-down resistors. 4 state input: HIGH "H" where pin is connected to VDD, LOW "L" where pin is connected to Ground, FLOAT "F" where the pin is left floating (open) and Rext "R" where an external resistor Rext 68 k $\Omega$ is connected from pin to Ground. FLOAT "F" is the default setting.
2	FGA	INPUT	Pin for control of Channel A Flat Gain setting having internal 100 k $\Omega$ and 200 k $\Omega$ pull-down resistors. 4 state input: HIGH "H" where pin is connected to VDD, Low "L" where pin is connected to Ground, FLOATING "F" where the pin is left floating (open) and Rext "R" where an external resistor Rext
3	SWA	INPUT	Pin for control of Channel A Swing levels having internal 100 k $\Omega$ and 200 k $\Omega$ pull-down resistors. 4 state input: HIGH "H" where pin is connected to VDD, LOW "L" where pin is connected to Ground, FLOAT "F" where the pin is left floating (open) and Rext "R" where an external resistor Rext 68 k $\Omega$ is connected from pin to Ground. FLOAT "F" is the default setting.
4	EN	INPUT	Pin for device channel Enable having an internal 300 k $\Omega$ pull-up resistor. HIGH "1" where pin is connected to , LOW "0" where pin is connected to Ground. Default is "1" pin is Enabled, Low Pin is disabled.
5, 17	VDD	POWER	3.3 V power supply. VDD pins must be externally connected to power supply.
6	A_RX+	INPUT	Channel A Differential CML input pair for 5 / 10 Gbps USB signals. Must be externally AC-coupled in system. UFP/DFP transmitter should provide this capacitor.
7	A_RX-		
9, 21	GND	GND	Reference Ground. GND pins must be externally connected to power supply ground to guarantee proper operation.
11	B_TX-	OUTPUT	Channel B Differential output for 5 / 10 Gbps USB signals. Must be externally AC-coupled in system
12	B_TX+		
13	RXDET_EN	INPUT	Receiver Detection enable pin. High-receiver detection is ENABLED. Low-receiver detection is DISABLED. Internal pull-up; default is high when open. The RXDET_EN pin must be powered simultaneously with VDD. After device is powered up, toggle the RXDET_EN pin from High to Low to DISABLE RX DETECT function.
14	SWB	INPUT	Pin for control of Channel B Swing Levels having an internal 100 k $\Omega$ pull up and 200 k $\Omega$ pull-down resistors. 4 state input: HIGH "H" where pin is connected to VDD, LOW "L" where pin is connected to Ground, FLOAT "F" where the pin is left floating (open) and Rext "R" where an external resistor Rext 68 k $\Omega$ is connected from pin to Ground. FLOAT "F" is the default setting.
15	FGB	INPUT	Pin for control of Channel B Flat Gain setting having internal 100 k $\Omega$ pull-up and 200 k $\Omega$ pull-down resistors. 4 state input: HIGH "H" where pin is connected to VDD, LOW "L" where pin is connected to Ground, FLOAT "F" where the pin is left floating (open) and Rext "R" where an external resistor Rext 68 k $\Omega$ is connected from pin to Ground. FLOAT "F" is the default setting
16	EQB	INPUT	Pin for control of Channel B Equalization setting having terminal 100 k $\Omega$ pull-up and 200 k $\Omega$ pull-down resistors. 4 state input: HIGH "H" where pin is connected to VDD, LOW "L" where pin is connected to Ground, FLOAT "F" where the pin is left floating (open) and Rext "R" where an external resistor Rext 68 k $\Omega$ is connected from pin to Ground. FLOAT "F" is the default setting.
18	B_RX+	INPUT	Channel B Differential CML input pair for 5 / 10 Gbps USB signals. Must be externally AC-coupled in system
19	B_RX-		
23	A_TX-	OUTPUT	Channel A Differential output for 5 / 10 Gbps USB signals. Must be externally AC-coupled in system.
24	A_TX+		
EP	GND	GND	Exposed Pad (EP). EP on the package bottom is thermally connected to the die for improved heat transfer out of the package. The expose pad is electrically connected to the die and must be soldered to GND on the PC board.

# NB7NPQ1402E2M

## Power Management

The NB7NPQ1402E2M has an adaptive power management feature in order to minimize power consumption. When the receiver signal detector is idle, the corresponding channel will change to low power slumber mode. Accordingly, both channels will move to low power slumber mode individually.

While in the low power slumber mode, the receiver signal detector will continue to monitor the input channel. If a channel is in low power slumber mode, the receiver detection loop will be active again. If a load is not detected, then the channel will move to Device Unplug Mode and continuously monitor for the load. When a load is detected, the channel will return to Low Power Slumber Mode and receiver detection will be active again per 6 ms.

**Table 2. OPERATING MODES**

Mode	R <sub>IN</sub>	R <sub>OUT</sub>
PD	67 kΩ to GND	High-Z
Unplug Mode	High-Z	40 kΩ to VDD
Low Power Slumber Mode	50 Ω to VDD	40 kΩ to VDD
Active	50 Ω to VDD	50 Ω to VDD

**Table 3. SWING SETTING**

SWA/B	SW (mVppd)
LOW "L" (Pin tied to Ground)	800
Rext "R" (68 kΩ tied from pin to Ground)	1200
Float "F" (Pin open)	1000 (Default)
HIGH "H" (Pin tied to VDD)	1100

**Table 8. ATTRIBUTES**

Parameter		
ESD Protection	Human Body Model Charged Device Model	± 4 kV > 1.5 kV
Moisture Sensitivity, Indefinite Time Out of Dry pack (Note 1)		Level 1
Flammability Rating	Oxygen Index: 28 to 34	UL 94 V-O @ 0.125 in
Transistor Count		81034
Meets or exceeds JEDEC Spec EIA/JESD78 IC Latch-up Test		

1. For additional information, see Application Note AND8003/D.

**Table 4. EQUALIZATION SETTING**

EQA/B are the selection pins for the equalization.

EQA/B	Equalizer Setting (dB)	
	@2.5 GHz	@5 GHz
L (Tie 0-Ω to GND)	5.0	9.9
R (Tie Rext to GND)	2.7	6.9
F (Leave Open)	4.0	8.2 (Default)
H (Tie 0-Ω to VDD)	6.5	12.1

**Table 5. FLAT GAIN SETTING**

FGA/B are the selection pins for the DC gain.

FGA/B	Flat Gain Settings (dB)
L (Tie 0 Ω to GND)	-1.2
R (Tie Rext to GND)	-0.2
F (Leave Open)	+0.8 (Default)
H (Tie 0 Ω to VDD)	+1.8

**Table 6. CHANNEL ENABLE SETTING**

EN is the channel enable pin for both channels A&B.

EN	Channel Enable Setting
0	Disabled
1	Enabled (Default)

**Table 7. RECEIVER DETECTION SETTING**

RXDET_EN	Status
Low "0" (Pin tied to Ground)	Disabled
HIGH "1" (Pin tied to VDD)	Enabled (Default)

# NB7NPQ1402E2M

**Table 9. ABSOLUTE MAXIMUM RATINGS** Over operating free-air temperature range (unless otherwise noted)

Parameter	Description	Min	Max	Unit
Supply Voltage (Note 2)	V <sub>DD</sub>	-0.5	4.6	V
Voltage range at any input or output terminal	Differential I/O	-0.5	V <sub>DD</sub> + 0.5	V
	LVC MOS inputs	-0.5	V <sub>DD</sub> + 0.5	V
Output Current		-25	+25	mA
Power Dissipation, Continuous			1.2	W
Storage Temperature Range, T <sub>SG</sub>		-65	150	°C
Maximum Junction Temperature, T <sub>J</sub>			125	°C
Junction-to-Ambient Thermal Resistance @ 500 lfm, θ <sub>JA</sub> (Note 3)			34	°C/W
Wave Solder, Pb-Free, T <sub>SOL</sub>			265	°C

Stresses exceeding those listed in the Maximum Ratings table may damage the device. If any of these limits are exceeded, device functionality should not be assumed, damage may occur and reliability may be affected.

- All voltage values are with respect to the GND terminals.
- JEDEC standard multilayer board – 2S2P (2 signal, 2 power).

**Table 10. RECOMMENDED OPERATING CONDITIONS** Over operating free-air temperature range (unless otherwise noted)

Parameter	Description	Min	Typ	Max	Unit
V <sub>DD</sub>	Main power supply	3.0	3.3	3.6	V
T <sub>A</sub>	Operating free-air temperature	-40		+85	°C
C <sub>AC</sub>	AC coupling capacitor	75	100	265	nF

Functional operation above the stresses listed in the Recommended Operating Ranges is not implied. Extended exposure to stresses beyond the Recommended Operating Ranges limits may affect device reliability.

**Table 11. POWER SUPPLY CHARACTERISTICS and LATENCY**

Symbol	Parameter	Test Conditions	Min	Typ (Note 4)	Max	Unit
V <sub>DD</sub>	Supply Voltage		3.0	3.3	3.6	V
I <sub>DDActive</sub>	Active mode current	EN = 1, 10 Gbps, compliance test pattern		125	167	mA
I <sub>DDLPSlumber</sub>	Low Power Slumber mode current	EN = 1, no input signal longer than TLPSlumber		0.4	0.65	mA
I <sub>DDUnplug</sub>	Unplug mode current	EN = 1, no output load is detected		0.25	0.4	mA
I <sub>DDpd</sub>	Power-down mode current	EN = 0		20	50	μA
t <sub>pd</sub>	Latency	From Input to Output			2	ns

- TYP values use V<sub>DD</sub> = 3.3 V, T<sub>A</sub> = 25°C

**Table 12. LVC MOS CONTROL PIN CHARACTERISTICS**

V<sub>DD</sub> = 3.3 V +/- 0.3 V Over operating free-air temperature range (unless otherwise noted)

Symbol	Parameter	Test Conditions	Min	Typ	Max	Unit
--------	-----------	-----------------	-----	-----	-----	------

**2-Level Control Pins LVC MOS Inputs (EN, RXDET\_EN)**

V <sub>IH</sub>	DC Input Logic High		0.65 x V <sub>DD</sub>	V <sub>DD</sub>	V <sub>DD</sub>	V
V <sub>IL</sub>	DC Input Logic Low		GND	GND	0.35 x V <sub>DD</sub>	V
I <sub>IH</sub>	High-level input current				25	μA
I <sub>IL</sub>	Low-level input current		-25			μA

**4-Level Control Pins LVC MOS Inputs (EQA/B, FGA/B, SWA/B)**

V <sub>IH</sub>	DC Input Logic High; Setting "H"	Input pin connected to V <sub>DD</sub>	0.92 x V <sub>DD</sub>	V <sub>DD</sub>		V
V <sub>IF</sub>	DC Input Logic 2/3 V <sub>DD</sub> ; Setting "F"	Input pin is left floating (Open) (Note 5)	0.59 x V <sub>DD</sub>	0.67*V <sub>DD</sub>	0.75 x V <sub>DD</sub>	V

# NB7NPQ1402E2M

**Table 12. LVCMOS CONTROL PIN CHARACTERISTICS**

VDD = 3.3 V +/- 0.3 V Over operating free-air temperature range (unless otherwise noted)

Symbol	Parameter	Test Conditions	Min	Typ	Max	Unit
<b>4-Level Control Pins LVCMOS Inputs (EQA/B, FGA/B, SWA/B)</b>						
V <sub>IR</sub>	DC Input Logic 1/3 VDD; Setting "R"	R <sub>ext</sub> 68 kΩ must be between pin and GND	0.25 x VDD	0.33*VDD	0.41 x VDD	V
V <sub>IL</sub>	DC Input Logic Low; Setting "L"	Input pin connected to GND		GND	0.08 x VDD	V
I <sub>IH</sub>	High-level input current				50	μA
I <sub>IL</sub>	Low-level input current		-50			μA
R <sub>ext</sub>	External Resistor for input setting "R"	R <sub>ext</sub> connect to GND (±5%)	64.6	68	71.4	kΩ

5. Floating refers to a pin left in an open state, with no external connections.

**Table 13. CML RECEIVER AC/DC CHARACTERISTICS**

VDD = 3.3 V +/- 0.3 V Over operating free-air temperature range (unless otherwise noted)

Symbol	Parameter	Test Conditions	Min	Typ	Max	Unit
R <sub>RX-DIFF-DC</sub>	Differential Input Impedance (DC)		72	100	120	Ω
R <sub>RX-SINGLE-DC</sub>	Single-ended Input Impedance (DC)	Measured with respect to GND over a voltage of 500 mV max.	18		30	Ω
Z <sub>RX-HIZ-DC-PD</sub>	Common-mode input impedance for V>0 during reset or power-down (DC)	V <sub>CM</sub> = 0 to 500 mV	25			kΩ
C <sub>ac_coupling</sub>	AC coupling capacitance		75		265	nF
V <sub>RX-CM-AC-P</sub>	Common mode peak voltage	AC up to 5 GHz			150	mV <sub>peak</sub>
V <sub>RX-CM-DC-Active-Idle-Delta-P</sub>	Rx AC common mode voltage during the U1 to U0 transition	Measured at Rx pins into a pair of 50 Ω terminations into ground. Includes Tx and channel conversion, AC range up to 5 GHz			200	mV <sub>peak</sub>
V <sub>RX-CM-DC-Conn</sub> (Notes 6, 7)	Instantaneous DC common mode voltage coupled from the far-end Tx	Apply to all link states and during power-on, and power-off when Rx termination is equivalent of 200 kΩ	-0.5		1	V
V <sub>RX-CM-DC-Conn</sub> (Notes 6, 7)	Instantaneous DC common mode voltage coupled from the far-end Tx	Apply to all link states and during power-on, and power-off when Rx termination is 50 Ω	-0.3		1	V

Product parametric performance is indicated in the Electrical Characteristics for the listed test conditions, unless otherwise noted. Product performance may not be indicated by the Electrical Characteristics if operated under different conditions.

6. Not include +/-250 mV AC ground offset.

7. The receiver supports legacy implementations with V<sub>TX-DC+AC-CONN</sub> common mode transient up to 2.2 V.

**Table 14. TRANSMITTER AC/DC CHARACTERISTICS**

VDD = 3.3 V +/- 0.3 V Over operating free-air temperature range (unless otherwise noted)

Symbol	Parameter	Test Conditions	Min	Typ	Max	Unit
V <sub>TX-DIFF-PP</sub>	Output differential p-p voltage swing at 100 MHz (SWx = F)	Differential Swing  V <sub>TX-D+</sub> - V <sub>TX-D-</sub>	0.8	1.0	1.2	V <sub>PPd</sub>
R <sub>TX-DIFF-DC</sub>	Differential TX impedance (DC)		72	100	120	Ω
V <sub>TX-RCV-DET</sub>	Voltage change allowed during receiver detect				600	mV
C <sub>ac_coupling</sub>	AC coupling capacitance		75		265	nF
T <sub>TX-EYE</sub> (10 Gbps)	Transmitter eye, Include all jitter	At the silicon pad. 10 Gbps	0.646			UI
T <sub>TX-EYE</sub> (5 Gbps)	Transmitter eye, Include all jitter	At the silicon pad. 5 Gbps	0.625			UI
T <sub>TX-DJ-DD</sub> (10 Gbps)	Transmitter deterministic jitter	At the silicon pad. 10 Gbps			0.17	UI
T <sub>TX-DJ-DD</sub> (5 Gbps)	Transmitter deterministic jitter	At the silicon pad. 5 Gbps			0.205	UI
C <sub>txparasitic</sub>	Parasitic capacitor for TX				1.1	pF

## NB7NPQ1402E2M

**Table 14. TRANSMITTER AC/DC CHARACTERISTICS** (continued)

VDD = 3.3 V +/- 0.3 V Over operating free-air temperature range (unless otherwise noted)

Symbol	Parameter	Test Conditions	Min	Typ	Max	Unit
RTX-DC-CM	Common-mode output impedance (DC)		18		30	Ω
VTX-DC-CM	Instantaneous allowed DC common mode voltage at the connector side of the AC coupling capacitors	200 kΩ single ended receiver load	-0.5		1	V
VTX-DC-CM	Instantaneous allowed DC common mode voltage at the connector side of the AC coupling capacitors	50 Ω single ended receiver load	-0.3		1	V
VTX-C	Common-mode voltage	$ V_{TX-D+} + V_{TX-D-} /2$	VDD - 1.5		VDD	V
VTX-CM-AC-PP-Active	TX AC common-mode peak-to-peak voltage swing in active mode	$V_{TX-D+} + V_{TX-D-}$ for both time and amplitude			100	mV <sub>PP</sub>
$V_{TX-CM-DC-Active-Idle-Delta}$	Common mode delta voltage $ AvgU0( V_{TX-D+} + V_{TX-D-} )/2 - AvgU1( V_{TX-D+} + V_{TX-D-} )/2 $	Between U0 to U1			200	mV <sub>peak</sub>
$V_{TX-Idle-DIFF-AC-pp}$	Idle mode AC common mode delta voltage $ V_{TX-D+} - V_{TX-D-} $	Between TX+ and TX- in idle mode. Use the HPF to remove DC components. 1/LPF. No AC and DC signals are applied to RX terminals.			10	mV <sub>ppd</sub>
$V_{TX-Idle-DIFF-DC}$	Idle mode DC common mode delta voltage $ V_{TX-D+} - V_{TX-D-} $	Between TX+ and TX- in idle mode. Use the LPF to remove DC components. 1/HPF. No AC and DC signals are applied to RX terminals.			10	mV

### CHANNEL PERFORMANCE

Gp	Peaking gain (Compensation at 5 GHz, relative to 100 MHz, 100 mV <sub>p-p</sub> sine wave input)	EQx = L		9.9		dB
		EQx = R		6.9		
		EQx = F		8.2		
		EQx = H		12.1		
		Variation around typical	-3		+3	dB
GF	Flat Gain (<100 MHz, EQx=F)	FGx = L		-1.2		dB
		FGx = R		-0.2		
		FGx = F		+0.8		
		FGx = H		+1.8		
		Variation around typical	-3		+3	dB
$V_{SW\_100M}$	-1 dB compression point output swing (100 MHz) (SWx = F)			1000		mV <sub>ppd</sub>
$V_{SW\_5G}$	-1 dB compression point output swing (5 GHz) (SWx = F)			800		mV <sub>ppd</sub>
DDNEXT	Differential near-end crosstalk (Note 8)	100 MHz to 5 GHz, Figure 5		-40		dB

### SIGNAL AND FREQUENCY DETECTORS

Vth_dsm	Low power slumber mode detector threshold	LFPS signal threshold in Low power Slumber mode	100		600	mV <sub>ppd</sub>
Vth_am	Active mode detector threshold	Signal threshold in Active and Slumber mode (Note 9)	45		175	mV <sub>ppd</sub>

8. Measured using a vector network analyzer (VNA) with -15 dbm power level applied to the adjacent input. The VNA detects the signal at the output of the victim channel. All other inputs and outputs are terminated with 50 Ω.

9. Below the minimum is no signal ≥ 25°C. Above the maximum is active.

PARAMETER MEASUREMENT DIAGRAMS

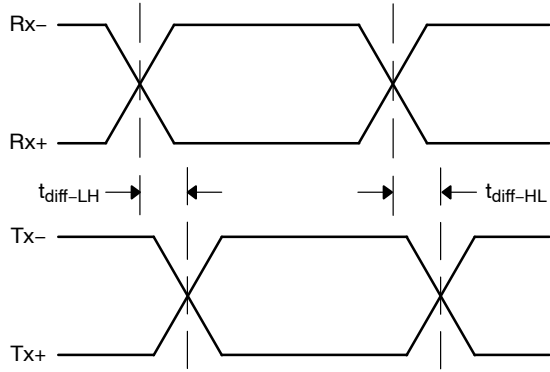


Figure 3. Propagation Delay

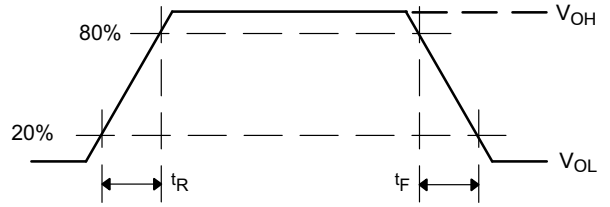


Figure 4. Output Rise and Fall Times

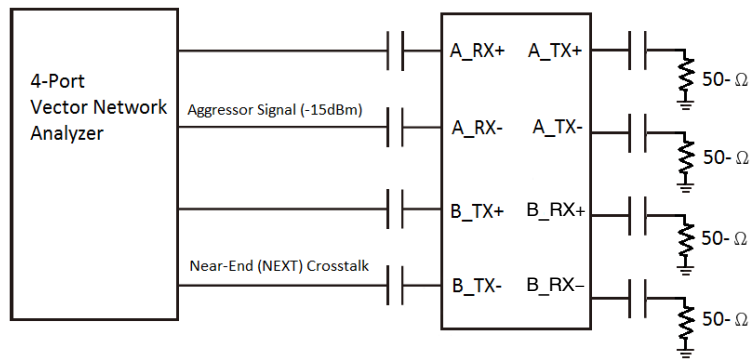


Figure 5. Channel-Isolation Test Configuration



# NB7NPQ1402E2M

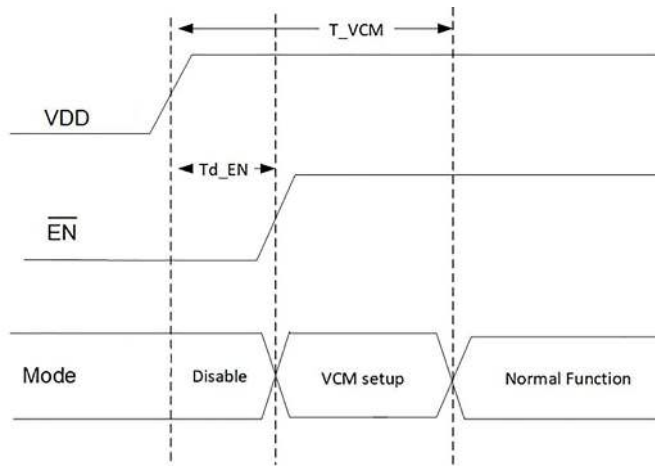


Figure 6. Power Up Timing

Table 15. POWER UP TIMING

Symbol	Parameter	Test Conditions	Min	Typ	Max	Unit
Td_EN	VDD to Enable Assertion timing requirement	Figure 6.	0			ms
T_VCM	Stabilization time for VCM	Figure 6.		330	400	ms

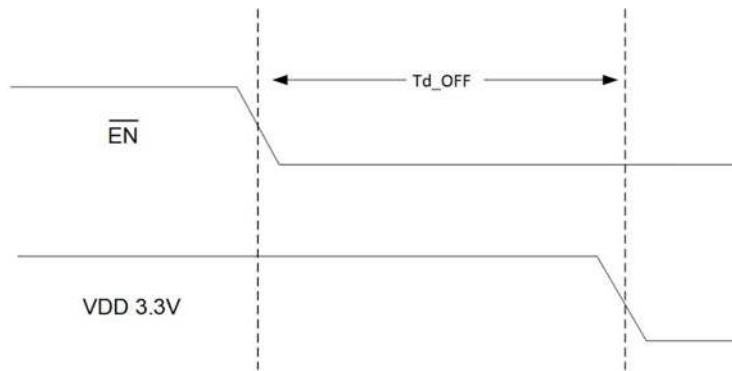


Figure 7. Power Down Timing

Table 16. POWER DOWN TIMING

Symbol	Parameter	Test Conditions	Min	Typ	Max	Unit
Td_OFF	Delay time required from EN de-assertion until VDD is powered off	Figure 7.	900			ms

## APPLICATION GUIDELINES

### LFPS Compliance Testing

As part of USB 3.2 compliance test, the host or peripheral must transmit a LFPS signal that adheres to the spec parameters. The NB7NPQ1402E2M is tested as a part of a USB compliant system to ensure that it maintains compliance while increasing system performance.

### LFPS Functionality

USB 3.2 Low Frequency Periodic Signaling.

(LFPS) to implement functions like exiting low-power modes, performing warm resets and providing link training between host and peripheral devices. LFPS signaling consists of bursts of frequencies ranging between 10 to 50 MHz and can have specific burst lengths or repeat rates.

### Ping.LFPS for TX Compliance

During the transmitter compliance, the system under test must transmit certain compliance patterns as defined by the USB-IF. In order to toggle through these patterns for various tests, the receiver must receive a ping.LFPS signal from either the test suite or a separate pattern generator. The standard signal comprises of a single burst period of 100 ns at 20 MHz.

### Control Pin Settings

Control pins SWA, FGA, EQA, SWB, FGB, and EQB control the Output Swing, Flat Gain and the Equalization of channels A and B of the NB7NPQ1402E2M Device.

The Float (Default) Setting “F” can be set by leaving the control pins in a floating state. The Redriver will internally bias the control pins to the correct voltage to achieve this if the pin is not connected to a voltage source. The low Setting “L” is set by pulling the control pin to ground. Likewise the high setting “H” is set by pulling the pin high to VCC. The Rexternal setting can be set by adding a 68 kΩ resistor from the control pin to ground. This will bias the Redriver internal voltage to 33% of VCC.

### Linear Equalization

The linear equalization that the NB7NPQ1402E2M provides compensates for losses that occur naturally along board traces and cable lines. Linear Equalization boosts high frequencies and lower frequencies linearly so when transmitting at varying frequencies, the voltage amplitude will remain consistent. This compensation electrically counters losses and allows for longer traces to be possible when routing.

### DC Flat Gain

DC flat gain equally boosts high and low frequency signals, and is essential for countering low frequency losses.

DC flat gain can also be used to simulate a higher input signal from a USB Controller. If a USB controller can only provide 800 mV differential to a receiver, it can be boosted to 1128 mV using 2 dB of flat gain.

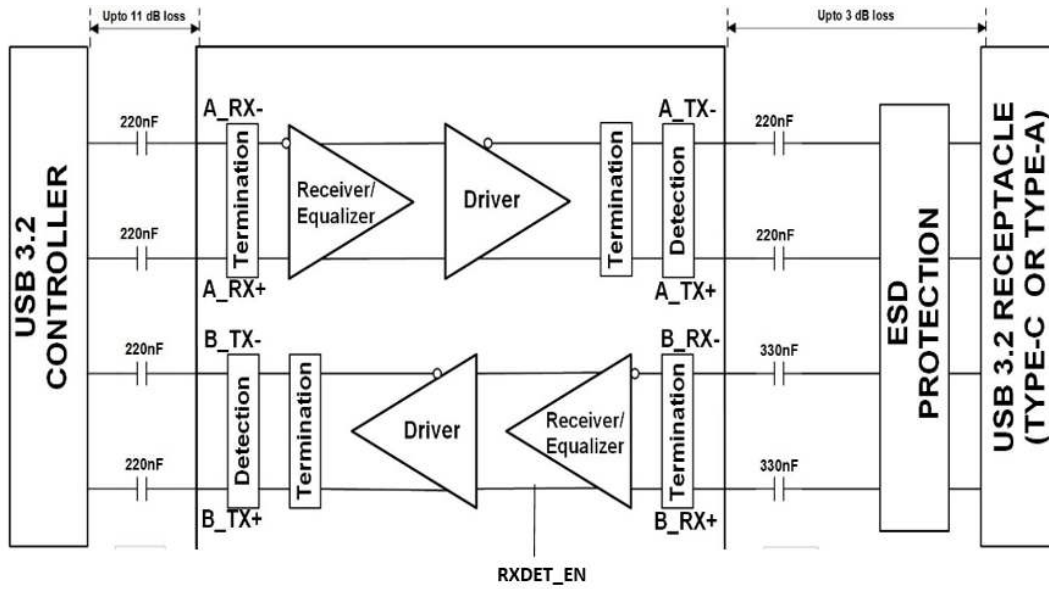
### Total Gain

When using Flat Gain with Equalization in a USB application it is important to make sure that the total voltage does not exceed 1200 mV. Total gain can be calculated by adding the EQ gain to the FG.

### Typical Layout Practices

- RX and TX pairs should maintain as close to a 90 Ω differential impedance as possible.
- Limit the number of vias used on each data line. It is suggested that two or fewer are used.
- Traces should be routed as straight and symmetric as possible.
- RX and TX differential pairs should always be placed and routed on the same layer directly above a ground plane. This will help reduce EMI and noise on the data lines.
- Routing angles should be obtuse angles and kept to 135° or larger.
- To minimize crosstalk, TX and RX data lines should be kept away from other high speed signals.

## NB7NPQ1402E2M



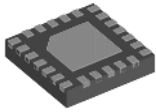
**Figure 8. Typical Application**

**Table 17. DESIGN REQUIREMENTS**

Design Parameter	Value
Supply Voltage	3.3 V nominal, (3.0 V to 3.6 V)
Operation Mode (Control Pin Selection)	Floating by Default, adjust for application losses
TX AC Coupling Capacitors	220 nF nominal, 75 nF to 265 nF, see Figure 8
RX AC Coupling Capacitors	330 – 470 nF nominal, see Figure 8
Power Supply Capacitors	100 nF to GND close to each VCC pin, and 10 mF to GND on the VCC plane
Trace loss of FR4 before NB7NPQ1402E2M (Note 10)	Up to 11 dB Losses
Trace loss of FR4 after NB7NPQ1402E2M (Note 10)	Up To 3 dB Losses. Keep as short as possible for best performance.
Linear Range at 5 GHz	900 mV differential
DC Flat Gain Options	-1.2 dB, -0.2 dB, +0.8 dB, +1.8 dB
Equalization Options	6.9 to 12.1 dB
Differential Trace Impedance	90 Ω ±10%

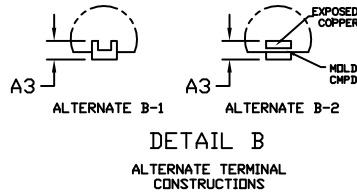
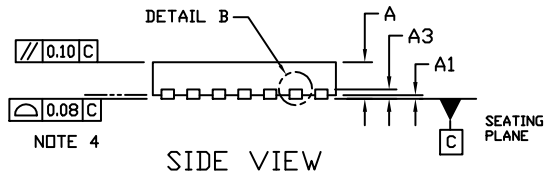
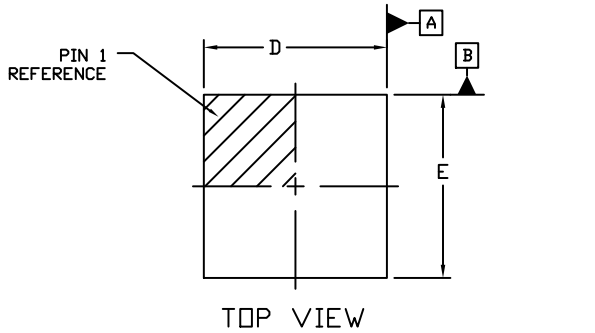
10. Trace loss of FR4 was estimated to have 1 dB of loss per 1 inch of FR4 length with matched impedance and no VIAS.

# MECHANICAL CASE OUTLINE PACKAGE DIMENSIONS

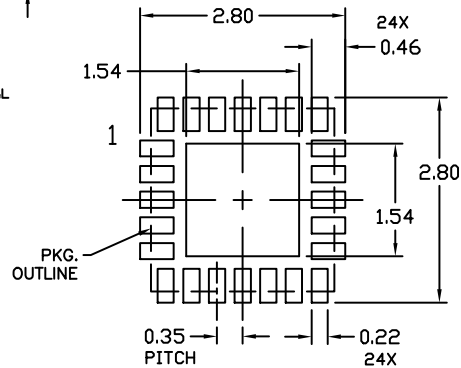
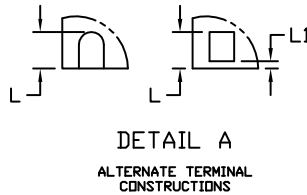
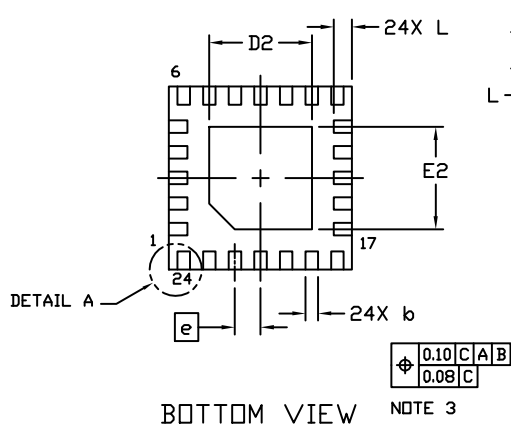


**UQFN24 2.5x2.5, 0.35P**  
CASE 523AB  
ISSUE A

DATE 20 AUG 2021



DIM	MILLIMETERS		
	MIN.	NDM.	MAX.
A	0.45	0.50	0.55
A1	0.00	---	0.05
A3	0.13 REF		
b	0.12	0.17	0.22
D	2.45	2.50	2.55
D2	1.30	1.40	1.50
E	2.45	2.50	2.55
E2	1.30	1.40	1.50
e	0.35 BSC		
L	0.15	0.25	0.35
L1	0.00	0.05	0.10



### GENERIC MARKING DIAGRAM\*



XXXX = Specific Device Code  
A = Assembly Location  
L = Wafer Lot  
Y = Year  
W = Work Week

\*This information is generic. Please refer to device data sheet for actual part marking. Pb-Free indicator, "G" or microdot "•", may or may not be present. Some products may not follow the Generic Marking.

\* For additional information on our Pb-Free strategy and soldering details, please download the ON Semiconductor Soldering and Mounting Techniques Reference Manual, SOLDERM/D.

<b>DOCUMENT NUMBER:</b>	<b>98AON31482H</b>	Electronic versions are uncontrolled except when accessed directly from the Document Repository. Printed versions are uncontrolled except when stamped "CONTROLLED COPY" in red.
<b>DESCRIPTION:</b>	<b>UQFN24 2.5x2.5, 0.35P</b>	<b>PAGE 1 OF 1</b>

onsemi and ONSEMI are trademarks of Semiconductor Components Industries, LLC dba onsemi or its subsidiaries in the United States and/or other countries. onsemi reserves the right to make changes without further notice to any products herein. onsemi makes no warranty, representation or guarantee regarding the suitability of its products for any particular purpose, nor does onsemi assume any liability arising out of the application or use of any product or circuit, and specifically disclaims any and all liability, including without limitation special, consequential or incidental damages. onsemi does not convey any license under its patent rights nor the rights of others.

**onsemi**, **Onsemi**, and other names, marks, and brands are registered and/or common law trademarks of Semiconductor Components Industries, LLC dba "**onsemi**" or its affiliates and/or subsidiaries in the United States and/or other countries. **onsemi** owns the rights to a number of patents, trademarks, copyrights, trade secrets, and other intellectual property. A listing of **onsemi**'s product/patent coverage may be accessed at [www.onsemi.com/site/pdf/Patent-Marking.pdf](http://www.onsemi.com/site/pdf/Patent-Marking.pdf). **onsemi** reserves the right to make changes at any time to any products or information herein, without notice. The information herein is provided "as-is" and **onsemi** makes no warranty, representation or guarantee regarding the accuracy of the information, product features, availability, functionality, or suitability of its products for any particular purpose, nor does **onsemi** assume any liability arising out of the application or use of any product or circuit, and specifically disclaims any and all liability, including without limitation special, consequential or incidental damages. Buyer is responsible for its products and applications using **onsemi** products, including compliance with all laws, regulations and safety requirements or standards, regardless of any support or applications information provided by **onsemi**. "Typical" parameters which may be provided in **onsemi** data sheets and/or specifications can and do vary in different applications and actual performance may vary over time. All operating parameters, including "Typicals" must be validated for each customer application by customer's technical experts. **onsemi** does not convey any license under any of its intellectual property rights nor the rights of others. **onsemi** products are not designed, intended, or authorized for use as a critical component in life support systems or any FDA Class 3 medical devices or medical devices with a same or similar classification in a foreign jurisdiction or any devices intended for implantation in the human body. Should Buyer purchase or use **onsemi** products for any such unintended or unauthorized application, Buyer shall indemnify and hold **onsemi** and its officers, employees, subsidiaries, affiliates, and distributors harmless against all claims, costs, damages, and expenses, and reasonable attorney fees arising out of, directly or indirectly, any claim of personal injury or death associated with such unintended or unauthorized use, even if such claim alleges that **onsemi** was negligent regarding the design or manufacture of the part. **onsemi** is an Equal Opportunity/Affirmative Action Employer. This literature is subject to all applicable copyright laws and is not for resale in any manner.

---

## ADDITIONAL INFORMATION

### TECHNICAL PUBLICATIONS:

Technical Library: [www.onsemi.com/design/resources/technical-documentation](http://www.onsemi.com/design/resources/technical-documentation)  
onsemi Website: [www.onsemi.com](http://www.onsemi.com)

### ONLINE SUPPORT: [www.onsemi.com/support](http://www.onsemi.com/support)

For additional information, please contact your local Sales Representative at [www.onsemi.com/support/sales](http://www.onsemi.com/support/sales)