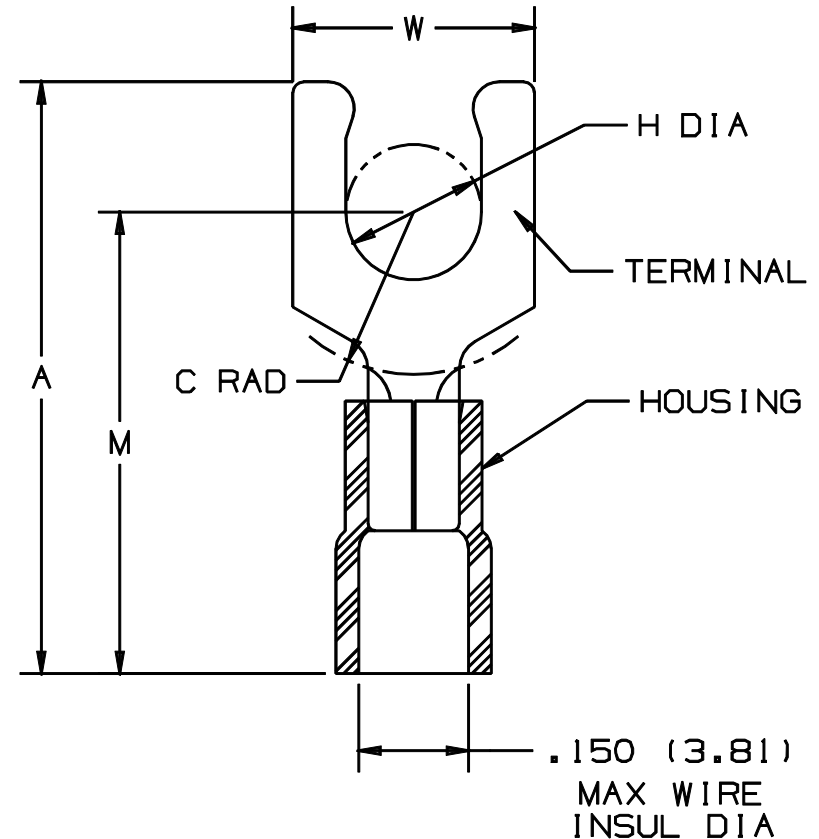


THIS COPY IS PROVIDED ON A RESTRICTED BASIS AND IS NOT TO BE USED IN ANY WAY DETRIMENTAL TO THE INTERESTS OF PANDUIT CORP.

PANDUIT PART NUMBER	STUD SIZE	DIMENSIONS in.				
		A ±.03	W ±.01	C MIN	M ±.03	H ±.01
PV18-5SLF	#5	.82 (20.83)	.26 (6.60)	.19 (4.83)	.70 (17.78)	.13 (3.30)
PV18-6SLF	#6	.82 (20.83)	.27 (6.86)	.19 (4.83)	.70 (17.78)	.14 (3.56)
PV18-8SLF	#8	.87 (22.10)	.29 (7.37)	.23 (5.84)	.75 (19.05)	.16 (4.06)
PV18-10SLF	#10	.88 (22.35)	.33 (8.38)	.23 (5.84)	.74 (18.80)	.19 (4.83)



**NOTES:**

- CSA CERTIFIED FOR:
  - 600 V MAX. VOLTAGE RATING
  - 221°F (105°C) MAX. TEMP. RATING
  - #22-18 AWG STRANDED COPPER WIRE
- PACKAGE QTY.: STD C=100  
BULK M=1000
- MATERIAL:
  - STAMPING - .032 (.81) THK COPPER, TIN PLATED
  - HOUSING - RED VINYL
- WIRE STRIP LENGTH:  $5/16 \begin{matrix} +1/32 \\ -0 \end{matrix}$  (7.9  $\begin{matrix} +.8 \\ -.0 \end{matrix}$ )
- DIMENSIONS IN BRACKETS ARE IN MILLIMETERS
- INSTALLATION TOOLS:
  - CSA APPROVED: CT-510, CT-1551, CT-1550
  - PANDUIT APPROVED: CT-400



CERTIFIED  
LR31212

A41460\_04

04	1/01	RM		FILESPEC WAS N41460AA_PCD_03				<p>TINLEY PARK, ILLINOIS</p> <p>#22-18 BARREL VINYL INSULATED SHORT LOCKING FORK .150 MAX INSUL DIA</p>								
03		JKD		ADDED CT-1551 & CT-1550 TOOLS	07632											
02	12/94	TH	RLS	UPDATED NOTES AND DIMENSIONS	02708	LA	TFKE									
01	3/91	DL		TANG WIDTH INCREASED PART NO PV18-5SLF, PV18-6SLF	00403	LA	KRS									
REV	DATE	BY	CHK	DESCRIPTION	ECN #	CUST	PM	<table border="1"> <tr> <td>DRAWN BY</td> <td>CHK'D</td> <td>SCALE</td> <td>DRAWING NO.</td> </tr> <tr> <td>DRL</td> <td>RLS</td> <td>NONE</td> <td>A41460</td> </tr> </table>	DRAWN BY	CHK'D	SCALE	DRAWING NO.	DRL	RLS	NONE	A41460
DRAWN BY	CHK'D	SCALE	DRAWING NO.													
DRL	RLS	NONE	A41460													