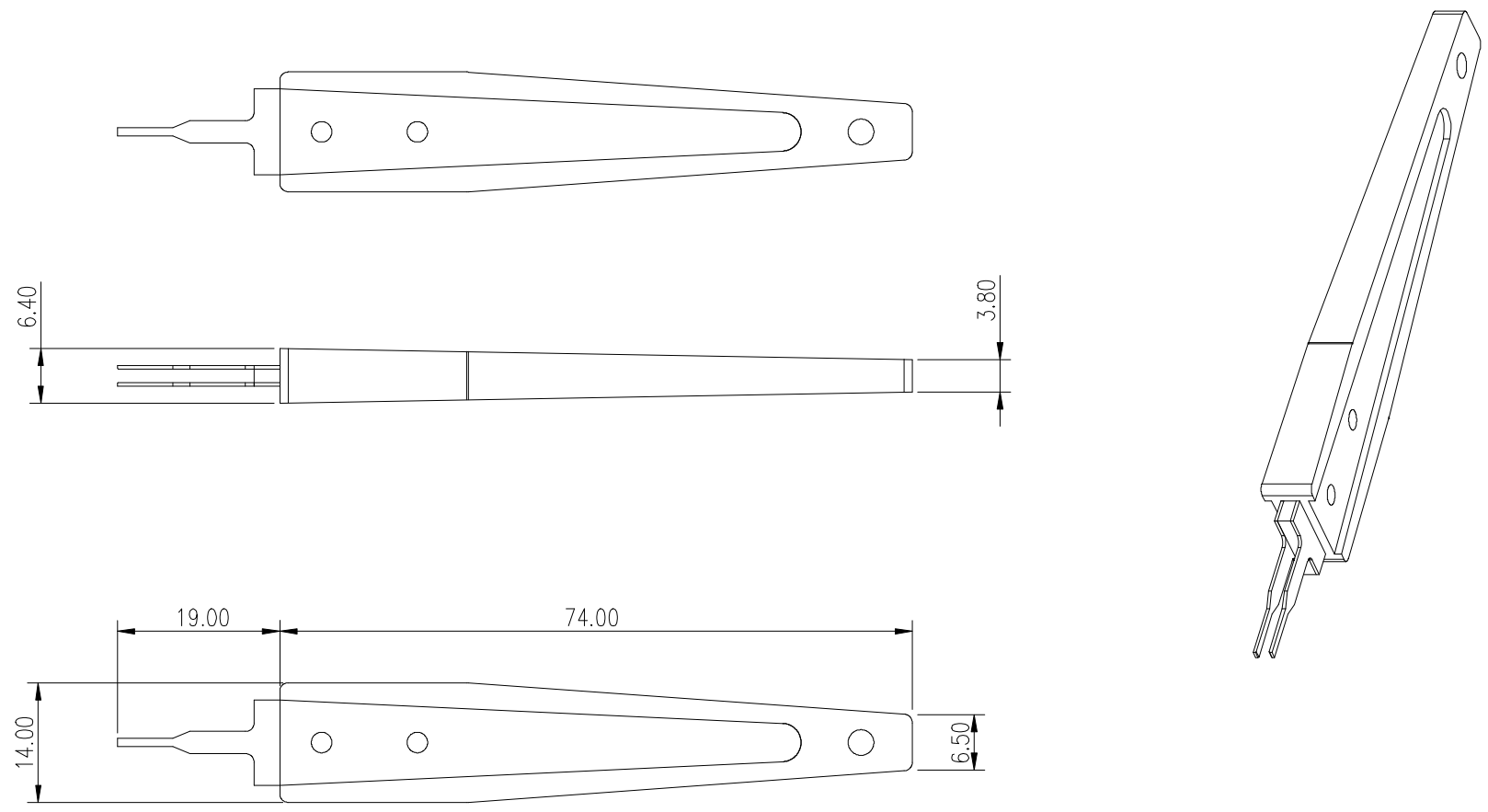


PRODUCT NUMBER	APPLICABLE P/N	APPLICABLE TERMINAL
10129274-042LF	10127817, 10127818	MINITEK PWR4.2

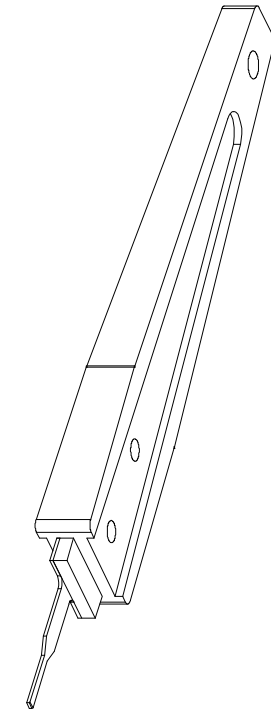
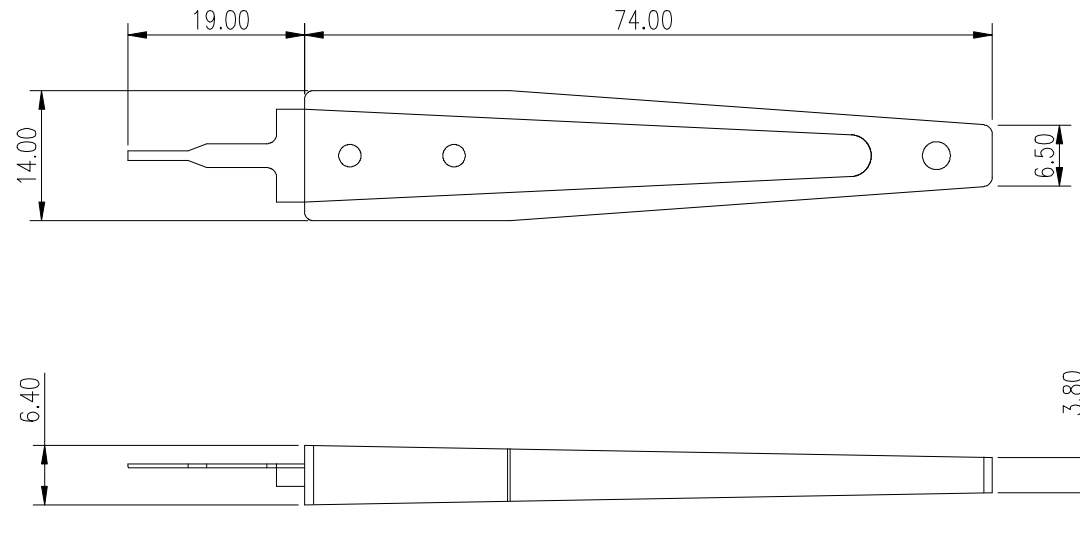


NOTE:  
1. MATERIAL:  
HANDLE: HIGH TEMP. THERMOPLASTIC, UL94V-0, BLACK  
TINES: STEEL

mat'l. code		surface <input checked="" type="checkbox"/>		tolerance		projection		product family	
itr		ecn no		date		tolerances unless otherwise specified		MINITEK PWR4.2 & 3.0	
A		TAI		2014-04-23		X.XX ±0.15		title	
				angles		MM		TERMINAL REMOVAL TOOL	
				X*±1*		scale		dwg no	
				dr		KENNY TAI		2014-03-03	
				enr		KENNY TAI		2014-03-03	
				chr		KENNY TAI		2014-03-03	
				appd		PM ZHENG		2014-04-23	
sheet index		revision sheet		A 1		A 2		sheet 1 of 2 size	
								10129274 A4	
								type CUSTOMER Drawing	



PRODUCT NUMBER	APPLICABLE P/N	APPLICABLE TERMINAL
10129274-030LF	10127718, 10127719	MINITEK PWR3.0



NOTE:  
1. MATERIAL:  
HANDLE: HIGH TEMP. THERMOPLASTIC, UL94V-0, BLACK  
TINES: STEEL

mat'l. code		surface <input checked="" type="checkbox"/>		tolerance		projection		product family	
itr		ecn no		dr		date		MINITEK PWR4.2 & 3.0	
								title	
								TERMINAL REMOVAL TOOL	
								scale	
								dwg no	
								sheet 2 of 2	
								size	
								A4	
								type	
								CUSTOMER Drawing	
sheet index		revision sheet		A 1		A 2			

