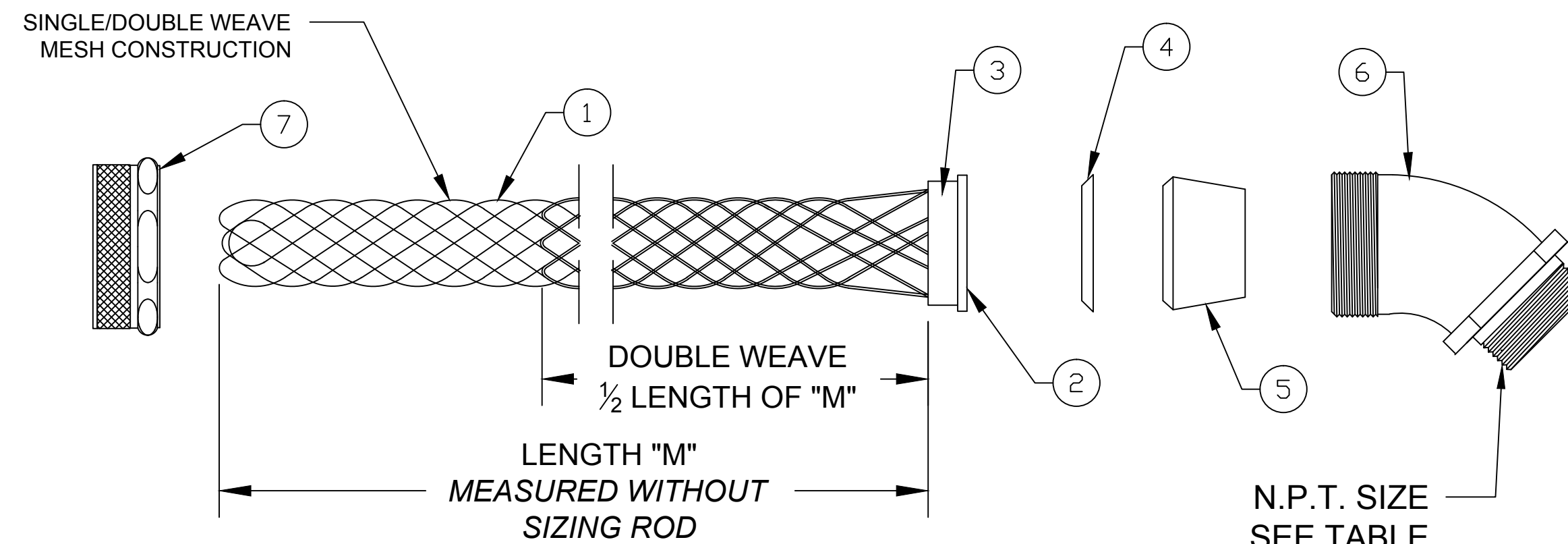
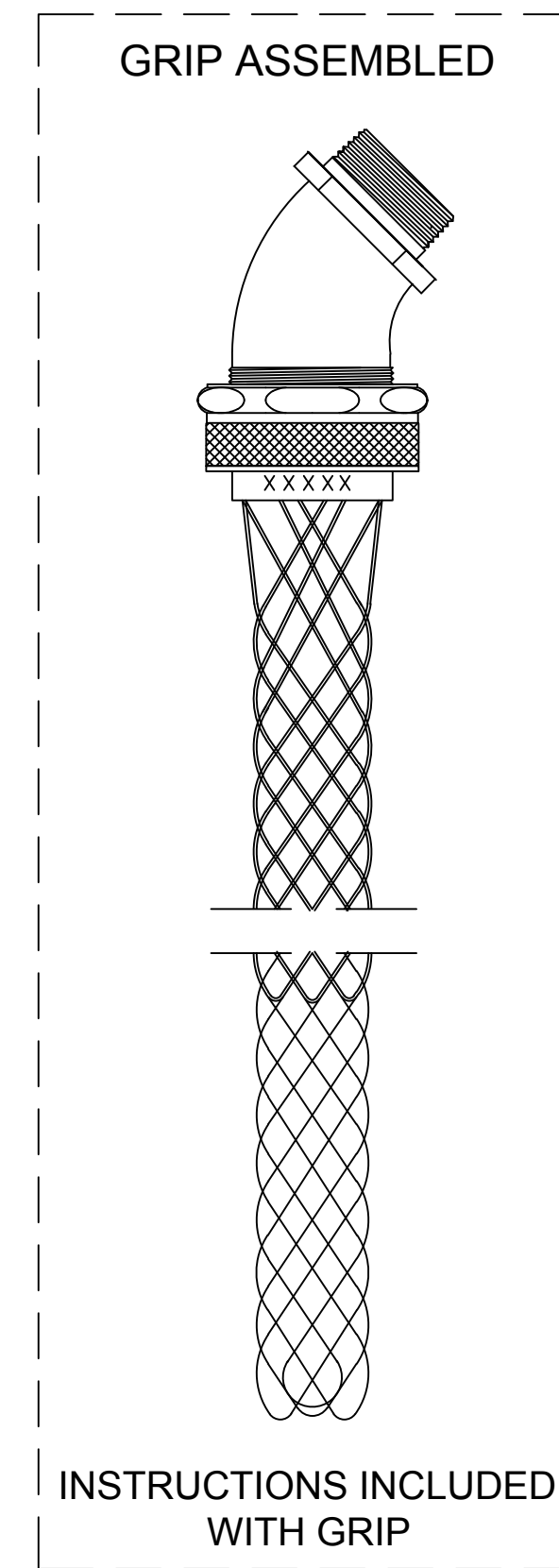


CATALOG NUMBER	MATERIAL NUMBER	CABLE RANGE	LENGTH "M"	N.P.T. FITTING SIZE	FORM SIZE	UL LISTED	CSA APPROVED	PRODUCT SELECTION NUMBER
36310	1300970197	.187-.250 / 4.75-6.35	4.250±0.500 / 107.95±12.70	1/2	2	UL	CSA	PG404-45
36312	1300970198	.250-.375 / 6.35-9.53	4.250±0.500 / 107.95±12.70					PG406-45
36314	1300970199	.375-.500 / 9.53-12.70	6.250±0.500 / 158.75±12.70					PG408-45
36316	1300970200	.500-.625 / 12.70-15.88	6.500±0.500 / 165.10±12.70					PG410-45
36825	-----	.187-.250 / 4.75-6.35	4.125±0.500 / 104.78±12.70	3/4	3	UL	CSA	PG604-45
36317	1300970201	.250-.375 / 6.35-9.53	4.250±0.500 / 107.95±12.70					PG606-45
36319	1300970202	.375-.500 / 9.53-12.70	6.000±0.500 / 154.40±12.70					PG608-45
36321	1300970203	.500-.625 / 12.70-15.88	6.250±0.500 / 158.75±12.70					PG610-45
36323	1300970204	.625-.750 / 15.88-19.05	8.500±1.000 / 209.55±25.40					PG612-45
36826	1300970629	.375-.500 / 9.53-12.70	5.750±0.500 / 146.05±12.70	1	4	UL	CSA	PG809-45
36827	1300970294	.500-.625 / 12.70-15.88	5.750±0.500 / 146.05±12.70					PG811-45
36326	1300970205	.625-.750 / 15.88-19.05	6.500±0.500 / 165.10±12.70					PG812-45
36328	1300970206	.750-.875 / 19.05-22.23	8.500±1.000 / 209.55±25.40					PG814-45
36330	1300970207	.875-1.000 / 22.23-25.40	9.250±1.000 / 234.95±25.40					PG816-45



ITEM	DESCRIPTION	MATERIAL
1	WIRE MESH	STAINLESS STEEL
2	INNER RING	ALUMINUM
3	OUTER RING	ALUMINUM
4	FRICTION RING	ZINC PLATED STEEL
5	GROMMET	RUBBER
6	THREADED BODY	ALUMINUM
7	COMPRESSION NUT	ALUMINUM

36826 5.75" WAS 9.25" EC NO: IPG2017-0557 DRWN: BPATTERS 12/1/16 CHKD: --- APPR: HKNEELAN 2016/05/04 DESCRIPTION REV	QUALITY SYMBOL	GENERAL TOLERANCES (UNLESS SPECIFIED)	DIMENSION STYLE INCH/MM	SCALE NTS	DESIGN UNITS INCH	THIRD ANGLE PROJECTION
	▽=0	4 PLACES ±--- ±---	DRAWN BY DATE	TITLE	MOLEX INCORPORATED	SHEET NO. 1 OF 1
	∇=0	3 PLACES ±--- ±.005	HRUIZ01 2014/10/17			
		2 PLACES ±.13 ±.010	CHECKED BY DATE	STRAIN RELIEF DELUXE 45 DEGREE MALE 1/2" TO 1" N.P.T.		
	1 PLACE ±.25 ±.020	APPROVED BY DATE	MOLEX INCORPORATED			
		ANGULAR ±1/2°	JFMURPHY 2016/05/04	DOCUMENT NO. SD-130097-110		
		DRAFT WHERE APPLICABLE MUST REMAIN WITHIN DIMENSIONS	MATERIAL NO. SEE TABLE			
			SIZE C	THIS DRAWING CONTAINS INFORMATION THAT IS PROPRIETARY TO MOLEX INCORPORATED AND SHOULD NOT BE USED WITHOUT WRITTEN PERMISSION		