

PCI SA-7520R

Isolated RS-232 to RS-485 Converter Card

PCI SA-7520AR

Isolated RS-232 to RS-422/485 Converter Card



Features ▶▶▶▶

- True RS-485 Star Wiring Hub
- Power and data flow indicator for troubleshooting
- Easy-to-use rotary switch for fixed baud rate setting, 1200 ~ 115200 bps
- Power Input, +10 ~ +30 V_{DC}
- Independent RS-485 driver for each channel
- Automatic RS-485 Direction Control
- 120 Ω termination resistor for each channel
- Operating Temperatures, -25 °C ~ +75 °C
- DIN-Rail

Introduction

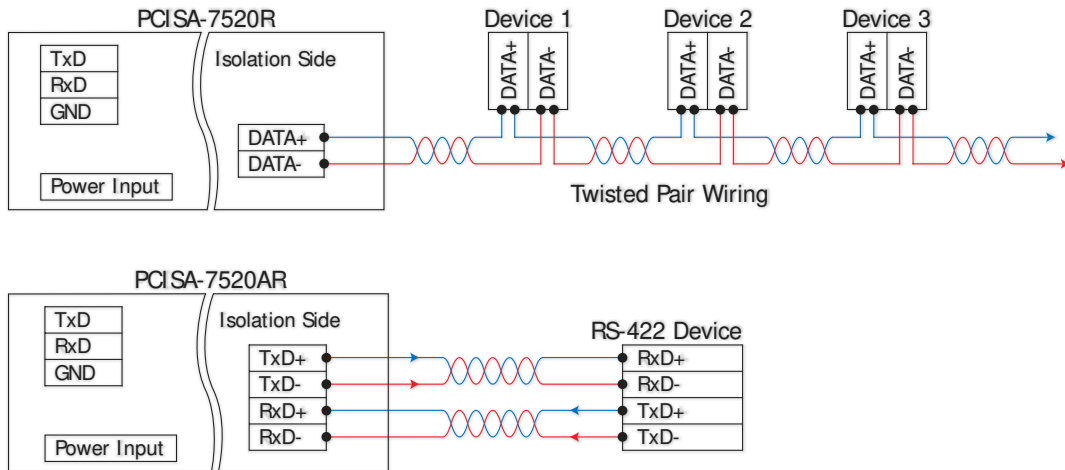
The PCISA-7520 series card provides RS-232 to RS-485 (or RS-422) converter function that is exactly the same as I-7520 series. It is designed for easy installation, powered from the PCI or ISA Interface but without PCI and ISA functions. The PCISA-7520 series is equipped with both an RS-232 serial port and an RS-485 serial port. The RS-232 port is designed to communicate with the local Host PC, the RS-485 is designed to communicate with the remote IO module.

For adding more serial ports to a PC, please refer to VXC/VEX series cards.
http://www.icpdas.com/products/Industrial/multi_serial/multi_introductions.htm

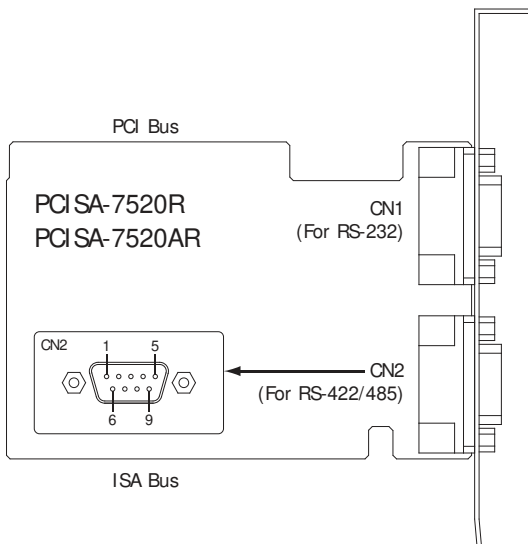
System Specifications

Models	PCISA-7520R	PCISA-7520AR
Interface		
Serial Interface	RS-232	TxD, RxD, GND
	RS-422	-
	RS-485	Data+, Data- The RS-422 and RS-485 cannot be used simultaneously
2-wire Cabling/4-wire Cabling	Belden 8941 (2P twisted-pair cable)/Belden 8942 (4P twisted-pair cable), when different cables are used, the transmission distance may change	
Transfer Distance	Max. 1,200 m at 9.6 kbps; Max. 400 m at 115.2 kbps	
Max. Devices Supported	256 (Without repeater)	
Self-Tuner Asic Inside	Yes	
Speed	300 ~ 115200 bps	
ESD Protection	Yes	
Isolated Voltage	3000 V _{DC} on the RS-422/485 side	
Connection	RS-232	9-Pin Female D-Sub x 1
	RS-422/485	9-Pin Male D-Sub x 1
Power		
Input Voltage Range	+5 V _{DC} from the PC	
Power Consumption	1.0 W	
Mechanical		
Dimensions (L x W x D)	118 mm x 72 mm x 22 mm	
Environment		
Operating Temperature	0 °C ~ +50 °C	
Storage Temperature	-20 °C ~ +70 °C	
Humidity	0 ~ 90% RH, non-condensing	

Applications

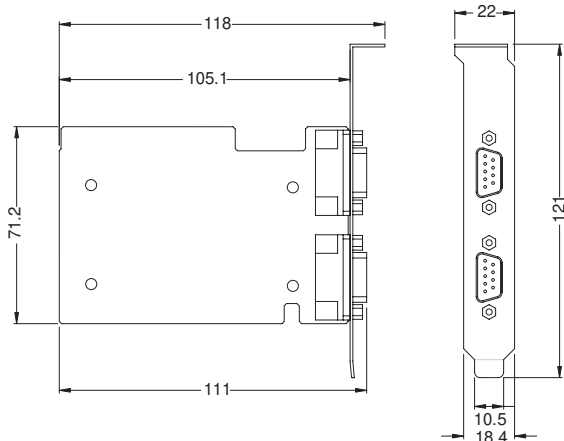


Pin Assignments



PCI SA-7520R		PCI SA-7520AR	
Pin	2-wire for RS-485	Pin	2-wire for RS-485 / 4-wire for RS-422
01	DATA+	01	DATA+ / Tx+
02	DATA+	02	DATA+ / Tx+
03	NC	03	NC
04	NC	04	NC / Rx+
05	NC	05	NC
06	DATA-	06	DATA- / Tx-
07	DATA-	07	DATA- / Tx-
08	NC	08	NC
09	NC	09	NC / Rx-

Dimensions (Unit: mm)



Ordering Information

PCI SA-7520R CR	Isolated RS-232 to RS-485 Converter Card (RoHS)
PCI SA-7520AR CR	Isolated RS-232 to RS-422/485 Converter Card (RoHS)

Accessories

I-7510 CR	Isolated RS-485 Repeater (RoHS)
I-7510A CR	Isolated RS-422/485 Repeater (RoHS)
CA-0915	9-Pin Male-Female D-Sub Cable, 1.5 m