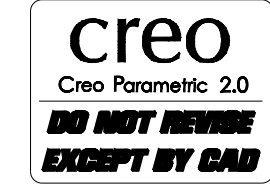
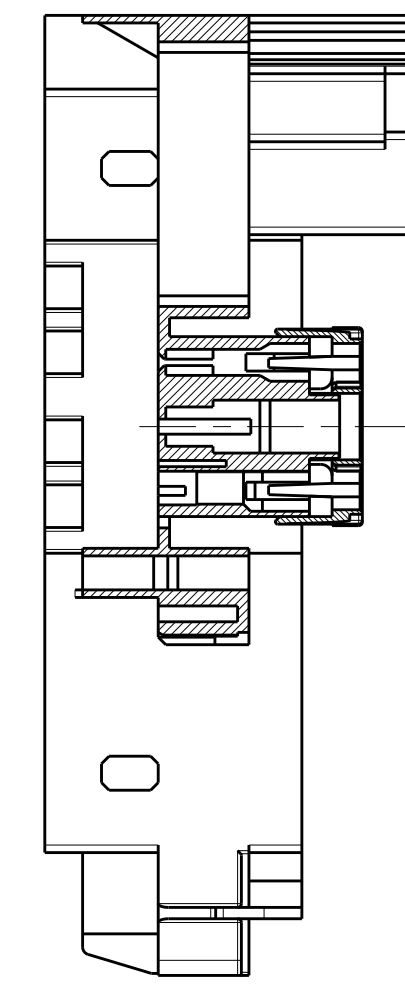
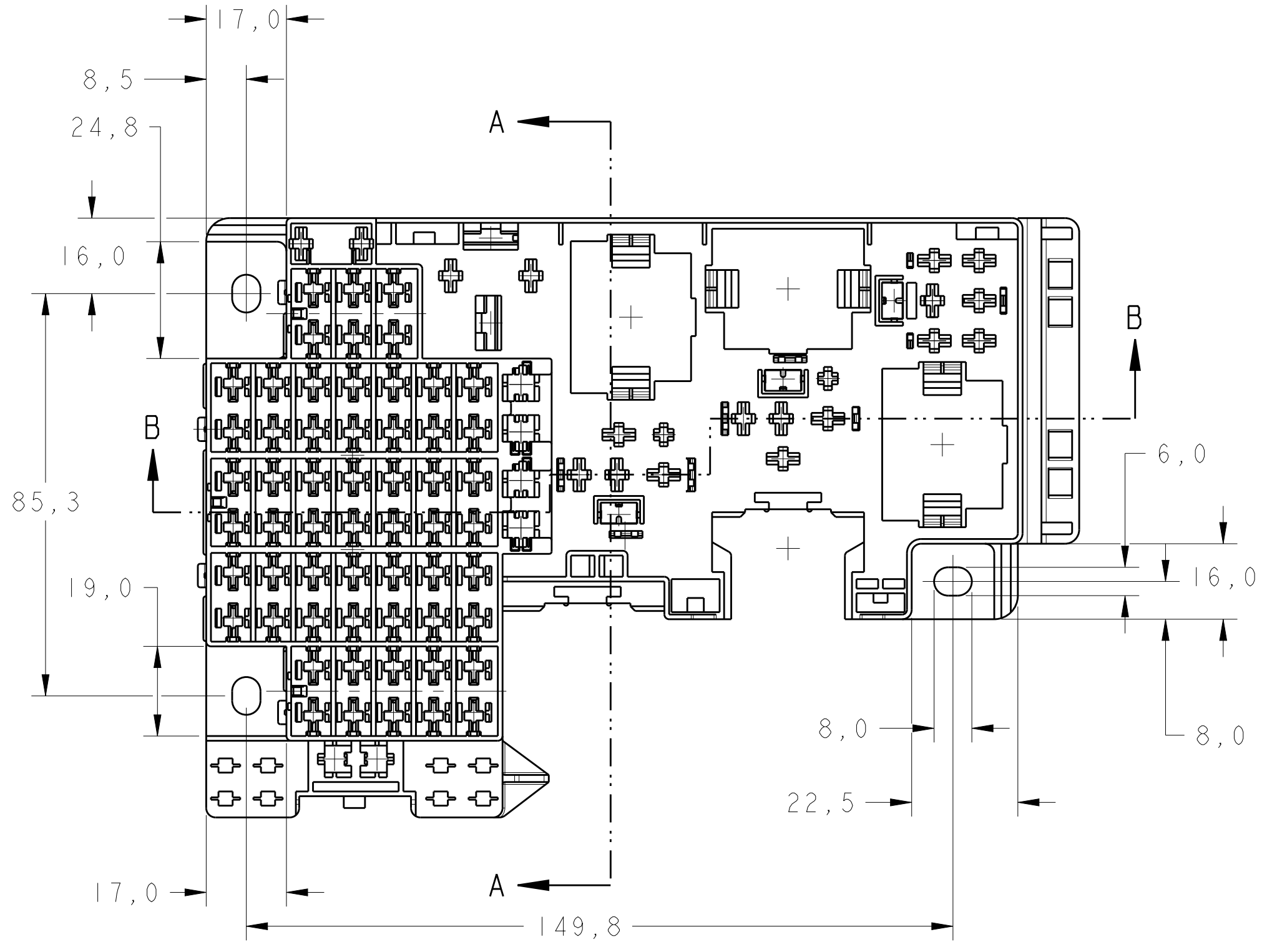


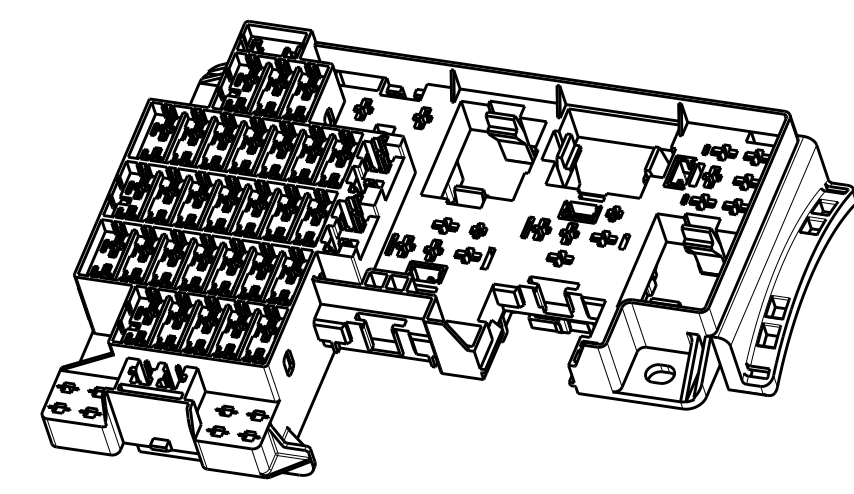
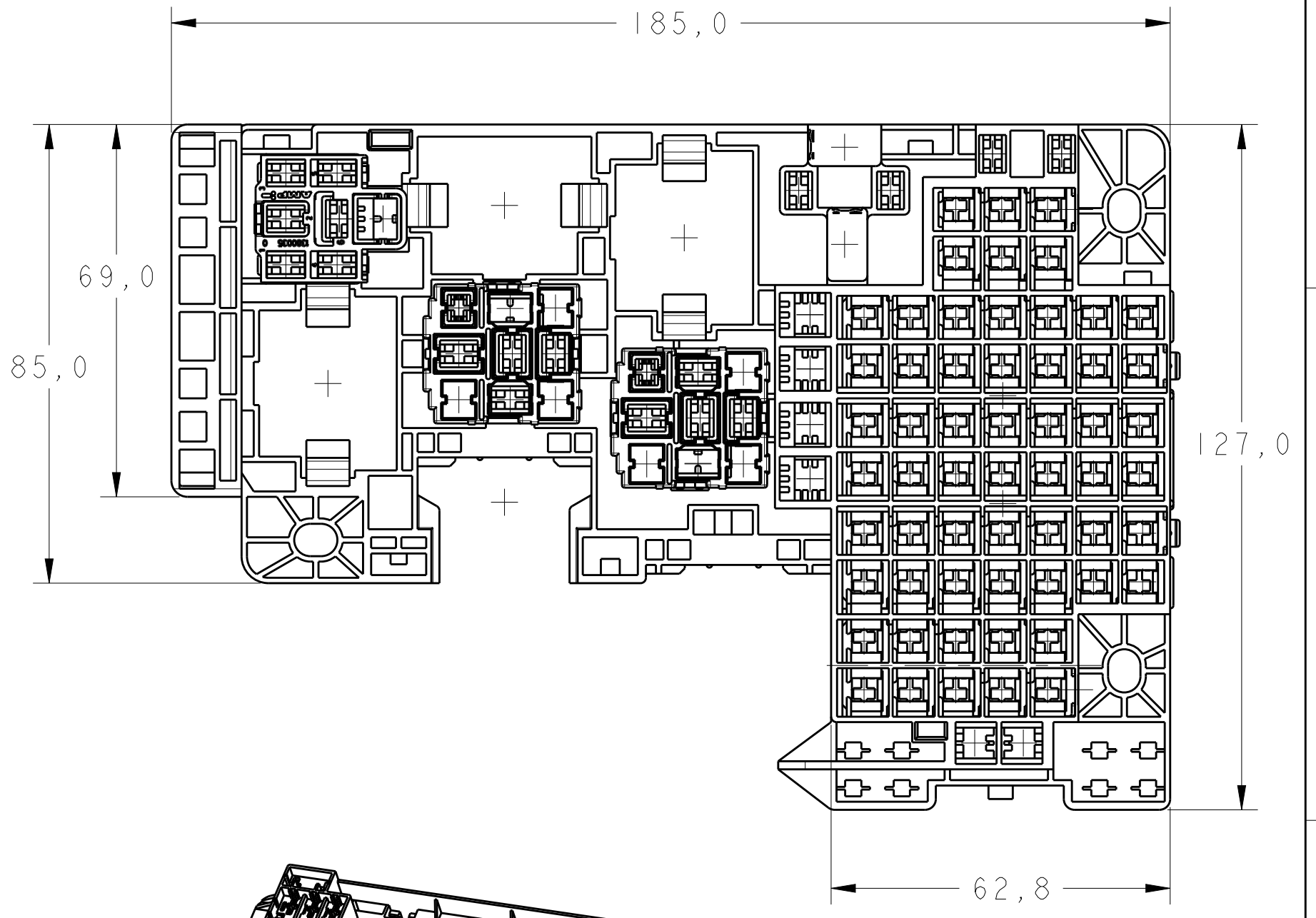
THIS DRAWING IS UNPUBLISHED. RELEASED FOR PUBLICATION 20
 © COPYRIGHT 20 BY - ALL RIGHTS RESERVED.



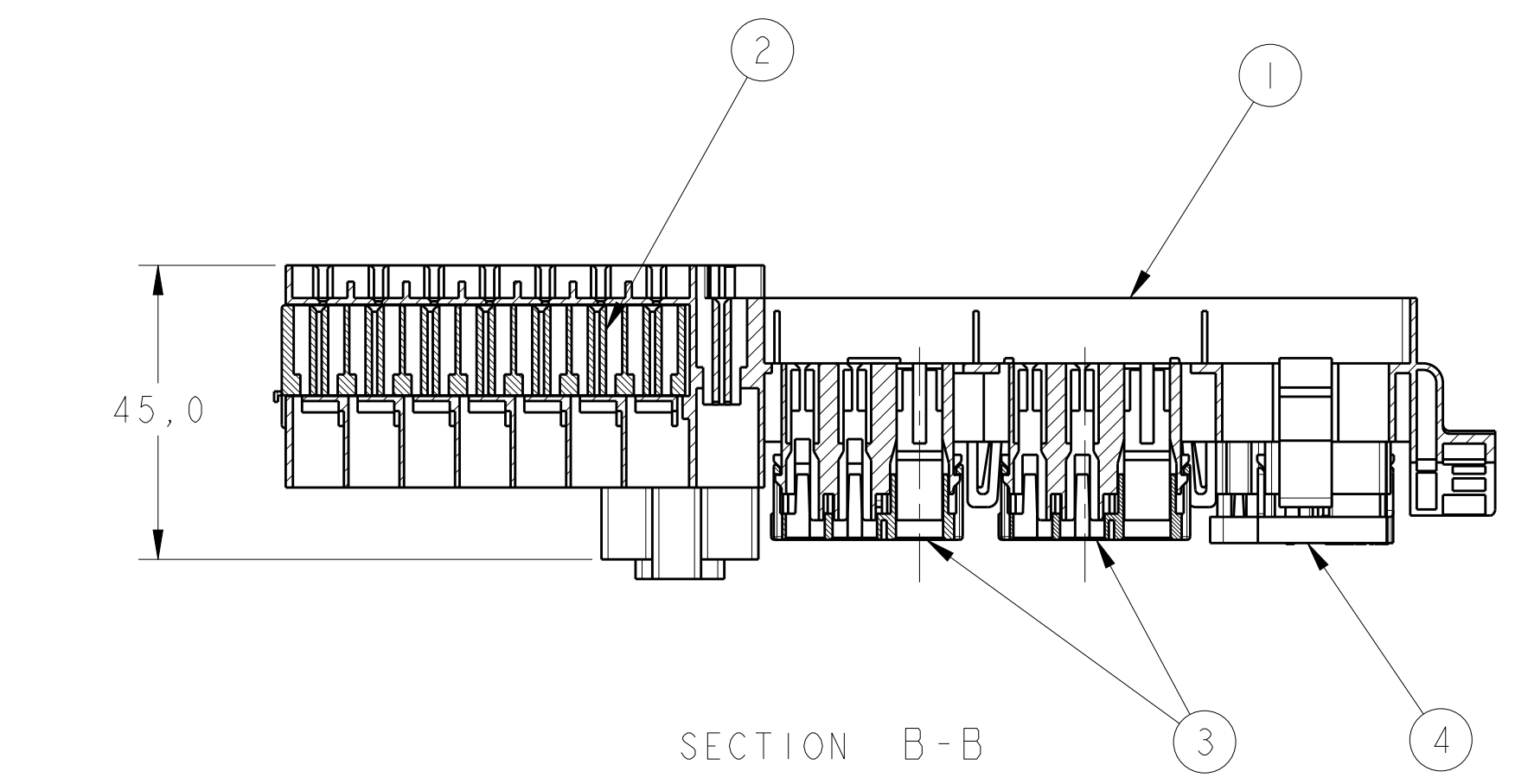
REVISIONS					
P	LTR	DESCRIPTION	DATE	DWN	APVD
C		REVISED DESIGN ECO-13-018731	03DEC2013	NCL	GOJ



SECTION A-A



PERSPECTIVE VIEW
SCALE 1:2



SECTION B-B

GRAVAÇÃO MARKING	
LOGOTIPO TE	TE LOGO
CÓDIGO PAÍS PRODUTOR	MANUFACTURER COUNTRY CODE
NOMENCLATURA MATERIAL	MATERIAL NOMENCLATURE
NÚMERO COMPONENTE TE	TE COMPONENT NUMBER
LOGOTIPO CLIENTE	CUSTOMER LOGO
PAÍS PRODUTOR	MANUFACTURER COUNTRY
REV+ LETRA REV.DA PEÇA	REV.+ PART REV.LETTER

REQ. PER ASSY	ITEM	DESCRIPTION	MATERIAL	FINISH
1	4	SECONDARY LOCK	PA 6.6 + 15% GF	NATURAL
2	3	LOCKING COVER	PA6-20%GB+10%GF	NATURAL
1	2	SPACER FUSE	PA 6.6 + 30% MD	NATURAL
1	1	FUSE BOX FRAME	PA 6.6 + 30% MD	PRETO / BLACK

THIS DRAWING IS A CONTROLLED DOCUMENT.		DWN N.C.LAPRESA 05MAY2004	 TE Connectivity
DIMENSIONS: mm		CHK P.L.FARIA 05MAY2004	
TOLERANCES UNLESS OTHERWISE SPECIFIED:		APVD N.M.SANTOS 05MAY2004	
0 PLC ± 1 PLC ±0,3 2 PLC ± 3 PLC ± 4 PLC ± ANGLES ±1° FINISH		NAME - FUSE BOX ASSY	
MATERIAL SEE TABLE		PRODUCT SPEC -	SIZE A2
		APPLICATION SPEC -	CAGE CODE -
		WEIGHT -	DRAWING NO C-1480837
		CUSTOMER DRAWING	RESTRICTED TO -
SCALE 1:1			SHEET OF REV C