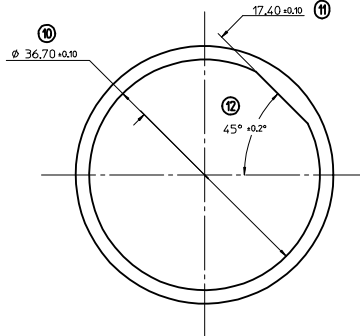
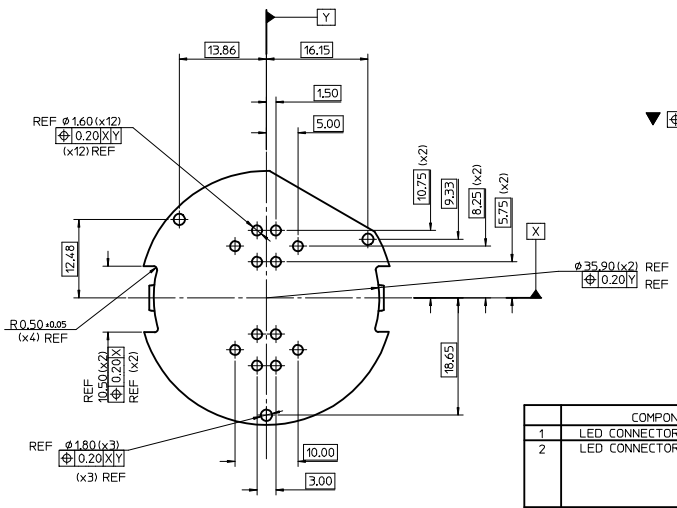


DETAIL 1

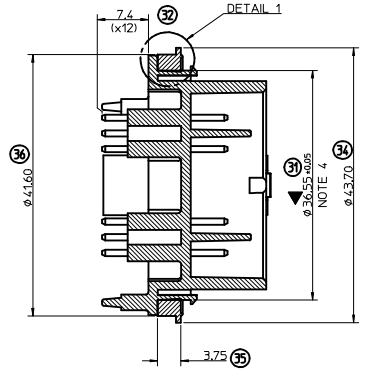
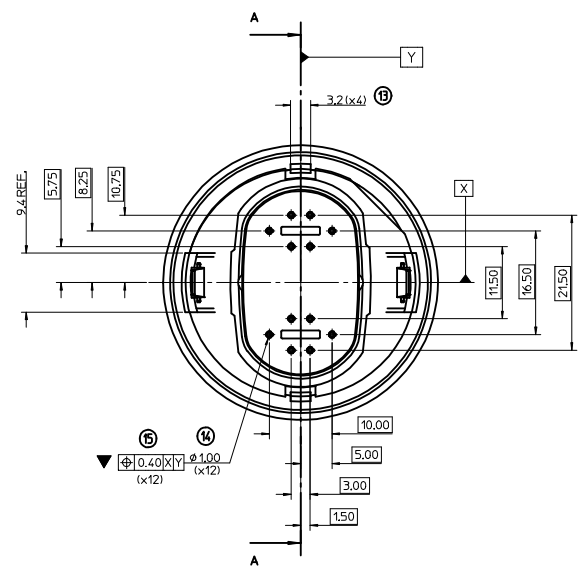
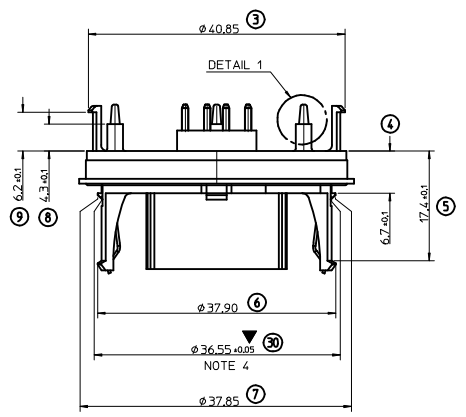


RECOMMENDED PANEL OPE VIEW FROM CABLE SIDE

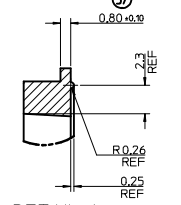
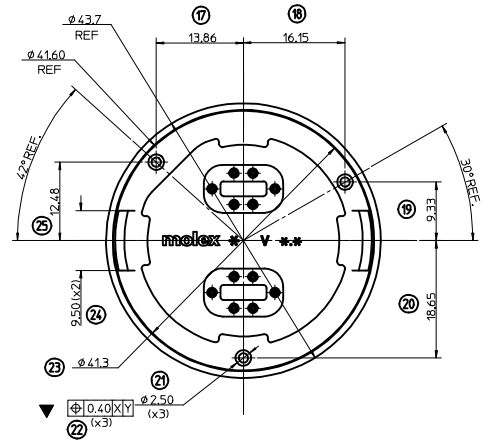


RECOMMENDED PCB LAYOUT, VIEW TOP SIDE
RECOMMENDED PCB THICKNESS 1.6 mm

COMPONENT	DESCRIPTION
1 LED CONNECTOR TOP	PBT 30% GF. COLOUR BLACK
2 LED CONNECTOR PIN	PHOSPHOR BRONZE PLATING: NICKEL ALL OVER Au OVER PdNi IN SELECTED AREAS
3 LED CONNECTOR SEAL	TPE, COLOUR NATURAL
4 LED CONNECTOR SPRING	STAINLESS STEEL



A-A



DETAIL 1

NOTES

- SEE CHART FOR MATERIAL AND PLATING INFORMATION
 - PACKAGING: SEE PK-93056-001
 - SEE PRODUCT SPEC PS-93056-001
 - DIAMETER MEASURED AT TOP LAST INSPECTION NUMBER USED 31
- DELETED INSPECTION NUMBER 16 & 26
ADDED INSPECTION NUMBERS 30, 31, 32, 33, 34, 35, 36 & 37

ADDED SHEET 2
EC NO: IPG2015-185Z
DRAWN BY: DRWINDMAHER
CHKD: MSHANAHAN
APP/PRG:R/IFF:IN
REV: 2015/08/19

QUALITY SYMBOLS
▽=4
▽=0

	GENERAL TOLERANCES (UNLESS SPECIFIED)	
	mm	INCH
4 PLACES ±	---	---
3 PLACES ±	---	---
2 PLACES ±	0.15	---
1 PLACE ±	0.3	---
	ANGULAR ± 2°	

DRAFT WHERE APPLICABLE MUST REMAIN WITHIN DIMENSIONS

DIMENSION STYLE: MM ONLY
SCALE: 2.5:1
DESIGN UNITS: METRIC
DRAWN BY: DMAHER
DATE: 7/11/2007
CHECKED BY: MSHANAHAN
DATE: 7/11/2007
APPROVED BY: EFOLAN
DATE: 7/11/2007

THIRD ANGLE PROJECTION

TITLE: LED CONNECTOR ASSEMBLY

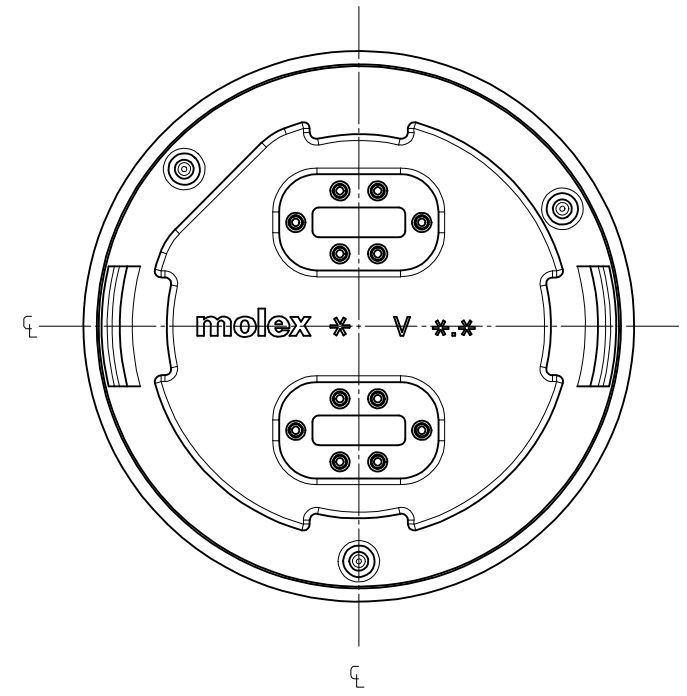
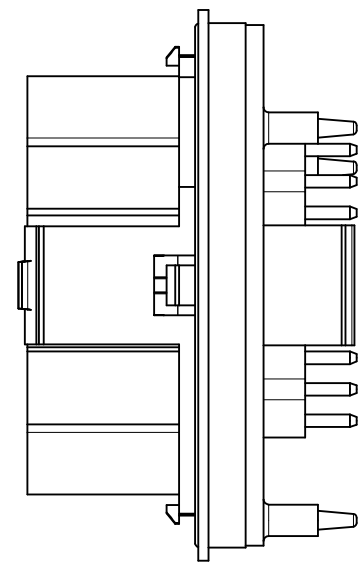
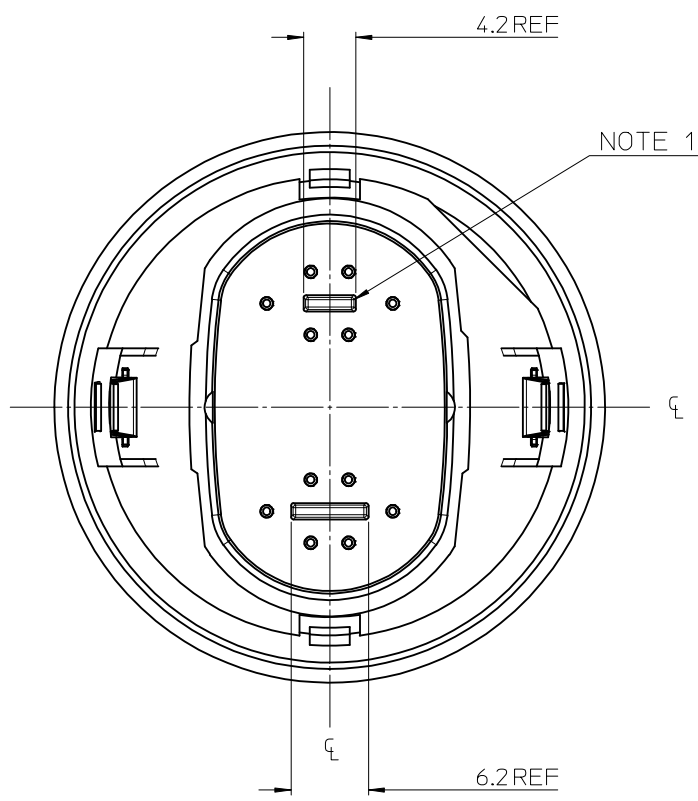
MATERIAL NO: 930560021
DOCUMENT NO: SD-93056-002

MATERIAL NO: 930560021
DOCUMENT NO: SD-93056-002

SHEET NO: 1 OF 2

THIS DRAWING CONTAINS INFORMATION THAT IS PROPRIETARY TO MOLEX INCORPORATED AND SHOULD NOT BE USED WITHOUT WRITTEN PERMISSION

10 9 8 7 6 5 4 3 2 1



NOTES

1. POLARIZING FEATURE
2. FOR ALL OTHER DIMENSIONS AND SPECIFICATIONS SEE SHEET 1

ADDED OPTION EC NO: IPG2015-1852 DRWN:DMAHER 2015/05/08 CHKD: APPR:STGRIFFIN 2015/08/19	QUALITY SYMBOLS	GENERAL TOLERANCES (UNLESS SPECIFIED)	DIMENSION STYLE	SCALE	DESIGN UNITS	THIRD ANGLE PROJECTION
	▼=0 Ⓢ=0	mm INCH 4 PLACES ± --- ± --- 3 PLACES ± --- ± --- 2 PLACES ± 0.15 ± --- 1 PLACE ± 0.3 ± --- 0 PLACE ± ±	MM ONLY	2.5:1	METRIC	☉ ▽ □ THIRD ANGLE PROJECTION
	DESCRIPTION	ANGULAR ± 2 ° DRAFT WHERE APPLICABLE MUST REMAIN WITHIN DIMENSIONS	DRAWN BY: DMAHER CHECKED BY: MSHANAHAN APPROVED BY: EFOLAN DATE: 7/11/2007	TITLE		LED CONNECTOR ASSEMBLY
	REV		MATERIAL NO. 930560605 SIZE A3 THIS DRAWING CONTAINS INFORMATION THAT IS PROPRIETARY TO MOLEX INCORPORATED AND SHOULD NOT BE USED WITHOUT WRITTEN PERMISSION	DOCUMENT NO. SD-93056-002	SHEET NO. 2 OF 2	

9 8 7 6 5 4 3 2 1