

Fused, Dead Front, Pull-Apart Switches

600 VAC; 30 Amps

15149 Series



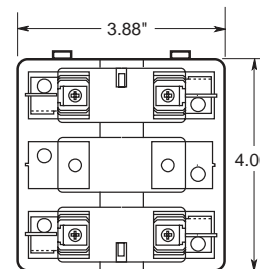
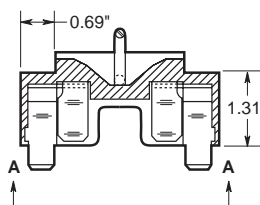
CATALOG SYMBOL: 15149
 0 TO 30 AMPS
 600 VAC
 U.L. RECOGNIZED
 (GUIDE # WGEU2, FILE # E116716)
 CSA CERTIFIED
 (CLASS 6228-01, FILE # 37129)

Specifications

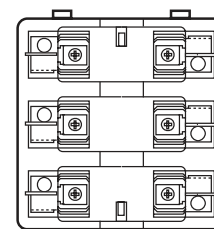
Voltage Rating	600 VAC (maximum)
Current Rating	0 to 30 A
Motor Rating	5 HP
Dielectric Withstand	2200 V
Current Withstand	200,000 RMS Symmetrical Amperes

- 600 VAC; 30A Ratings.
- Available with 2 or 3 poles.
- Class J fuses; LPJ and JKS.
- Fuse holders in the pull-out head eliminate possibility of electric shock while changing fuse.
- U.L. Recognized file E87131 for General Industrial installations.
- CSA Certified file LR37129-6.

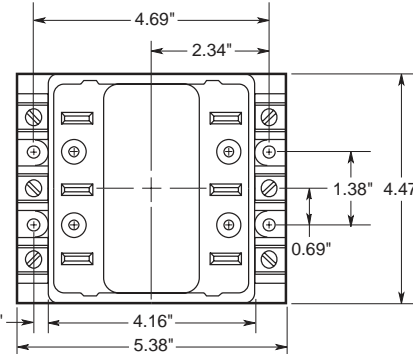
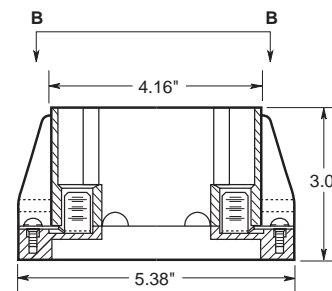
Dimensional Data



VIEW A-A (15149-2)
2-POLE



VIEW A-A (15149-3)
3-POLE



VIEW B-B
MOUNTING HOLES

The only controlled copy of this BIF document is the electronic read-only version located on the Bussmann Network Drive. All other copies of this BIF document are by definition uncontrolled. This bulletin is intended to clearly present comprehensive product data and provide technical information that will help the end user with design applications. Bussmann reserves the right, without notice, to change design or construction of any products and to discontinue or limit distribution of any products. Bussmann also reserves the right to change or update, without notice, any technical information contained in this bulletin. Once a product has been selected, it should be tested by the user in all possible applications.