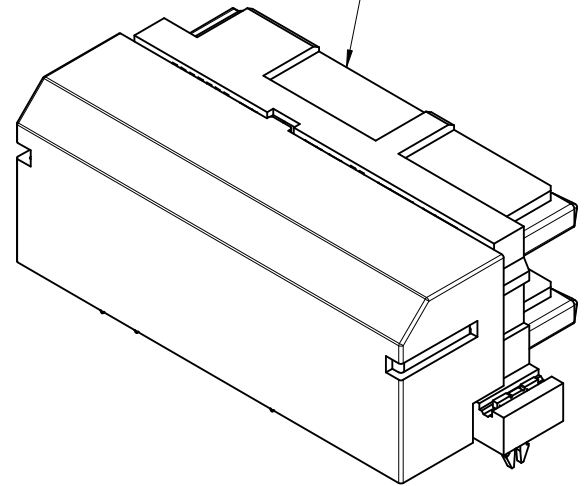
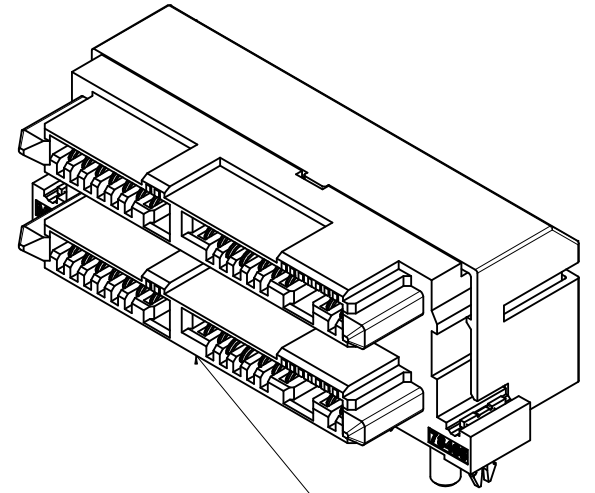
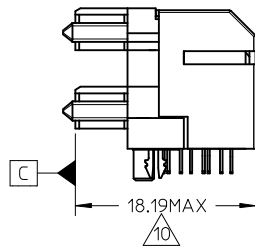
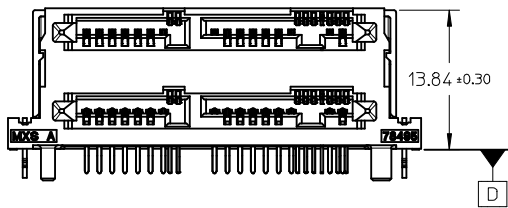
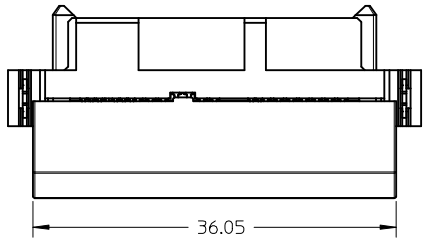
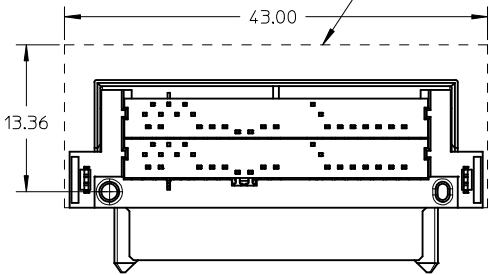


ADD PINCOVER EC NO: S2010-0900 DRWN: JYAP CHKD: CGOH APPR: BOKOK	2010/09/24	QUALITY SYMBOLS $F_A=0$ $F_G=0$ $F_P=0$	GENERAL TOLERANCES (UNLESS SPECIFIED)		DIMENSION STYLE MM ONLY		SCALE NTS	DESIGN UNITS METRIC	THIRD ANGLE PROJECTION
	2010/10/12		mm	INCH	DRAWN BY KHLIM	DATE 2009/10/12	TITLE MICRO SAS RECEPTACLE DUAL STACK R/A T/H 7.8MM HEIGHT		
	2010/10/13		4 PLACES ± ---	± ---	CHECKED BY CGOH	DATE 2009/12/03	MOLEX INCORPORATED DOCUMENT NO. SD-78495-001		
			3 PLACES ± ---	± ---	APPROVED BY BOKOK	DATE 2009/12/03		SHEET NO. 3 OF 5	
A	DESCRIPTION	ANGULAR ± 3 °	DRAFT WHERE APPLICABLE MUST REMAIN WITHIN DIMENSIONS		SIZE A3	THIS DRAWING CONTAINS INFORMATION THAT IS PROPRIETARY TO MOLEX INCORPORATED AND SHOULD NOT BE USED WITHOUT WRITTEN PERMISSION			

10 9 8 7 6 5 4 3 2 1

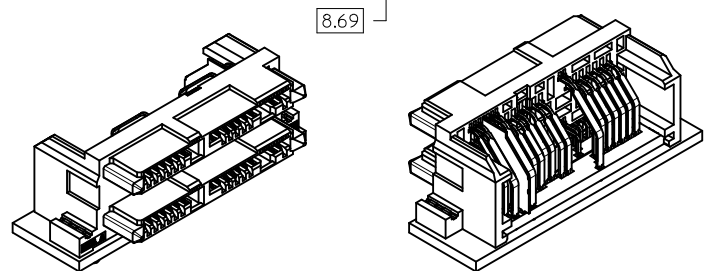
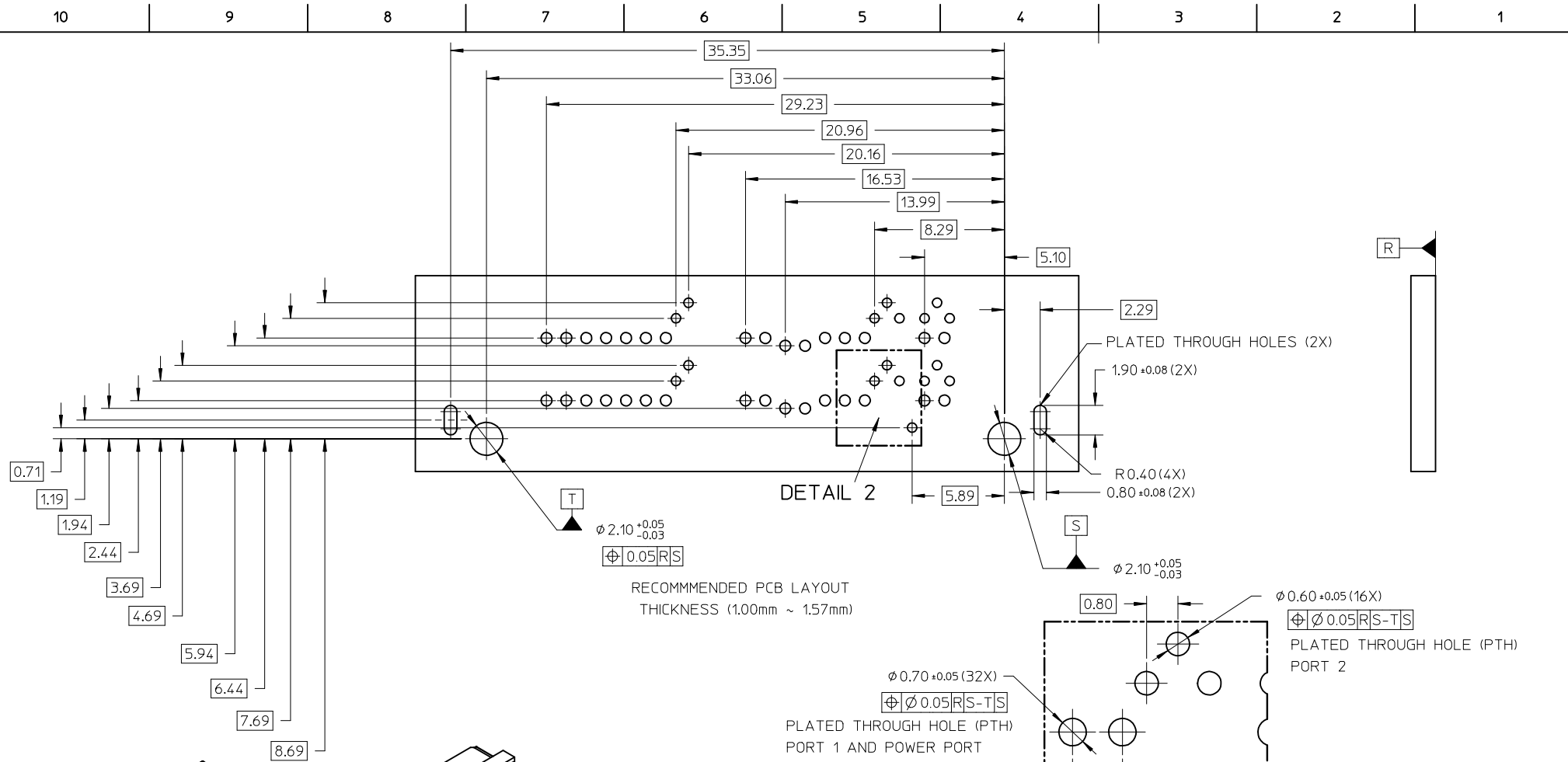


RECOMMENDED KEEP OUT AREA



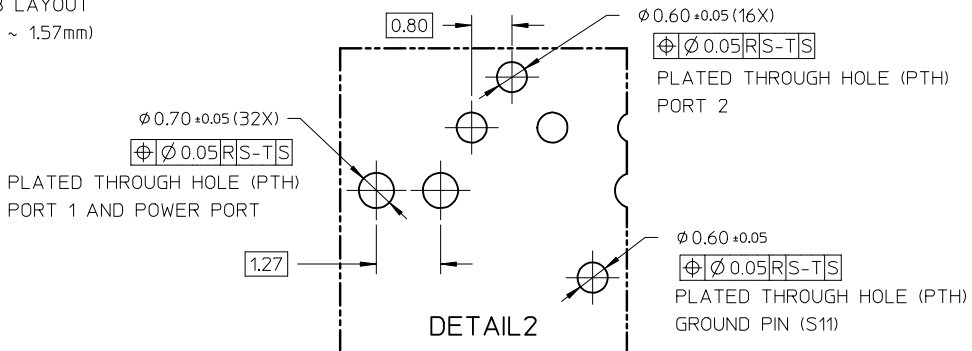
ADD PINCOVER EC NO: S2010-0900 DRWN:WJAP 2010/09/24 CHKD:CGOH 2010/10/12 APPR:BOKOK 2010/10/13	QUALITY SYMBOLS	GENERAL TOLERANCES (UNLESS SPECIFIED)		DIMENSION STYLE	SCALE	DESIGN UNITS	THIRD ANGLE PROJECTION
	$\nabla_A = 0$ $\nabla_C = 0$ $\nabla_P = 0$	mm	INCH	MM ONLY	NTS	METRIC	
		4 PLACES	± ---	± ---	DRAWN BY	DATE	TITLE
		3 PLACES	± ---	± ---	KHL IM	2009/10/12	MICRO SAS RECEPTACLE DUAL STACK R/A T/H 7.8MM HEIGHT
	2 PLACES	± 0.20	± ---	CHECKED BY	DATE		
	1 PLACE	± ---	± ---	CGOH	2009/12/03		
		ANGULAR ± 3 °		APPROVED BY	DATE		
		DRAFT WHERE APPLICABLE MUST REMAIN WITHIN DIMENSIONS		BOKOK	2009/12/03		
				MATERIAL NO.		DOCUMENT NO.	SHEET NO.
				78495-0001		SD-78495-001	4 OF 5
				SIZE	THIS DRAWING CONTAINS INFORMATION THAT IS PROPRIETARY TO MOLEX INCORPORATED AND SHOULD NOT BE USED WITHOUT WRITTEN PERMISSION		
				A3			

9 8 7 6 5 4 3 2 1



ASSEMBLY WITHOUT PINCOVER

RECOMMENDED PCB LAYOUT
THICKNESS (1.00mm ~ 1.57mm)



ADD PINCOVER EC NO: S2010-0900 DRWN:WJAP CHKD:CGOH APPR:BOKOK	2010/09/24 2010/10/12 2010/10/13	DESCRIPTION ADD PINCOVER	QUALITY SYMBOLS	GENERAL TOLERANCES (UNLESS SPECIFIED)	DIMENSION STYLE	SCALE	DESIGN UNITS	THIRD ANGLE PROJECTION
			$F_A=0$ $F_G=0$ $F_P=0$	mm INCH	MM ONLY	NTS	METRIC	
			4 PLACES ± --- ± --- 3 PLACES ± --- ± --- 2 PLACES ± 0.20 ± --- 1 PLACE ± --- ± ---	DRAWN BY: KHL IM DATE: 2009/10/12 CHECKED BY: CGOH DATE: 2009/12/03 APPROVED BY: BOKOK DATE: 2009/12/03	TITLE	MICRO SAS RECEPTACLE DUAL STACK R/A T/H 7.8MM HEIGHT		
			ANGULAR ± 3 °	MATERIAL NO. 78495-0001 DOCUMENT NO. SD-78495-001	MOLEX INCORPORATED			
DRAFT WHERE APPLICABLE MUST REMAIN WITHIN DIMENSIONS	SIZE A3	THIS DRAWING CONTAINS INFORMATION THAT IS PROPRIETARY TO MOLEX INCORPORATED AND SHOULD NOT BE USED WITHOUT WRITTEN PERMISSION						