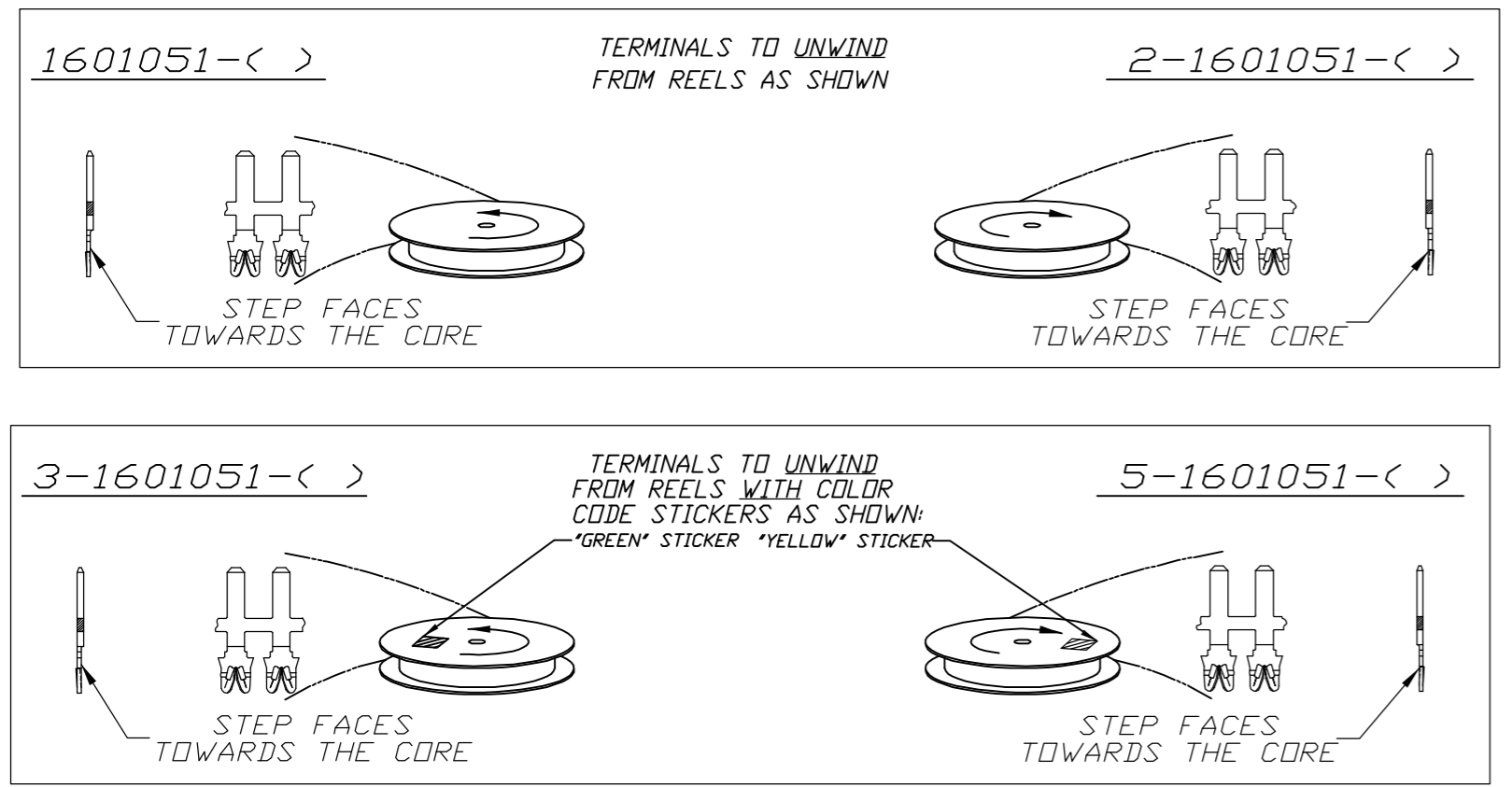
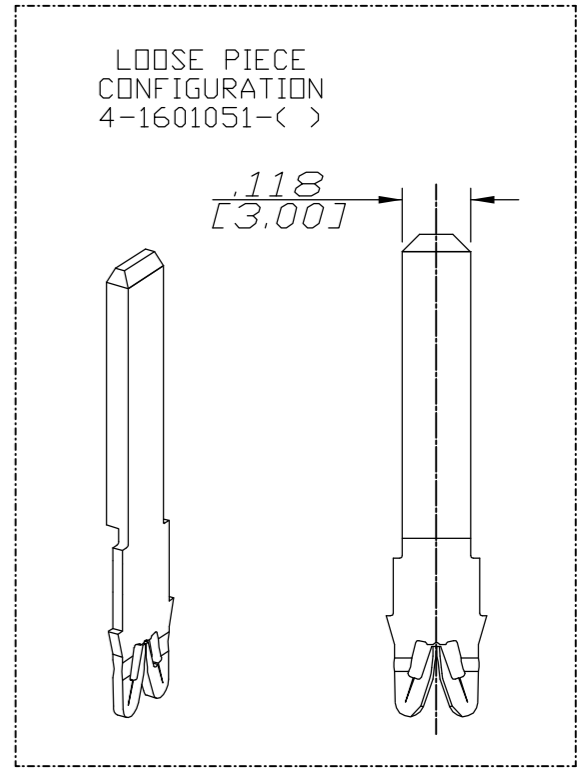
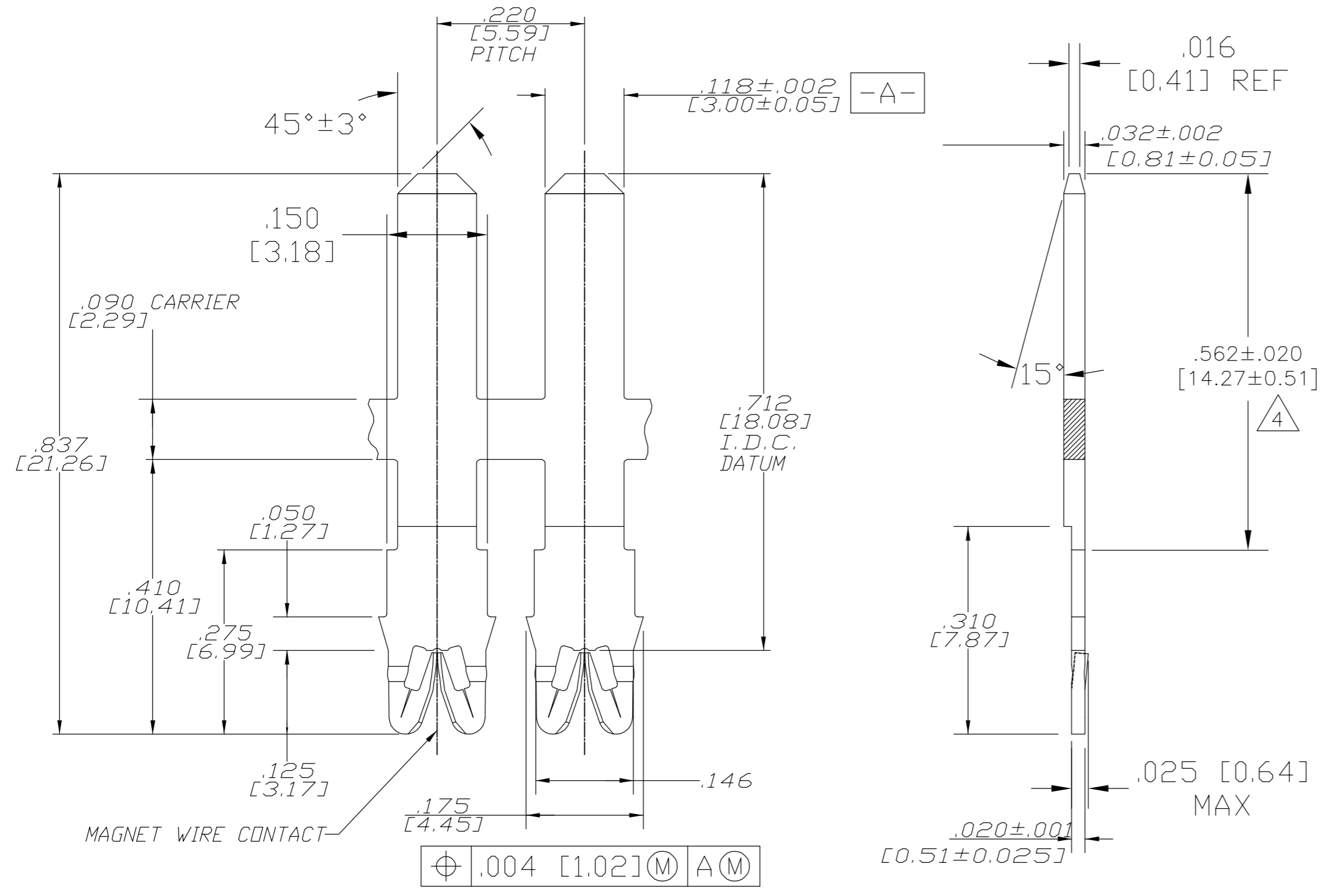


THIS DRAWING IS UNPUBLISHED. RELEASED FOR PUBLICATION
 © COPYRIGHT BY TYCO ELECTRONICS CORPORATION. ALL RIGHTS RESERVED.

LOC		DIST		REVISIONS			
P	LTR	DESCRIPTION		DATE	DWN	APVD	
AF	50	E1	REVISED PER ECR 05-008133	19AUG05	JR	KR	

1. SPECIFICATIONS:
 MAGNET WIRE #18 - #34 AWG,
 .040"(.02mm)-.006"(.16mm) DIA. COPPER
 OTHER SIZES MAY BE ACCOMMODATED,
 CONSULT TYCO ELECTRONICS FOR APPROVAL.
2. POCKET RECOMMENDATION:
 #1601425
3. PRELIMINARY - NOT FOR PRODUCTION.
4. SELECTIVE PLATE THIS AREA:
 .000030 [0.00076] MIN GOLD PLATE OVER
 .000050 [0.00127] MIN NICKEL UNDERPLATE
 OVER ENTIRE TERMINAL.



FINISH	REFERENCE PART NUMBER	TYCO PART NUMBER
Pre-Tin Plate over Copper Underplate	-	2-1601051-2
4	-	3 1601051-3
UNPLATED	-	3 1601051-1
Pre-Tin Plate over Copper Underplate	-	3 5-1601051-2
Pre-Tin Plate over Copper Underplate	-	3 3-1601051-2
Pre-Tin Plate over Copper Underplate	031-113-014	4-1601051-2
Pre-Tin Plate over Copper Underplate	131-113-014	1601051-2
FINISH		TYCO PART NUMBER
THIS DRAWING IS A CONTROLLED DOCUMENT.		DWN J.WELLER 11JAN2002
DIMENSIONS: INCHES		CHK M.FEHER 11JAN2002
TOLERANCES UNLESS OTHERWISE SPECIFIED:		APVD K.RANDOLPH 11JAN2002
0 PLC ± -	1 PLC ± -	NAME
2 PLC ± .01[0.25]	3 PLC ± .005[0.13]	PRODUCT SPEC
4 PLC ± -	ANGLES ± 2°	108-2085
MATERIAL BRASS, 3/4 HARD	FINISH SEE TABLE	APPLICATION SPEC
CUSTOMER DRAWING		408-8629
SIZE A2	CAGE CODE 00779	DRAWING NO C=1601051
SCALE 1:1	SHEET 1 OF 1	RESTRICTED TO -
TYCO Electronics Tyco Electronics Corporation Harrisburg, Pa 17105-3608		STANDARD RANGE WIRE TO .118 X .032 TAB SIAMEZE TERMINAL
REV E1		