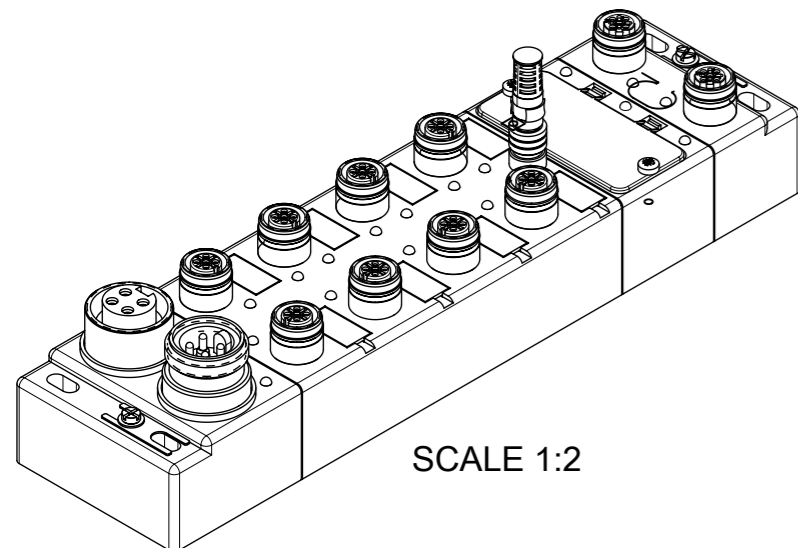


FIXING HOLES  
SUITABLE FOR M5  
SCREWS

FIXING HOLES  
SUITABLE FOR M5  
SCREWS



SCALE 1:2

SYMBOLS	THIS DRAWING CONTAINS INFORMATION THAT IS PROPRIETARY TO MOLEX ELECTRONIC TECHNOLOGIES, LLC AND SHOULD NOT BE USED WITHOUT WRITTEN PERMISSION		CURRENT REV DESC:		<b>molex</b>		
	DIMENSION UNITS	SCALE					
▽ = 0	mm		EC NO: 616956		DBO HARSH IO SAFETY 60/30 MM 7/8" 4P AC		
▽ = 0	GENERAL TOLERANCES (UNLESS SPECIFIED)		DRWN: ULETTENMEIER 2019/03/07		MA FE U12 5P 8PT AC FE U12 4P 2PT BC FE		
▽ = 0	ANGULAR TOL ±		CHK'D: RSILLER 2019/05/10		PRODUCT CUSTOMER DRAWING		
▽ = 0	4 PLACES ±		APPR: RSILLER 2019/05/10		DOCUMENT NUMBER		
▽ = 0	3 PLACES ±		INITIAL REVISION:		1120955087		
▽ = 0	2 PLACES ±		DRWN: ULETTENMEIER 2015/02/09		DOC TYPE		
▽ = 0	1 PLACE ±		APPR: RSILLER 2015/11/13		PSD		
▽ = 0	0 PLACES ± 0.1				DOC PART		
□ = 0	DRAFT WHERE APPLICABLE MUST REMAIN WITHIN DIMENSIONS		THIRD ANGLE PROJECTION		REVISION		
▽ = 0			DRAWING		B1		
			SERIES		MATERIAL NUMBER		
			A3-SIZE		CUSTOMER		
			112095		GENERAL MARKET		
					SHEET NUMBER		
					1 OF 3		



