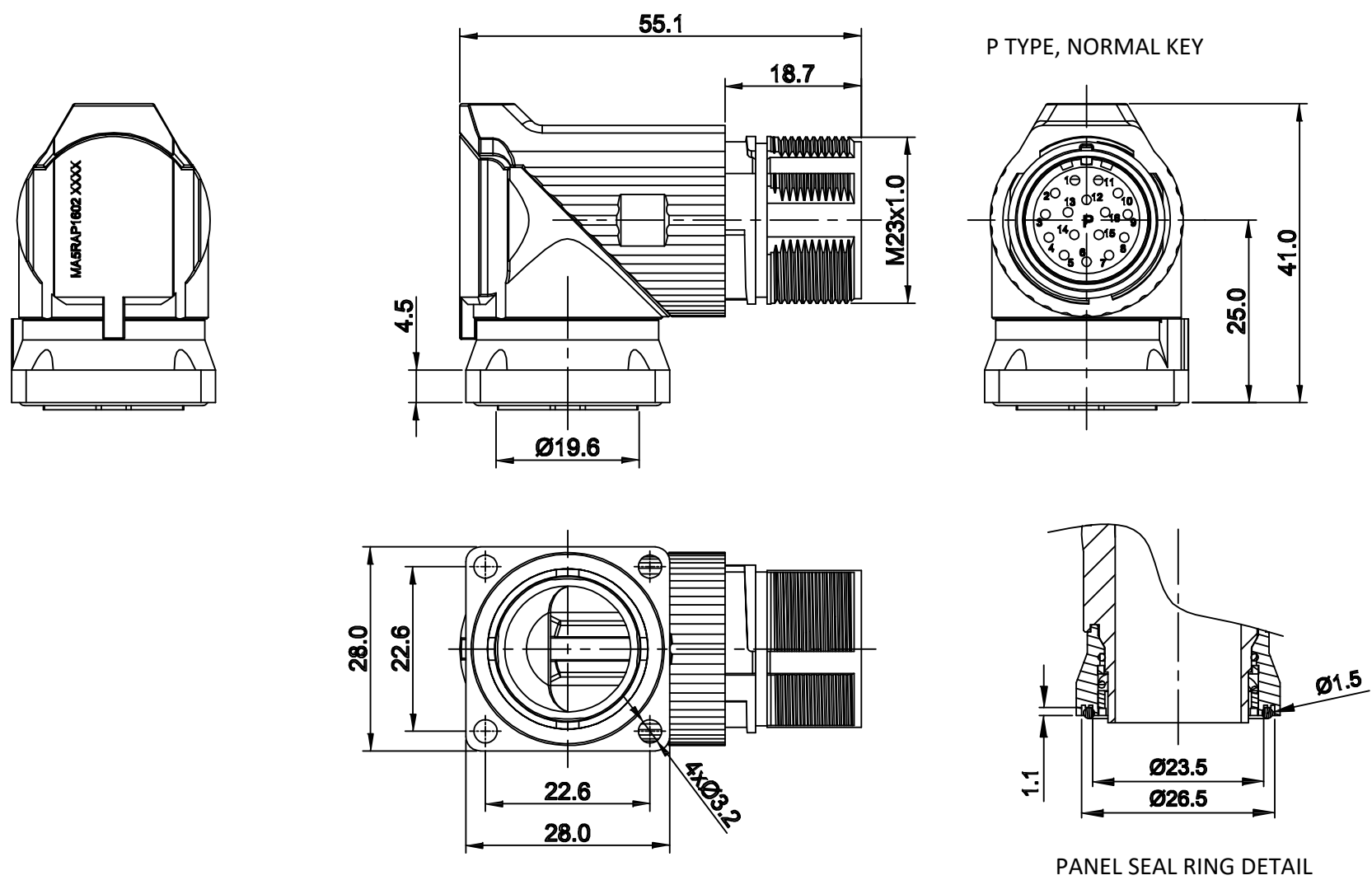


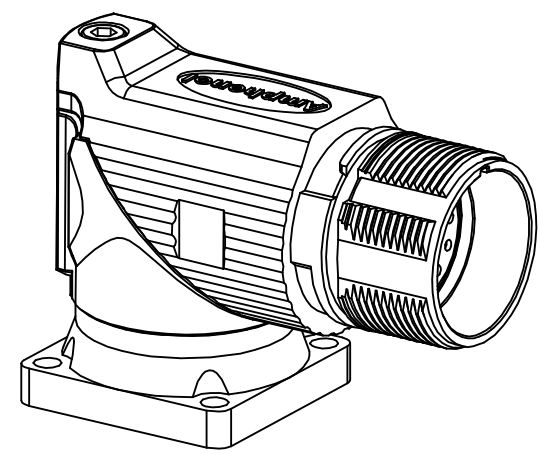
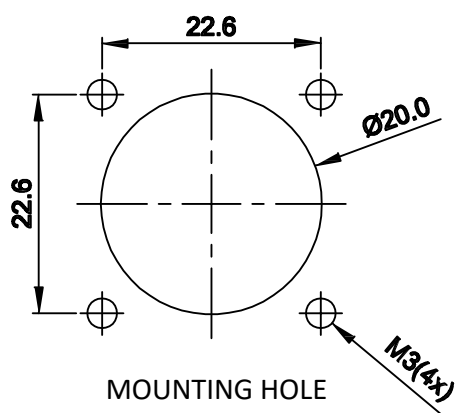
REVISIONS					
REV	ECO	DESCRIPTION	DATE	BY	APPR
A1	-	FIRST RELEASE	Oct.22,2015	Drack	Tommy
A2	-	Updated Drawing	Jun.20,2017	White	Tommy



NOTES: UNLESS OTHERWISE SPECIFIED

- MATERIAL:
 - INSULATION INSERT: PA66,UL94 V0
 - SEAL: VITON
 - HOUSING BODY: ZINC DIE CAST, NICKEL PLATED
- SPECIFICATIONS
 - 2.1 CURRENT RATING: 9 AMPS
 - 2.2 VOLTAGE RATING: 125 V AC/DC
 - 2.3 OPERATING TEMPERATURE: -20C TO +130C
 - 2.4 DIELECTRIC WITHSTANDING VOLTAGE: LESS THAN 2 MILLIAMPS CURRENT LEAKAGE @ 2500 VOLTS AC.
 - 2.5 DEGREE OF PROTECTION: IP67 (MATED CONDITION)
 - 2.6 DEGREE OF POLLUTION: 3 PER UL840
 - 2.7 OVERVOLTAGE CATEGORY: III PER UL840
 - 2.8 MATING CYCLE DURABILITY: >500 CYCLES
 - 2.9 RoHS COMPLIANT

3. ALL DIMENSIONS ARE FOR REFERENCE USE ONLY.



SEE PART NUMBER CHART		DESCRIPTION		ITEM						
QUANTITY	PART NUMBER	MATERIALS LIST								
<p>UNLESS OTHERWISE SPECIFIED</p> <p>1) All dimensions are in metric(mm).</p> <p>2) Tolerances are as follows:</p> <table border="0"> <tr> <td>1 PL DEC ±0.30</td> <td>Fractions ±1/84</td> </tr> <tr> <td>2 PL DEC ±0.15</td> <td>Angles ±1°</td> </tr> <tr> <td>3 PL DEC ±0.08</td> <td></td> </tr> </table> <p>3) Note reference = Δ</p>					1 PL DEC ±0.30	Fractions ±1/84	2 PL DEC ±0.15	Angles ±1°	3 PL DEC ±0.08	
1 PL DEC ±0.30	Fractions ±1/84									
2 PL DEC ±0.15	Angles ±1°									
3 PL DEC ±0.08										
<p>SIGNATURES</p> <p>DRAWN: White Jun.20.2017</p> <p>CHECKED: Tod Jun.20.2017</p> <p>ENGINEER:</p> <p>APPROVAL: Tommy Jun.20.2017</p>		<p>Amphenol</p> <p>Sine Systems - www.amphenol-sine.com 44724 Morley Drive Clinton Township, MI 48036</p>								
<p>MATERIAL SPECIFICATIONS:</p>		<p>CUSTOMER:</p> <p>M23A,REC.,RA,16P,P TYPE,CHECKMATE</p>								
<p>PROCESS SPECIFICATIONS:</p>		<p>THIS DRAWING IS SUPPLIED FOR INFORMATION ONLY. DESIGN FEATURES, SPECIFICATIONS AND PERFORMANCE DATA SHOWN HEREON ARE THE PROPERTY OF THE AMPHENOL CORPORATION. NO RIGHTS OF REPRODUCTION ARE IMPLIED. ALL DIMENSIONS ARE SUBJECT TO NORMAL MANUFACTURING VARIATIONS.</p>								
<p>NEXT ASSY:</p>		<p>SIZE: B C-</p>	<p>DWG NO: MA5RAP1602</p>	<p>REVISION: A2</p>						
		<p>SCALE: NONE</p>	<p>SHEET 1 OF 1</p>							

TITLE: M23A, REC., RA, 16P, P TYPE, CHECKMATE DWG NO: MA5RAP1602 REV: A2 SH: 1 OF: 1